



Audio

## B Series



### NC3FBV2

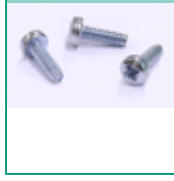
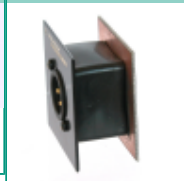
Same as A series with exception of a metal mounting flange featuring continuous circumferential ground contact to chassis for best EMC practice. UL recognized component.

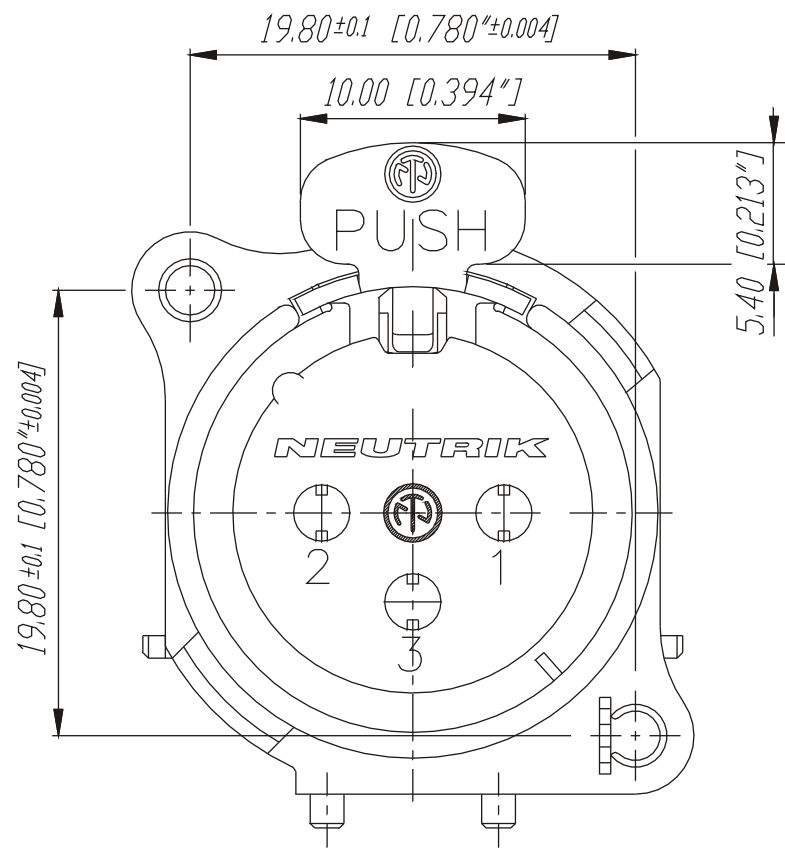
3 pole female XLR receptacle, grounding: separate ground contact to mating connector shell and front panel, vertical PCB mount

#### Features & Benefits

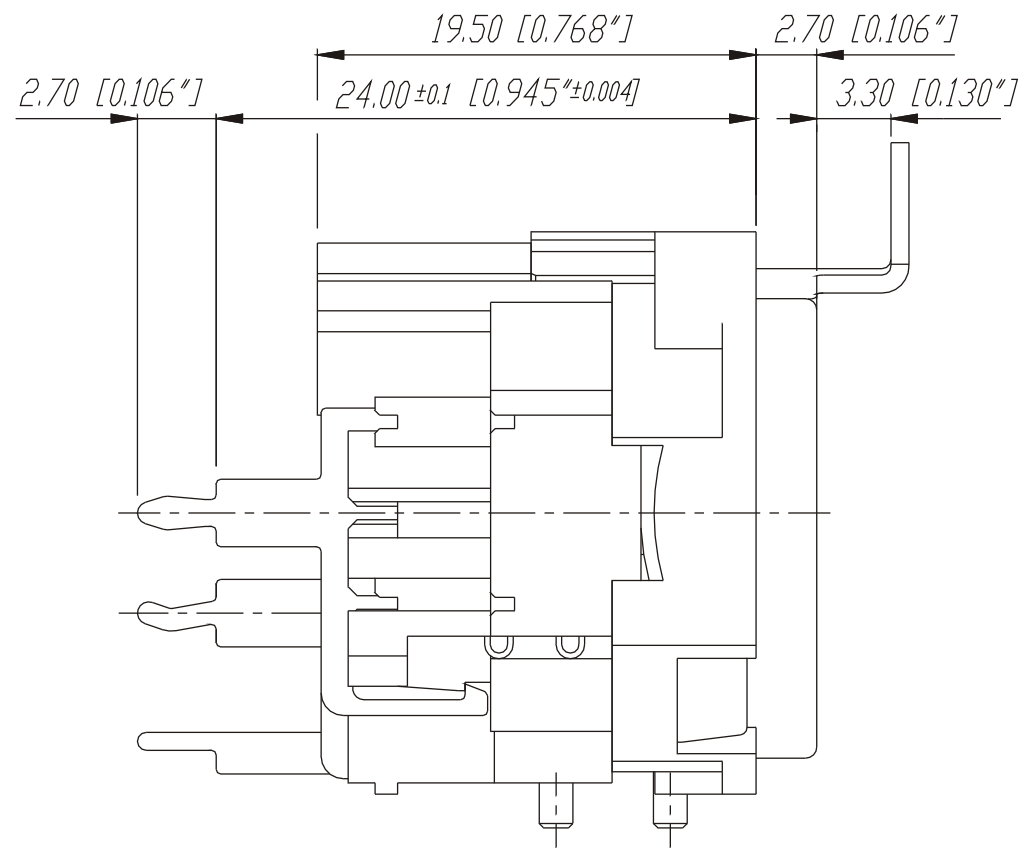
- Smallest XLR receptacles, highest packing density
- Metal mounting flange featuring continuous circumferential ground contact to chassis for best EMC and RF protection
- Fork type female contact
- Housing flammability UL94V-0

#### ACCESSORIES

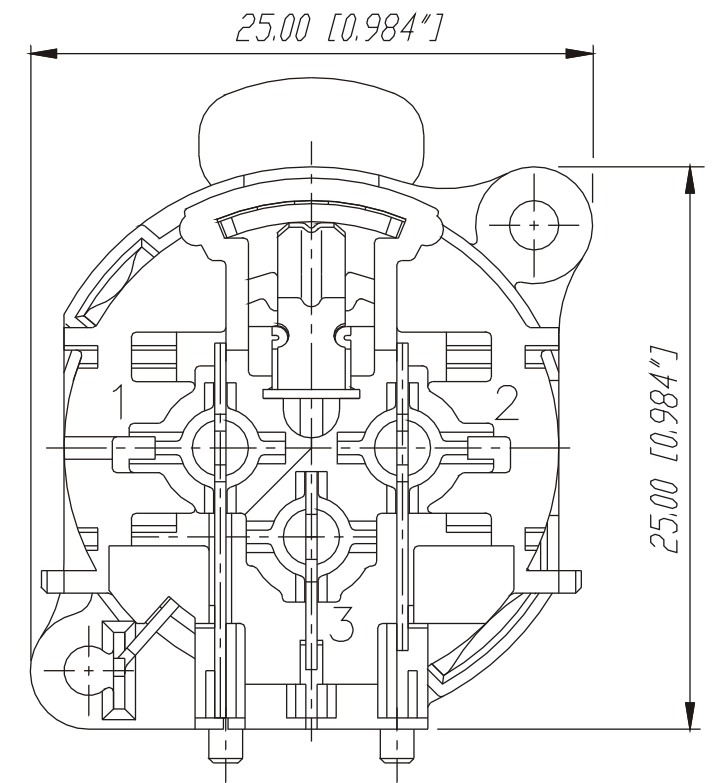
B-SCREW-1-8	SFAV
	



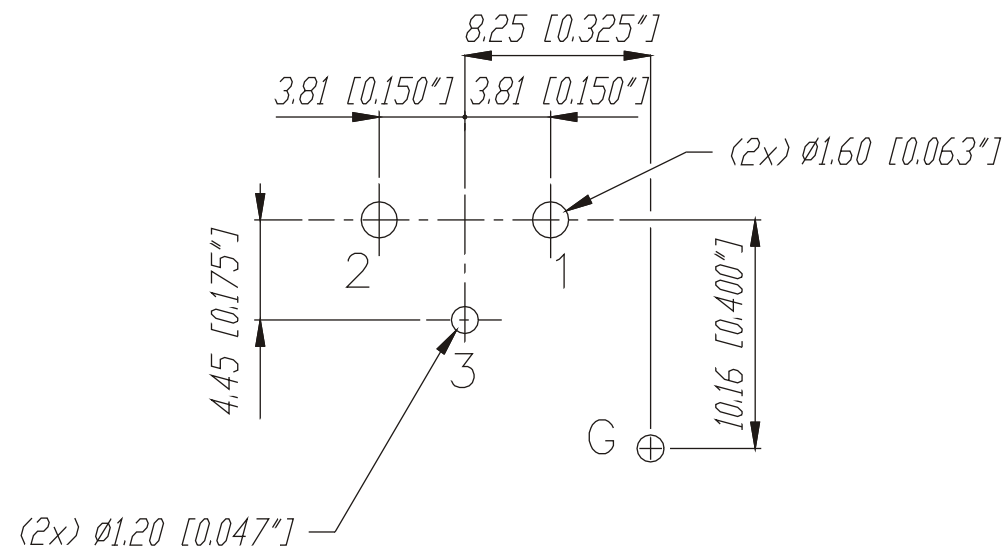
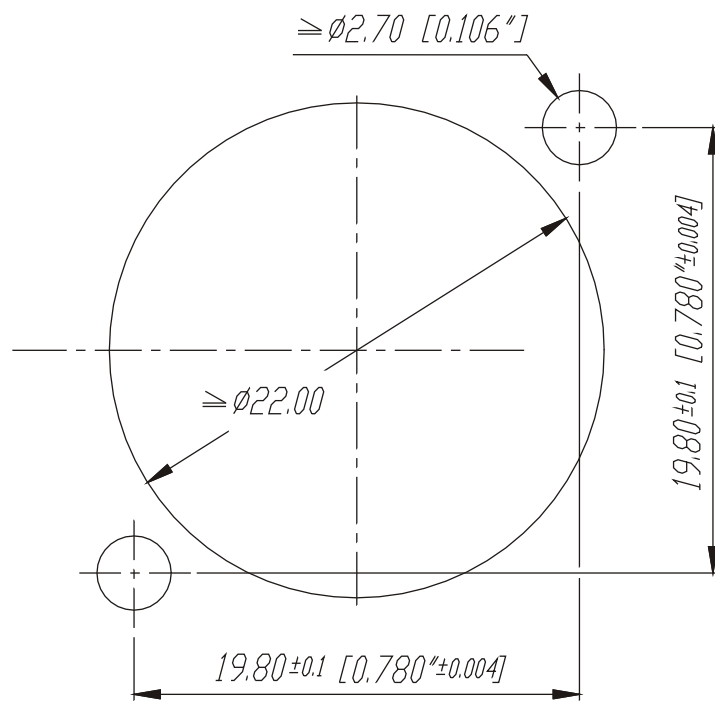
Frontplattenausschnitt (Rückseite)  
Panel cut out (rear side)



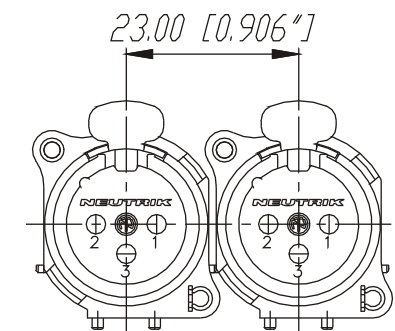
Print-Bohrplan (Bestückungsseite)  
PCB-Layout (component side)



min. Einbauabstand  
min assembling distance



Layout tolerance: ±0.05mm [0.002"]



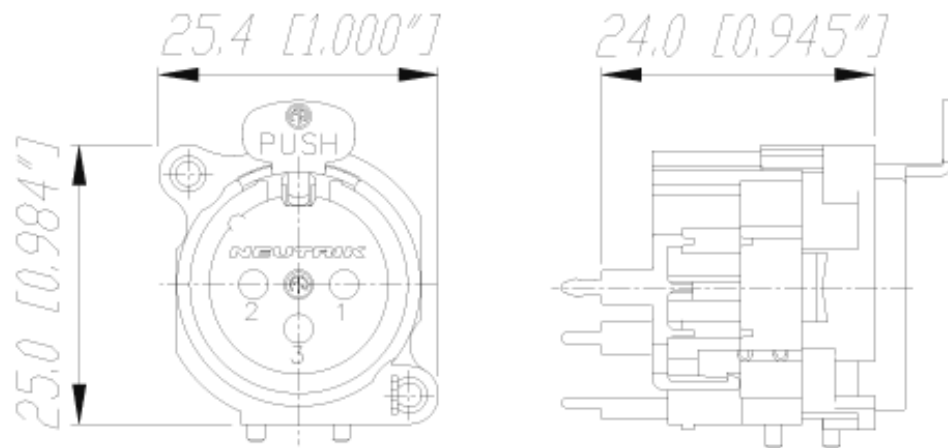
				Werkstoff:	Material:	Massstab:	Gezeichnet	Datum	Name
				Plastic:	Zytel FR 51	3:1		17.08.94	Dobler
				- UL94V-0		1:1	Geprueft		
				Zeichnung urheberrechtlich geschuetzt (DIN 34) (C)			Gesehen		
				Benennung:			Ersetzt durch:		Blatt
				NC3FBV2			Ersatz fuer:		von Blatt
A	Aktuell	08.11.95	Dobler				Zeichn. Nr.		3102 St 18 15
Ind.	Aenderung	Datum	Name	NEUTRIK AG FL-9494 SCHAAN					



Audio

## B Series

### NC3FBV2



There are no technical infos for this product.

#### Product

Connector Type	XLR
Gender	female

#### Electrical

Capacitance between contacts	$\leq 7$ pF
Contact resistance	$\leq 5$ m $\Omega$
Dielectric strength	1,5 kVdc
Insulation resistance	$> 2$ G $\Omega$ (initial)
Insulation resistance	$> 1$ G $\Omega$ (after damp heat test)
Rated current per contact	6 A
Rated voltage	50 V
Grounding options	Separate ground contact connected to mating connector shell and front panel, no connection to Pin 1

#### Mechanical

Insertion force	$\leq 20$ N
Withdrawal force	$\leq 20$ N
Lifetime	$> 1000$ mating cycles
Wiring	Vertical PCB mount
Locking device	latch lock
Mounting direction	rear

Chassis shape	B
Mounting	B-Screw
<b>Material</b>	
Contact plating	0.2 µm AuCo over 2 µm NIP15 (Tribor®)
Contacts	Bronze (CuSn6)
Insert	Polyamide (PA 6.6 25 % GR)
Locking element	Steel Ck67
Ring	Zinc diecast (ZnAl4Cu1)
Flange	Metal
<b>Environmental</b>	
Approvals	UL
Flammability	UL 94 V-0
Standard compliance	IEC 61076-2-103
Solderability	Complies with IEC 68-2-20
Temperature range	-30 °C to +80 °C
<b>Optical</b>	
<b>Mobile Cables</b>	