



NC3FBV1

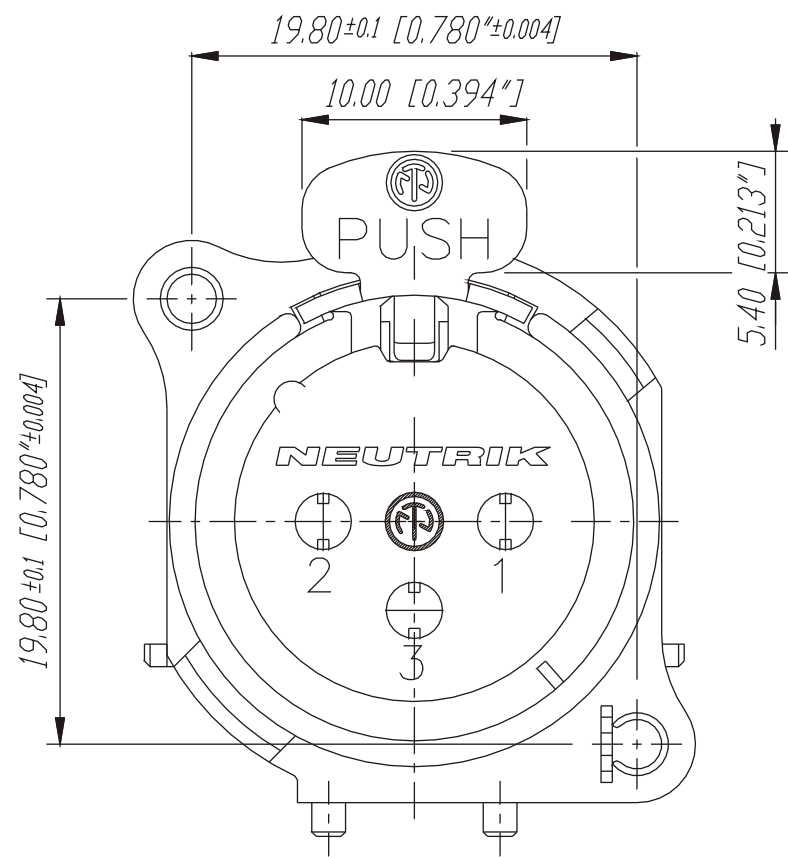
Same as A series with exception of a metal mounting flange featuring continuous circumferential ground contact to chassis for best EMC practice. UL recognized component.
3 pole female XLR receptacle, grounding: mating connector shell to pin1 and front panel, vertical PCB mount

Features & Benefits

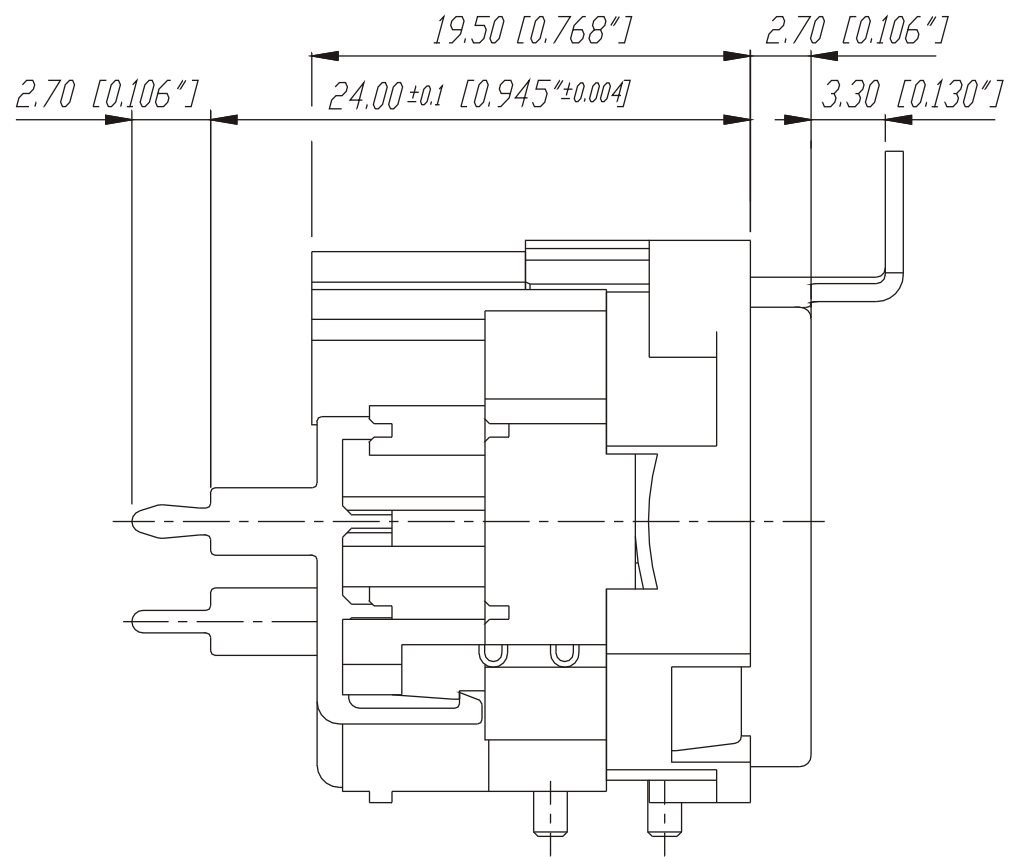
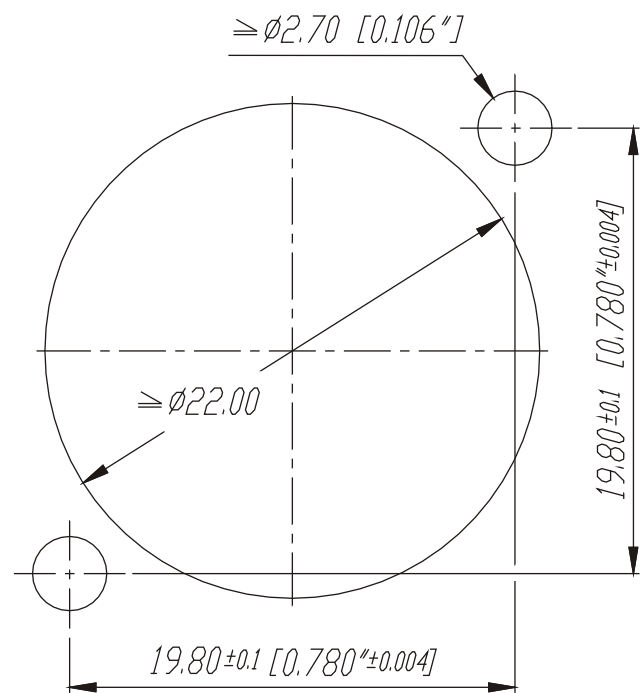
- Smallest XLR receptacles, highest packing density
- Metal mounting flange featuring continuous circumferential ground contact to chassis for best EMC and RF protection
- Fork type female contact
- Housing flammability UL94V-0

ACCESSORIES

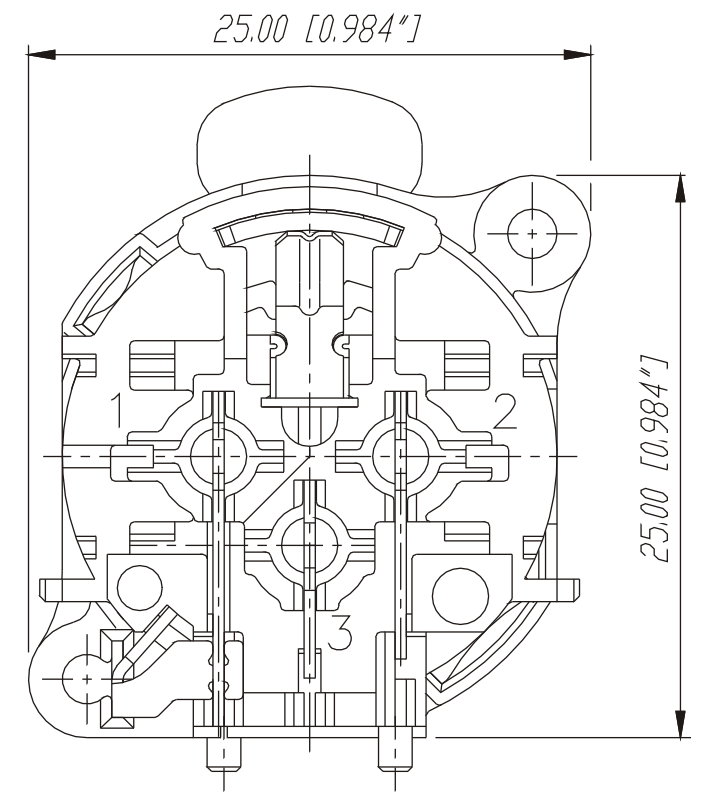
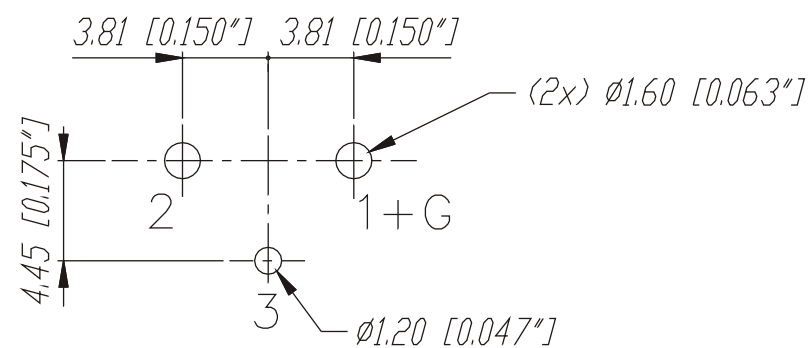
| B-SCREW-1-8 | SFAV |
|-------------|------|
| | |



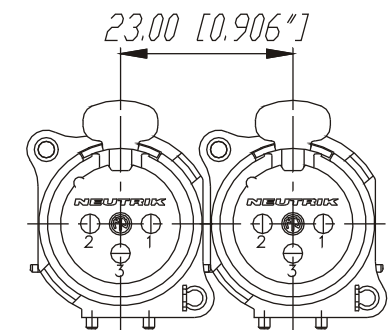
Frontplattenausschnitt (Rückseite)
Panel cut out (rear side)



Print-Bohrplan (Bestückungsseite)
PCB-Layout (component side)



min. Einbauabstand
min assembling distance



Layout tolerance: ±0.05mm [0.002 inches]

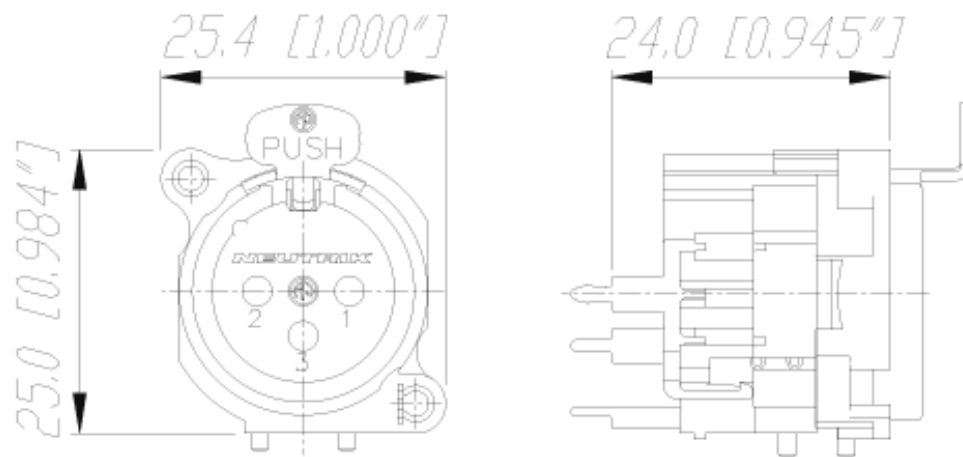
| | | | | Werkstoff: | Massstab: | Gezeichnet | Datum | Name |
|------|-----------|----------|--------|----------------------------------|-----------|---------------------------|----------|-----------|
| | | | | Plastic: | 3:1 | | 17.08.94 | Dobler |
| | | | | Zytel FR 51 | 1:1 | Geprueft | | |
| | | | | - UL 94V-0 | | Gesehen | | |
| | | | | Benennung: | | Ersetzt durch: | | Blatt |
| | | | | | | Ersatz fuer: | | von Blatt |
| A | Aktuell | 08.11.95 | Dobler | NC3FBV1 | | | | |
| Ind. | Aenderung | Datum | Name | NEUTRIK AG FL-9494 SCHAAN | | Zeichn. Nr. 3102 St 18 09 | | |



B Series

Audio

NC3FBV1



There are no technical infos for this product.

Product

| | |
|----------------|--------|
| Connector Type | XLR |
| Gender | female |

Electrical

| | |
|------------------------------|---|
| Capacitance between contacts | ≤ 7 pF |
| Contact resistance | ≤ 5 m Ω |
| Dielectric strength | 1,5 kVdc |
| Insulation resistance | > 2 G Ω (initial) |
| Insulation resistance | > 1 G Ω (after damp heat test) |
| Rated current per contact | 6 A |
| Rated voltage | 50 V |
| Grounding options | Pin 1 connected direct to front panel and connector shell, no separate ground contact |

Mechanical

| | |
|--------------------|------------------------|
| Insertion force | ≤ 20 N |
| Withdrawal force | ≤ 20 N |
| Lifetime | > 1000 mating cycles |
| Wiring | Vertical PCB mount |
| Locking device | latch lock |
| Mounting direction | rear |

| | |
|----------------------|---------------------------------------|
| Chassis shape | B |
| Mounting | B-Screw |
| Material | |
| Contact plating | 0.2 µm AuCo over 2 µm NIP15 (Tribor®) |
| Contacts | Bronze (CuSn6) |
| Insert | Polyamide (PA 6.6 25 % GR) |
| Locking element | Steel Ck67 |
| Ring | Zinc diecast (ZnAl4Cu1) |
| Flange | Metal |
| Environmental | |
| Approvals | UL |
| Flammability | UL 94 V-0 |
| Standard compliance | IEC 61076-2-103 |
| Solderability | Complies with IEC 68-2-20 |
| Temperature range | -30 °C to +80 °C |
| Optical | |
| Mobile Cables | |