



NC3FAH2

The `State of the Art` receptacle. Round plastic body XLR PCB mount panel connector. These have the smallest size and highest packing density (23mm between centres). New designed fork type contacts with hard gold plating and polished contact areas. UL recognized component.

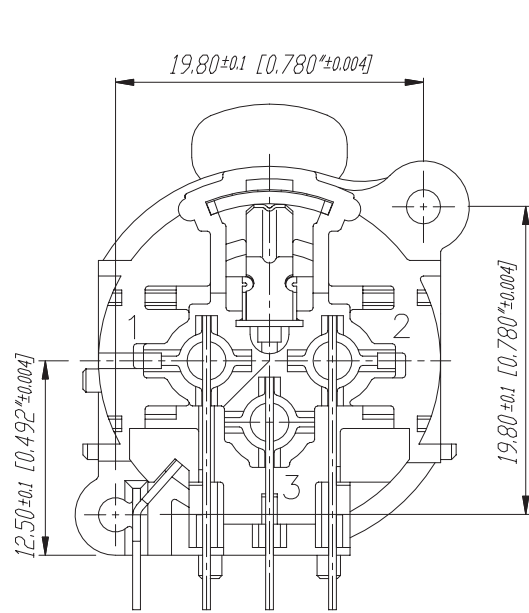
3 pole female XLR receptacle, grounding: separate ground contact to mating connector shell and front panel, horizontal PCB mount

Features & Benefits

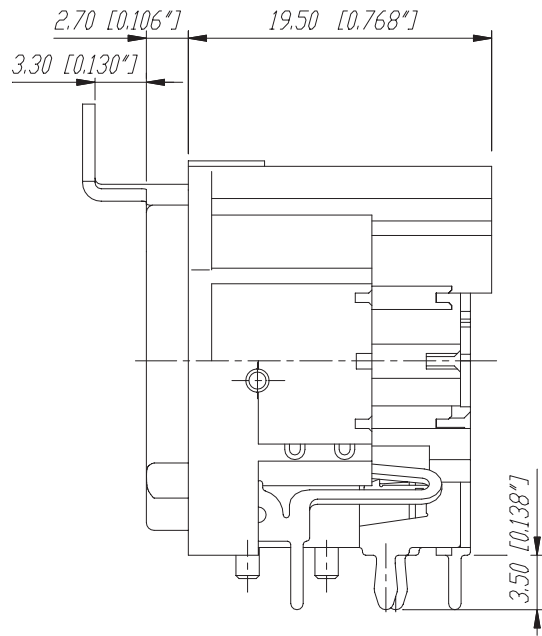
- Smallest XLR receptacles, highest packing density
- Plastic housing, steel latch lock
- Fork type female contact
- Polished contact areas and hard gold plating
- Housing flammability UL94V-0

ACCESSORIES

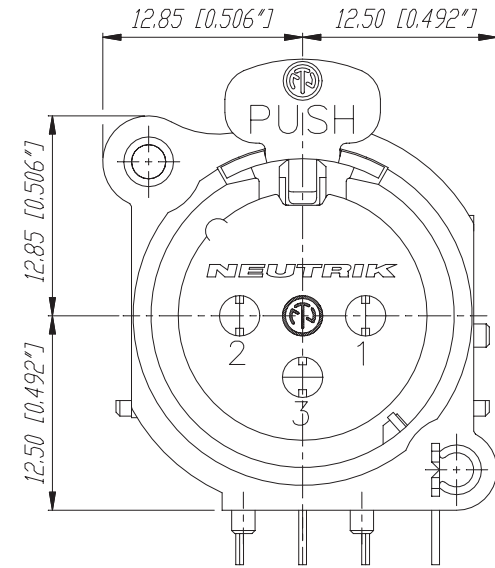
SCF	A-SCREW-1-8



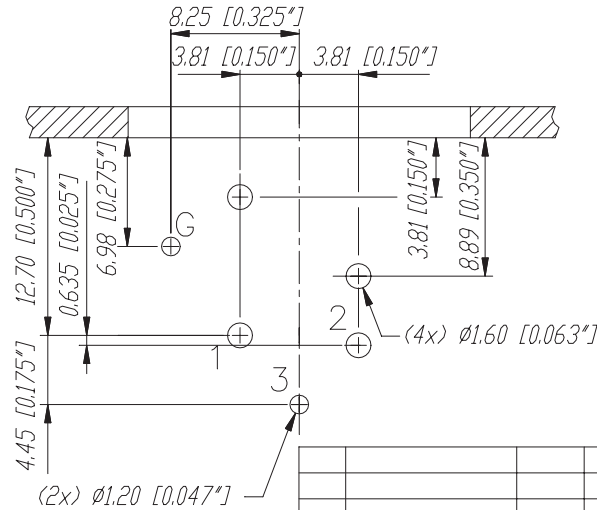
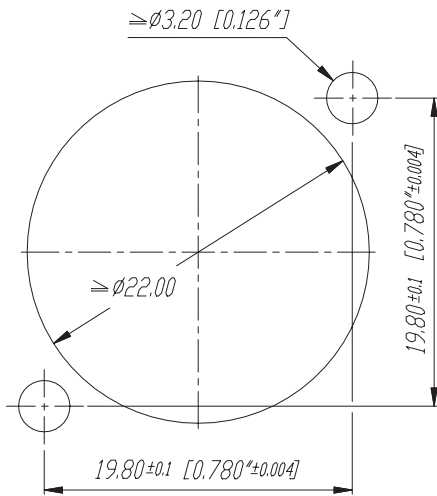
Frontplattenausschnitt (Rückseite)
Panel cut out (rear side)



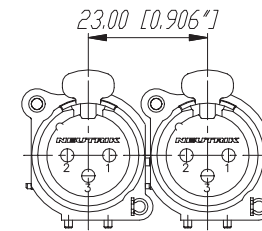
Print-Bohrplan (Bestückungsseite)
PCB-Layout (component side)



min. Einbauabstand
min assembling distance



Layout tolerance: ±0.05mm [0.002"]



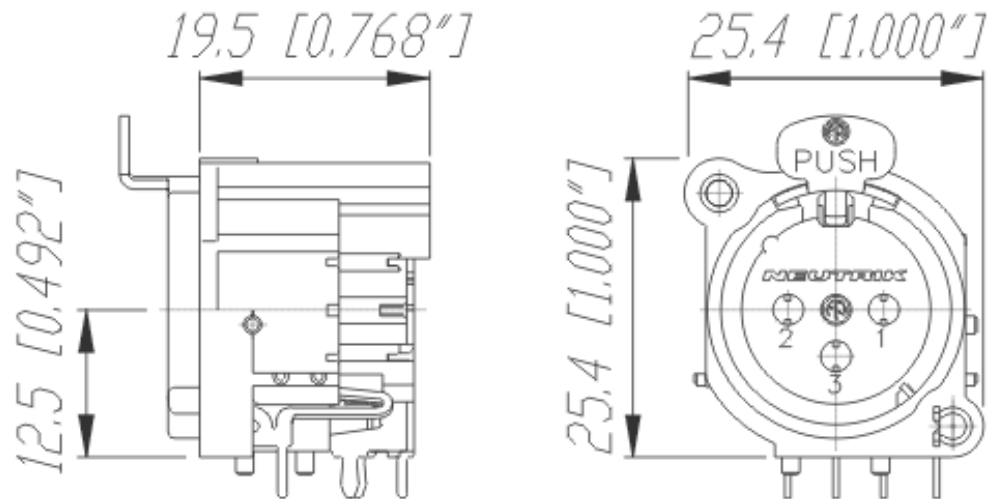
				Werkstoff:	Maßstab:	Gezeichnet	Datum	Name
				Plastic: Zytel FR 51 - UL94V-0	3:1 1:1	04.01.95	04.01.95	Dobler
						Zeichnung urheberrechtlich geschützt (DIN 34) (C)		Geprüft
				Benennung:		Ersetzt durch:		Blatt
				NC3FAH2		Ersetzt fuer:		von Blatt
A	Aktuell	09.11.95	Dobler			Zechn. Nr.		3102 St 18 21
Ind.	Aenderung	Datum	Name	NEUTRIK AG FL-9494 SCHAAN				



Audio

A Series

NC3FAH2



There are no technical infos for this product.

Product	
Connector Type	XLR
Gender	female
Electrical	
Capacitance between contacts	≤ 7 pF
Contact resistance	≤ 5 m Ω
Dielectric strength	1,5 kVdc
Insulation resistance	> 2 G Ω (initial)
Insulation resistance	> 1 G Ω (after damp heat test)
Rated current per contact	6 A
Rated voltage	50 V
Grounding options	Separate ground contact connected to mating connector shell and front panel, no connection to Pin 1
Mechanical	
Insertion force	≤ 20 N
Withdrawal force	≤ 20 N
Lifetime	> 1000 mating cycles
Wiring	Horizontal PCB mount

Locking device	latch lock
Mounting direction	rear
Chassis shape	A
Mounting	A-Screw

Material

Contact plating	0.2 µm AuCo over 2 µm NiP15 (Tribor®)
Contacts	Bronze (CuSn6)
Insert	Polyamide (PA 6.6 25 % GR)
Locking element	Steel Ck67
Flange	Black Plastic

Environmental

Approvals	UL
Flammability	UL 94 V-0
Standard compliance	IEC 61076-2-103
Solderability	Complies with IEC 68-2-20
Temperature range	-30 °C to +80 °C

Optical

Mobile Cables