



## NC3FAH1

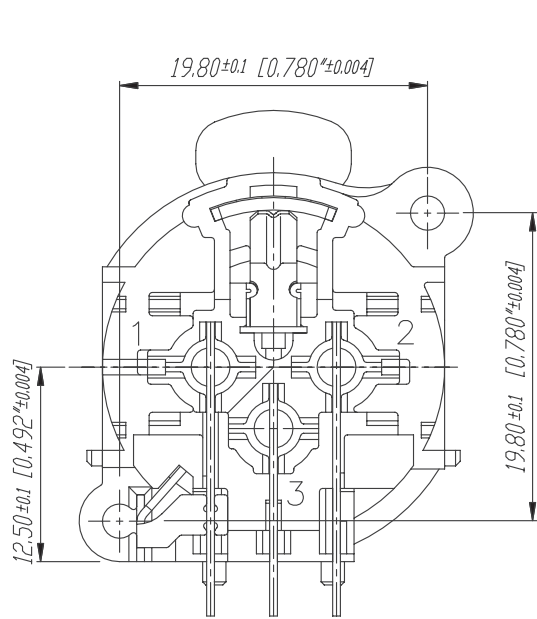
The `State of the Art` receptacle. Round plastic body XLR PCB mount panel connector. These have the smallest size and highest packing density (23mm between centres). New designed fork type contacts with hard gold plating and polished contact areas. UL recognized component.  
3 pole female XLR receptacle, grounding: mating connector shell to pin1 and front panel, horizontal PCB mount

### Features & Benefits

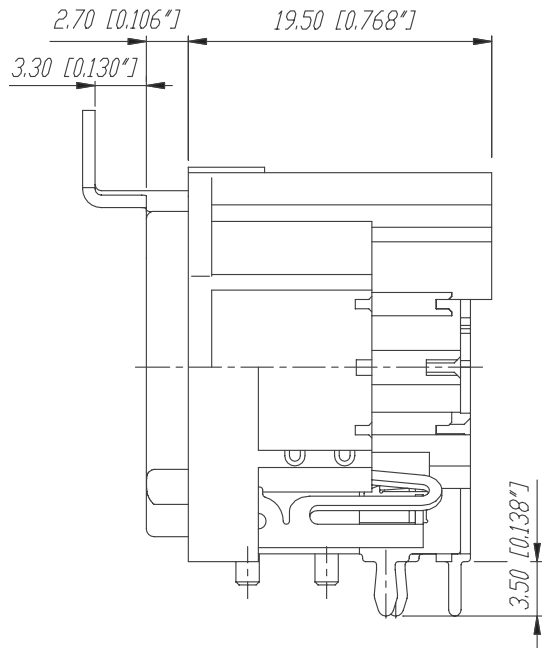
- Smallest XLR receptacles, highest packing density
- Plastic housing, steel latch lock
- Fork type female contact
- Polished contact areas and hard gold plating
- Housing flammability UL94V-0

### ACCESSORIES

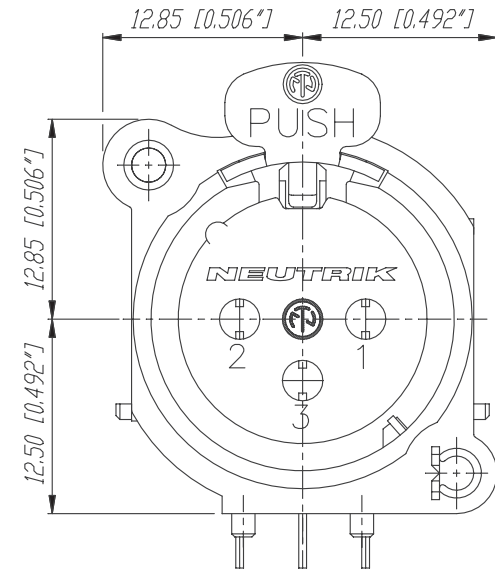
SCF	A-SCREW-1-8



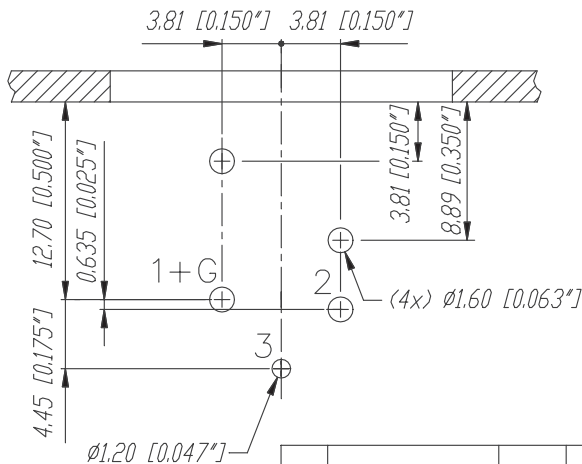
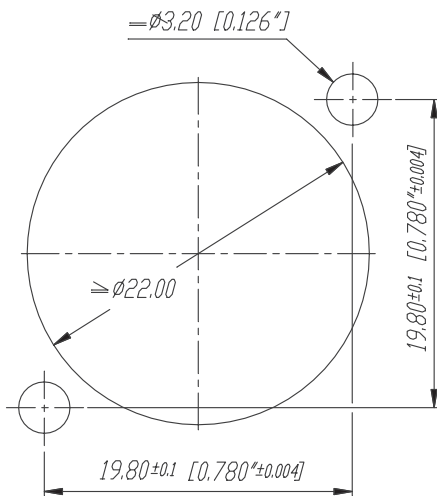
Frontplattenausschnitt (Rückseite)  
Panel cut out (rear side)



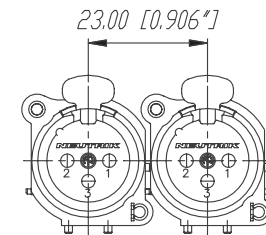
Print-Bohrplan (Bestückungsseite)  
PCB-Layout (component side)



min. Einbauabstand  
min assembling distance



Layout tolerance: ±0.05mm [0.002\"]



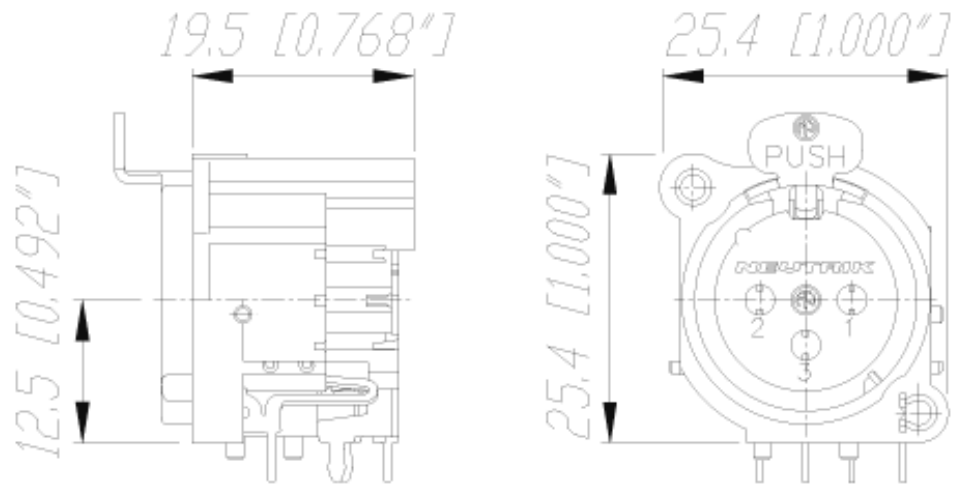
					Werkstoff: Plastic: Zytel FR 51 - UL 94V-0	Maßstab: 3:1 1:1	Gezeichnet 17.11.94	Datum	Name Dobler
					Zeichnung urheberrechtlich geschuetzt (DIN 34) (C)		Geprueft		
					Benennung: <b>NC3FAH1</b>		Gesehen		
							Ersetzt durch:		Blatt
							Ersetzt fuer:		von Blatt
A	Aktuell	09.11.95	Dobler		<b>NEUTRIK AG</b>	FL-9494 SCHAAN	Zeichn. Nr.	3102 St 18 18	
Ind.	Aenderung	Datum	Name						



Audio

## A Series

### NC3FAH1



There are no technical infos for this product.

#### Product

Connector Type	XLR
Gender	female

#### Electrical

Capacitance between contacts	$\leq 7$ pF
Contact resistance	$\leq 5$ m $\Omega$
Dielectric strength	1,5 kVdc
Insulation resistance	$> 2$ G $\Omega$ (initial)
Insulation resistance	$> 1$ G $\Omega$ (after damp heat test)
Rated current per contact	6 A
Rated voltage	50 V
Grounding options	Pin 1 connected direct to front panel and connector shell, no separate ground contact

#### Mechanical

Insertion force	$\leq 20$ N
Withdrawal force	$\leq 20$ N
Lifetime	$> 1000$ mating cycles
Wiring	Horizontal PCB mount
Locking device	latch lock

Mounting direction	rear
Chassis shape	A
Mounting	A-Screw

### Material

Contact plating	0.2 µm AuCo over 2 µm NiP15 (Tribor®)
Contacts	Bronze (CuSn6)
Insert	Polyamide (PA 6.6 25 % GR)
Locking element	Steel Ck67
Flange	Black Plastic

### Environmental

Approvals	UL
Flammability	UL 94 V-0
Standard compliance	IEC 61076-2-103
Solderability	Complies with IEC 68-2-20
Temperature range	-30 °C to +80 °C

### Optical

### Mobile Cables