



NC3MBV

Same as A series with exception of a metal mounting flange featuring continuous circumferential ground contact to chassis for best EMC practice. UL recognized component.

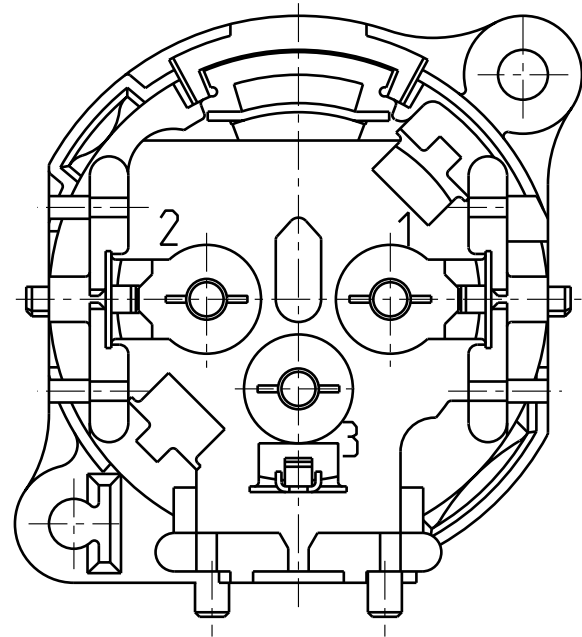
3 pole male XLR receptacle, grounding: without ground/shell contact, steel retention lug, vertical PCB mount

Features & Benefits

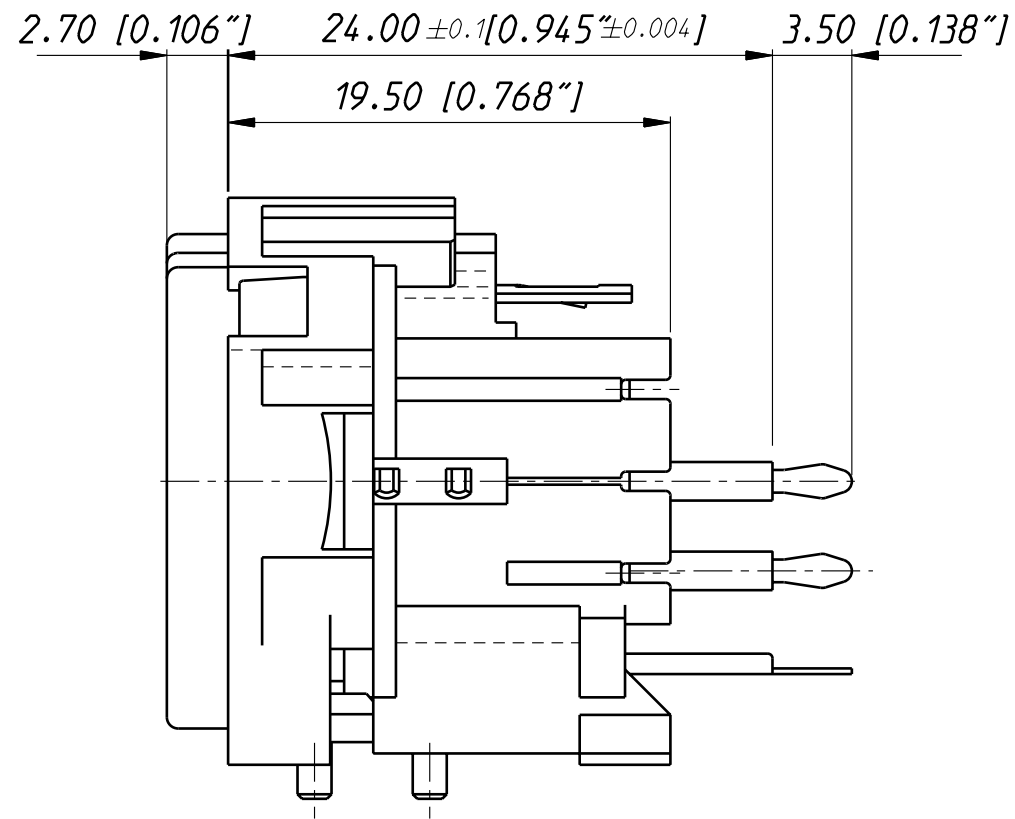
- Smallest XLR receptacles, highest packing density
- Metal mounting flange featuring continuous circumferential ground contact to chassis for best EMC and RF protection
- Housing flammability UL94V-0

ACCESSORIES

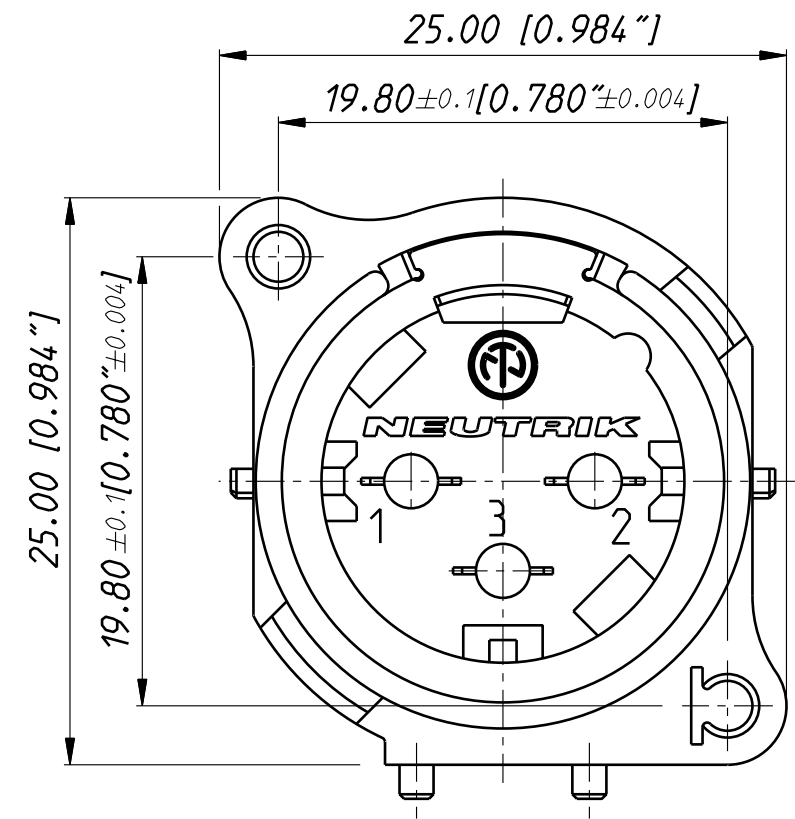
B-SCREW-1-8	SFAV
	



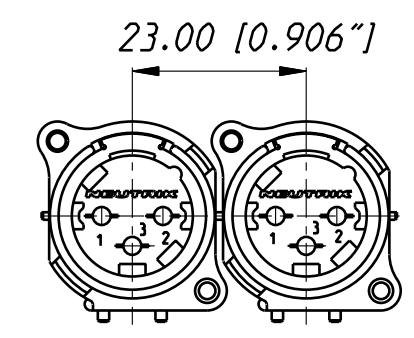
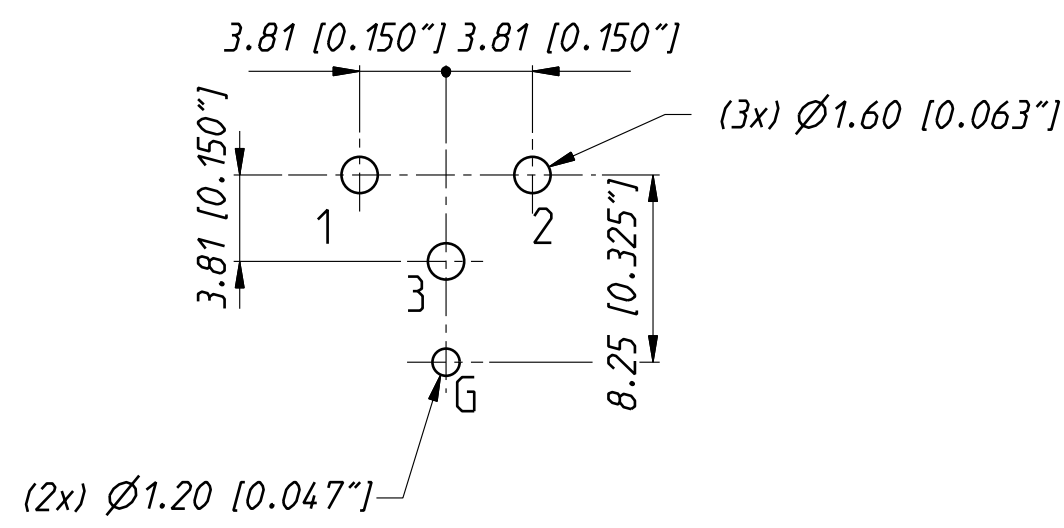
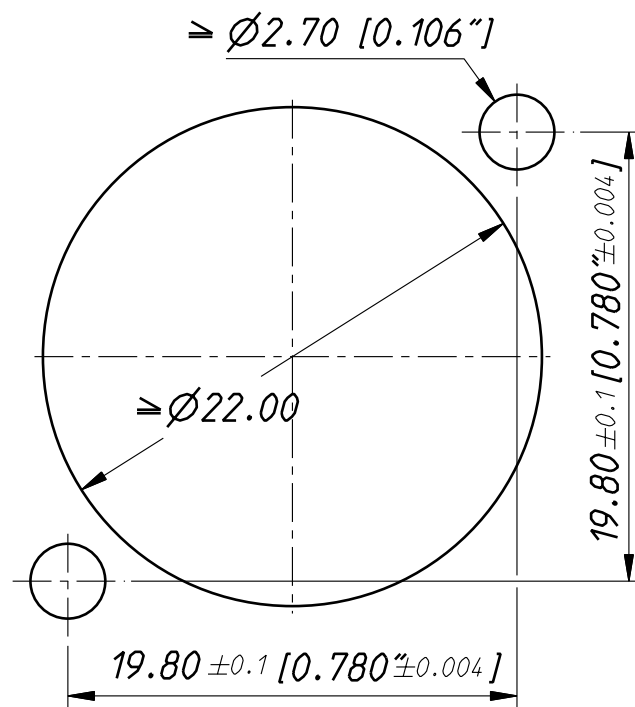
Frontplattenausschnitt (Rückseite)
Panel cut out (rear side)



Print-Bohrplan (Bestückungsseite)
PCB-Layout (component side)



min. Einbauabstand
min assembling distance



Layout tolerance: ±0.05mm [0.002"]

Allgemeintoleranzen ISO 2768-m	Werkstoff Plastic: *** -UL94V-0	Massstab: 1:1 (A3)	Gezeichnet	Datum	Name
			Freigegeben	20.12.96	Dobler
Zeichnung urheberrechtlich geschuetzt (DIN 34) (C)			Geaendert	13.09.07	Dobler
			Aend.-Nr. 234-2005		Aend.-Index A
Benennung NC 3MBV			Ersatz fuer:	Blatt 1 von 1 Bl.	
NEUTRIK AG FL-9494 SCHAAN			Zeichn. Nr.	NC 3MBV	



Audio

B Series

NC3MBV

There are no technical infos for this product.

Product	
Connector Type	XLR
Gender	male
Electrical	
Capacitance between contacts	≤ 7 pF
Contact resistance	≤ 5 m Ω
Dielectric strength	1,5 kVdc
Insulation resistance	> 2 G Ω (initial)
Insulation resistance	> 1 G Ω (after damp heat test)
Rated current per contact	6 A
Rated voltage	50 V
Grounding options	Separate ground contact connected to mating connector shell and front panel, no connection to Pin 1
Mechanical	
Insertion force	≤ 20 N
Withdrawal force	≤ 20 N
Lifetime	> 1000 mating cycles
Wiring	Vertical PCB mount
Locking device	latch lock
Mounting direction	rear
Chassis shape	B
Mounting	B-Screw
Material	
Contact plating	0.2 μ m AuCo over 2 μ m NiP15 (Tribor®)
Contacts	Brass (CuZn35Pb2)
Insert	Polyamide (PA 6.6 30 % GR)
Locking element	Steel Ck67
Ring	Zinc diecast (ZnAl4Cu1)
Flange	Metal
Environmental	
Approvals	UL
Flammability	UL 94 V-0
Standard compliance	IEC 61076-2-103
Solderability	Complies with IEC 68-2-20
Temperature range	-30 °C to +80 °C
Optical	
Mobile Cables	