



## NAUSB

Due to the rising digitisation the interface problems between audio/video networks, IT equipment, MP3 camcorders, etc. increase. Neutrik's reversible USB gender changer, mounted in the standardized D-shape housing, solves this problem.

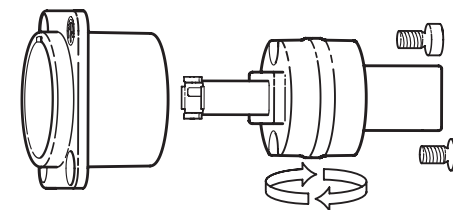
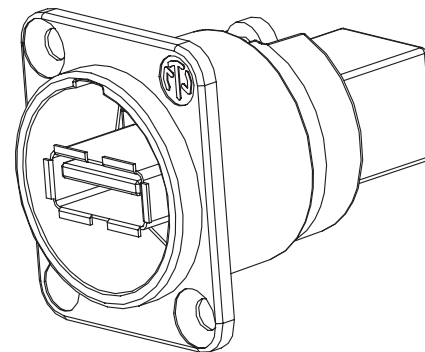
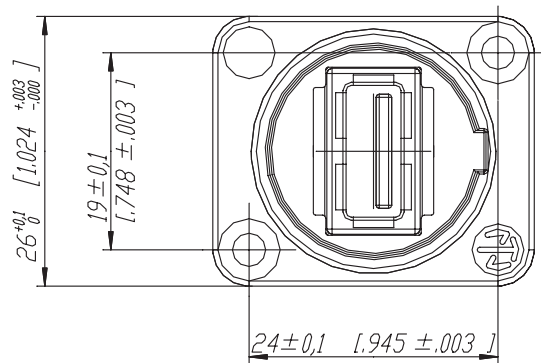
Reversible USB genderchanger (type A and B), Nickel D-housing

### Features & Benefits

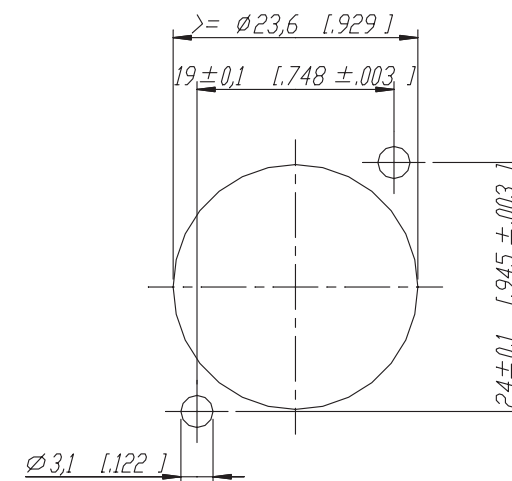
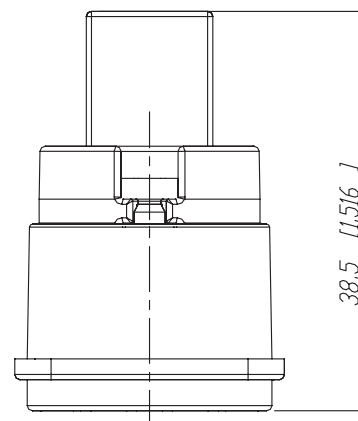
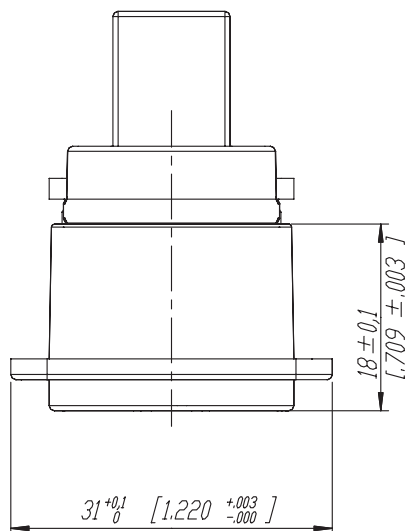
- Ideal for audio networking and integration of computerbased equipment into audio systems
- USB gender changer type A-B (B-A)
- Reversible insert offering type A or B on front or rear end
- Universally accepted standard D-shape housing

### ACCESSORIES





Frontplattenschnitt (Rückseite)  
Panel cut out (rear side)

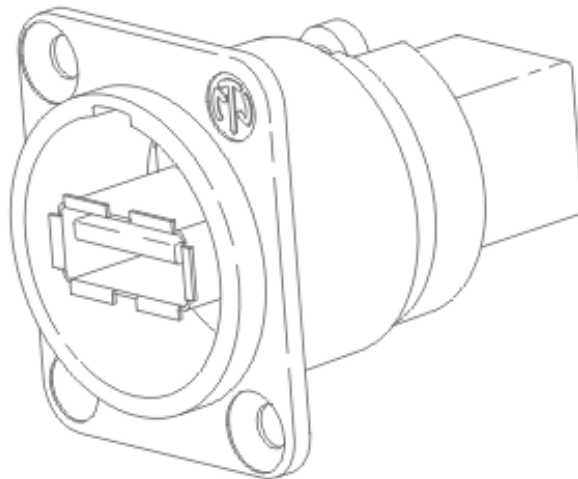


Allgemeintoleranzen ISO 2768-m	Werkstoff	Maßstab:	Datum	Name	
Zeichnung urheberrechtlich geschützt (DIN 34) (C)	-	2:1	Gezeichnet	25.06.04	Dobler
	-	(A3)	Freigegeben	-	-
	-	-	Geändert	-	-
Benennung			Änd.-Nr.	Änd.-Index	
NAUSB			-	-	
Feed Through			Ersatz fuer:	Blatt 1 von 1 Bl.	
NEWTRONIK AG FL-9494 SCHAAN			Zeichn. Nr.	ST-NAUSB	



# USB

## NAUSB



There are no technical infos for this product.

Product	
Connector Type	USB
Gender	female
Electrical	
Contact resistance	< 30 m $\Omega$ (mated pair)
Dielectric strength	0,5 kVdc (1 min)
Insulation resistance	> 1 G $\Omega$
Rated current per contact	1,5 A
Rated voltage	< 30 V ac
Mechanical	
Insertion force	< 35 N
Withdrawal force	> 10 N
Lifetime	> 1500 mating cycles
Mounting direction	front
Chassis shape	D
Material	
Contact plating	Au
Contacts	CuZn36