



- Home
- About Us
- Products
- Support
- News
- Sample Request
- Sitemap



[back](#)

[Print](#)

## NAC3MPA



Air tight chassis connector, A-type for power-in, flat tab terminals

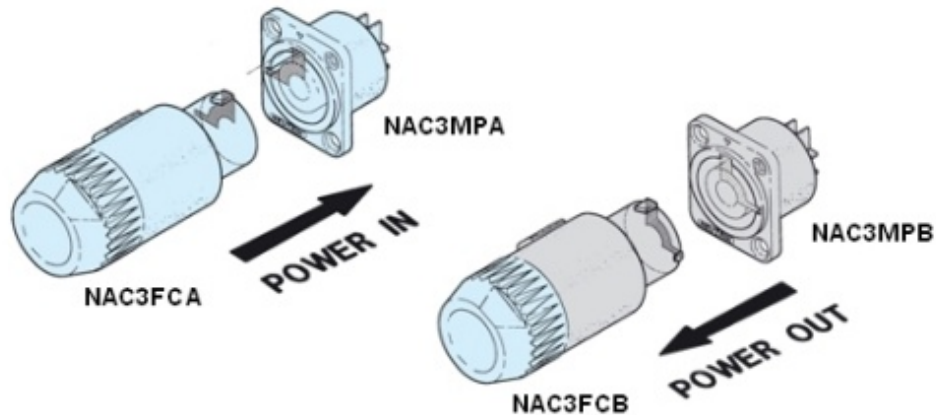
The PowerCon® is a locking 3 conductor equipment AC connector with contacts for line, neutral and pre-mating ground contact. It replaces appliance couplers wherever a very rugged solution in combination with a locking device is needed in order to guarantee a save power connection.

**Attention:** The PowerCon® is a connector without breaking capacity, i.e. the PowerCon® should not be connected or disconnected under load or live!

[Search](#)

[Products only](#)

© Neutrik® AG  
All rights reserved  
Legal Notices

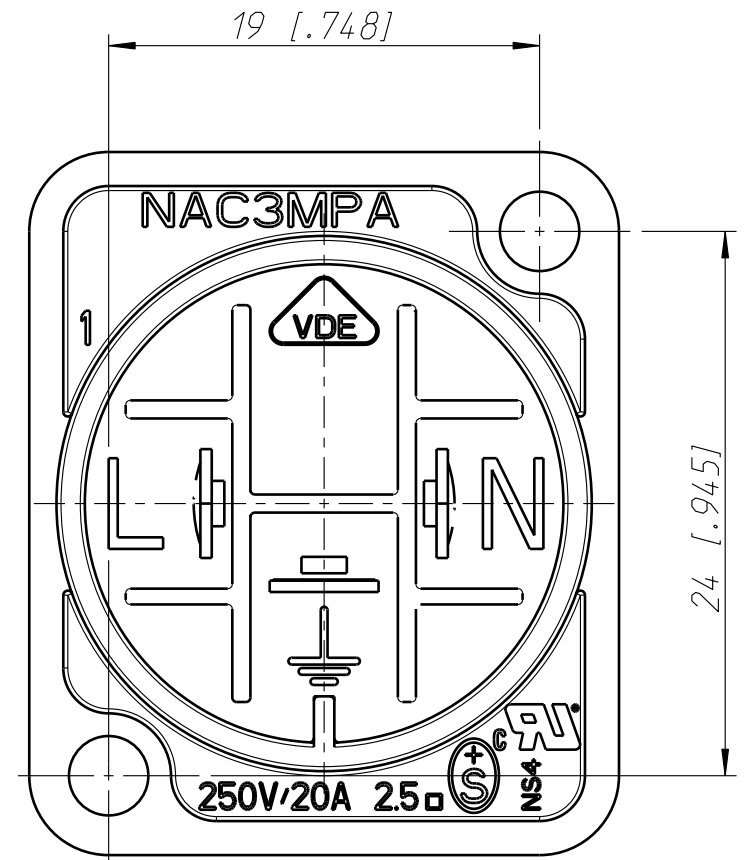
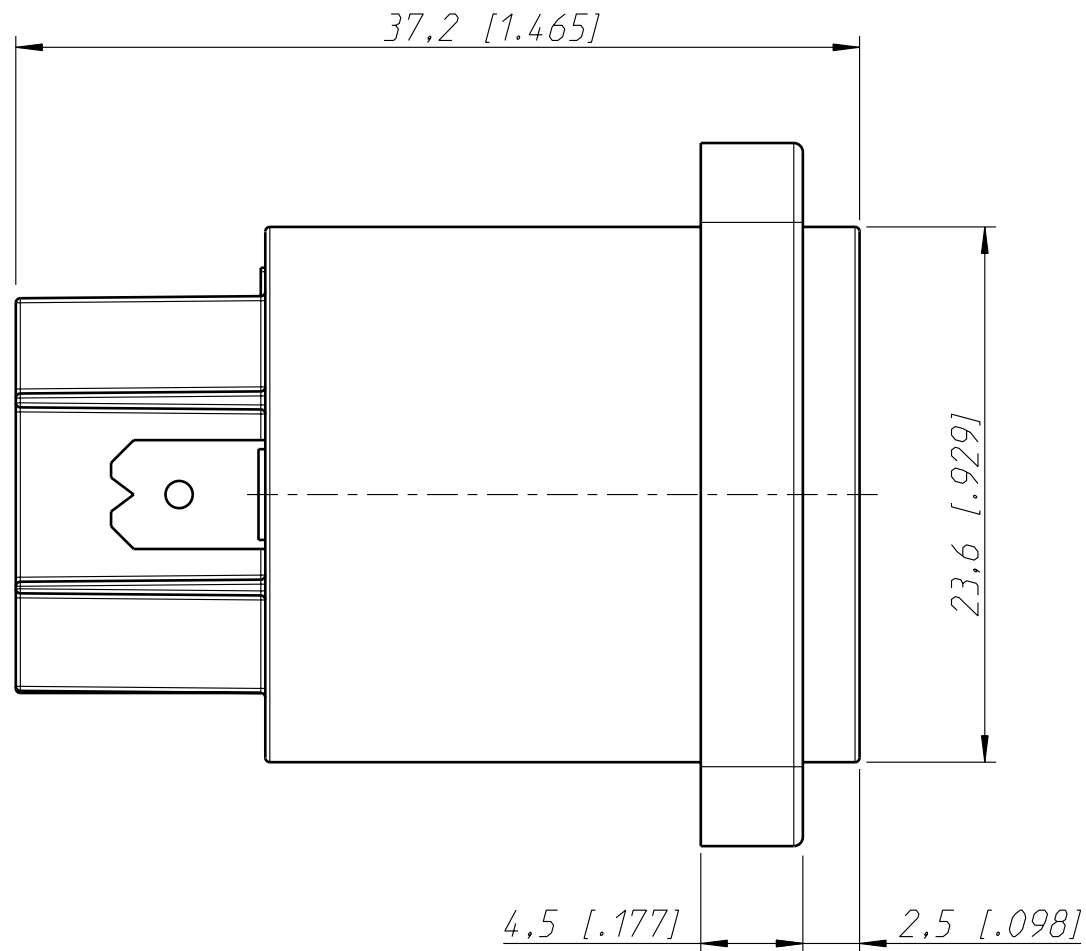
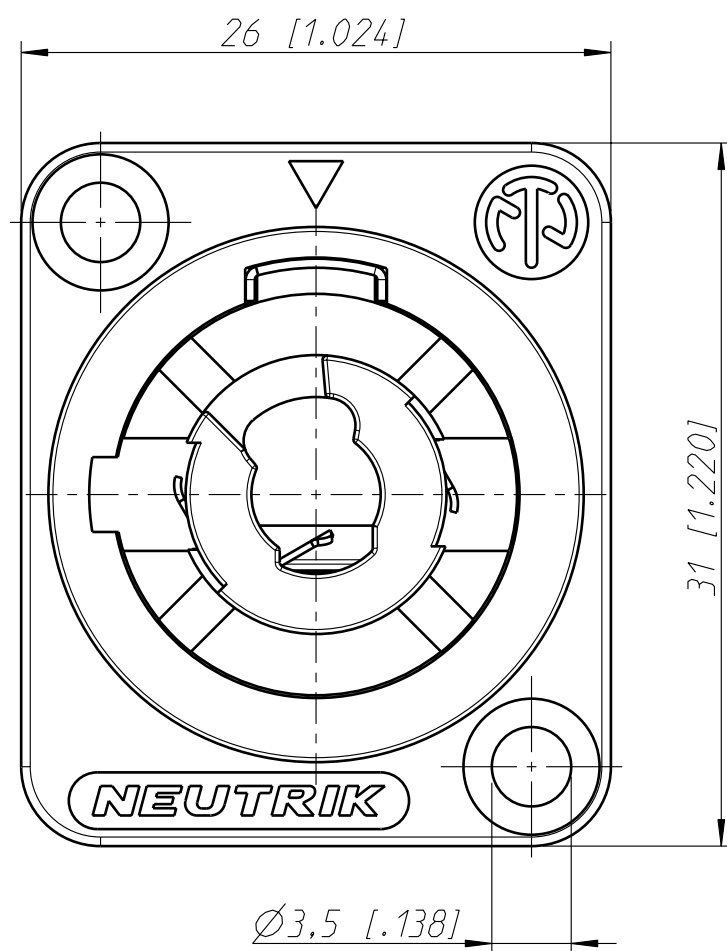


## Features & Benefits

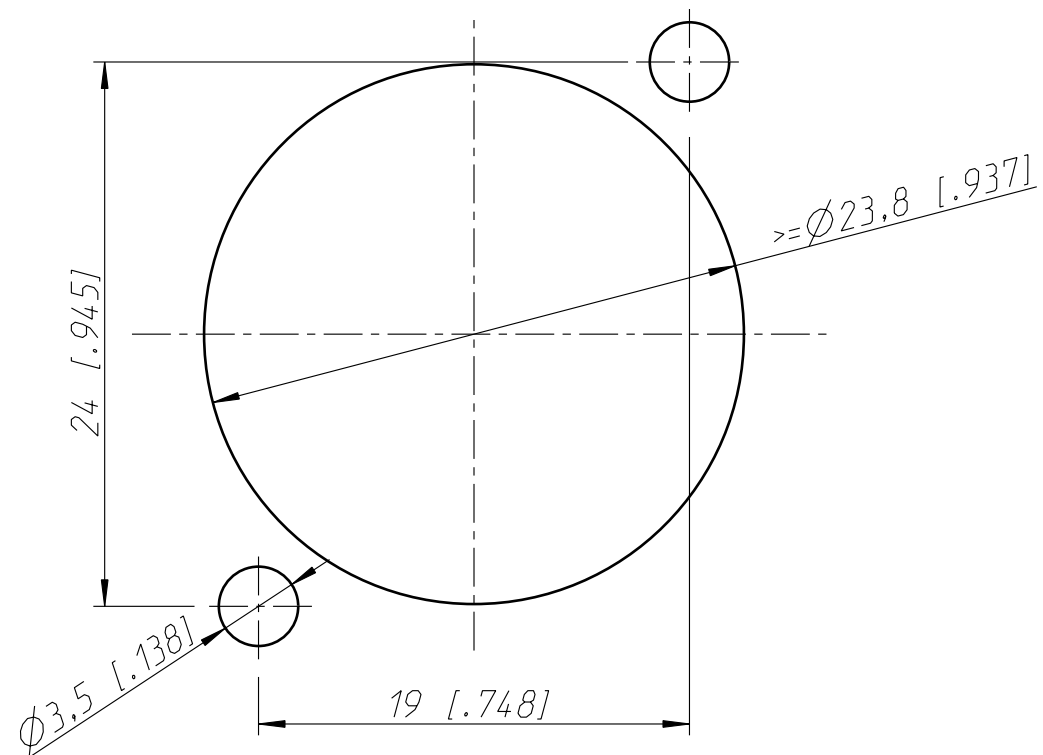
- Lockable 3-pole equipment (AC) connector with contacts for line, neutral and pre-mating safety ground.
- High current capacity, rated at 20A / 250V ac
- Fast and easy locking system
- Extremely robust and reliable
- Excellent cable retention
- UL, C-UL recognized components
- VDE and SEV approved

## ACCESSORIES

MFD	SCDR	SCDX	SCL
			



Frontplattenausschnitt (Rueckseite)  
Panel cut out (rear side)

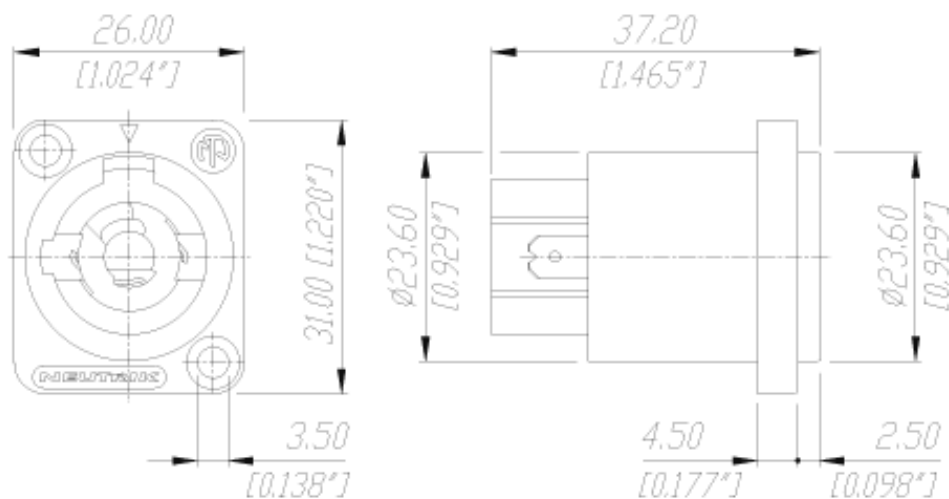


Allgemeintoleranzen ISO 2768-m	Werkstoff	Massstab:	Datum	Name	
Zeichnung urheberrechtlich geschuetzt (DIN 34) (C)	-	3:1 (A3)	Gezeichnet	24.11.04	Mijatovic
			Freigegeben	-	-
			Geaendert	24.03.06	Mijatovic
Benennung			Aend.-Nr.	Aend.-Index	
NAC3MPA NAC3MPA			92-2006	A	
NEUTRIK AG FL-9494 SCHAAN			Ersatz fuer: 3102ST2003	Blatt 1 von 1 Bl.	
			Zeichn. Nr.	ST-NAC3MPA	



## PowerCon® 20 Amp

### NAC3MPA



There are no technical infos for this product.

<b>Product</b>	
Connector Type	PowerCon
Gender	male
<b>Electrical</b>	
Contact resistance	≤ 3 mΩ
Dielectric strength	4 kVdc
Insulation resistance	> 0.1 GΩ (after damp heat test IEC 68-2-30)
Rated current per contact	20 A
Rated voltage	250 V
<b>Mechanical</b>	
Lifetime	> 1000 mating cycles
Wiring	flat tabs for FASTON® 4.8 x 0.5 mm or soldering
Locking device	Quick Lock
Mounting direction	front
Chassis shape	D
<b>Material</b>	
Contact plating	4 μm Ag
Contacts	Brass (CuZn39Pb3)
Locking element	Steel Ck67
Shell	Polyamide (PA 6 30 % GR)
<b>Environmental</b>	
Approvals	UL,VDE,Electroswiss
Flammability	UL 94 HB
Protection class	IP 20 (mated)
Safety requirements	EN/IEC 61984
Solderability	Complies with IEC 68-2-20
Temperature range	-30 °C to +80 °C
<b>Optical</b>	
<b>Mobile Cables</b>	
Coding	A-type for power inlet (color coding blue)