

[Home](#)[About Us](#)[Products](#)[Support](#)[News](#)[Sample Request](#)[Sitemap](#)[Search](#)[Products only](#)[© Neutrik® AG](#)[All rights reserved](#)[Legal Notices](#)

PowerCon® 32 Amp

[back](#)[Print](#)

NAC3MP-HC



PowerCon® 32 Amp chassis connector

The 32 Amp PowerCon is an extremely robust and reliable locking single phase AC appliance cable connector for high current capacity (32 A rated). It is conceived as a non-standardized 3 pole connection system without breaking capacity to serve the needs of high power distribution systems and supplies for professional audio and lighting equipment and installations. The connectors comprise of contacts for phase, neutral and protective earth (ground) conductors rated for currents up to 32 A and for voltages up to 250V.

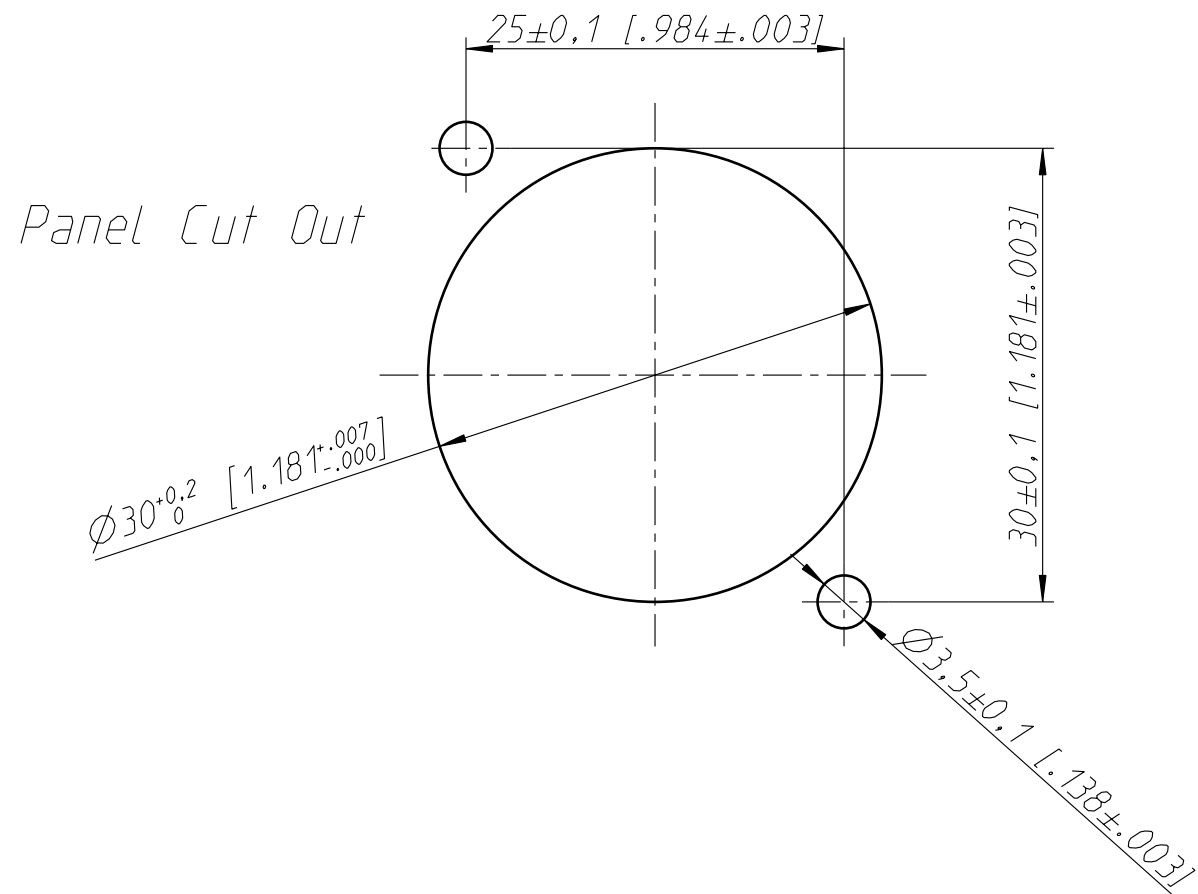
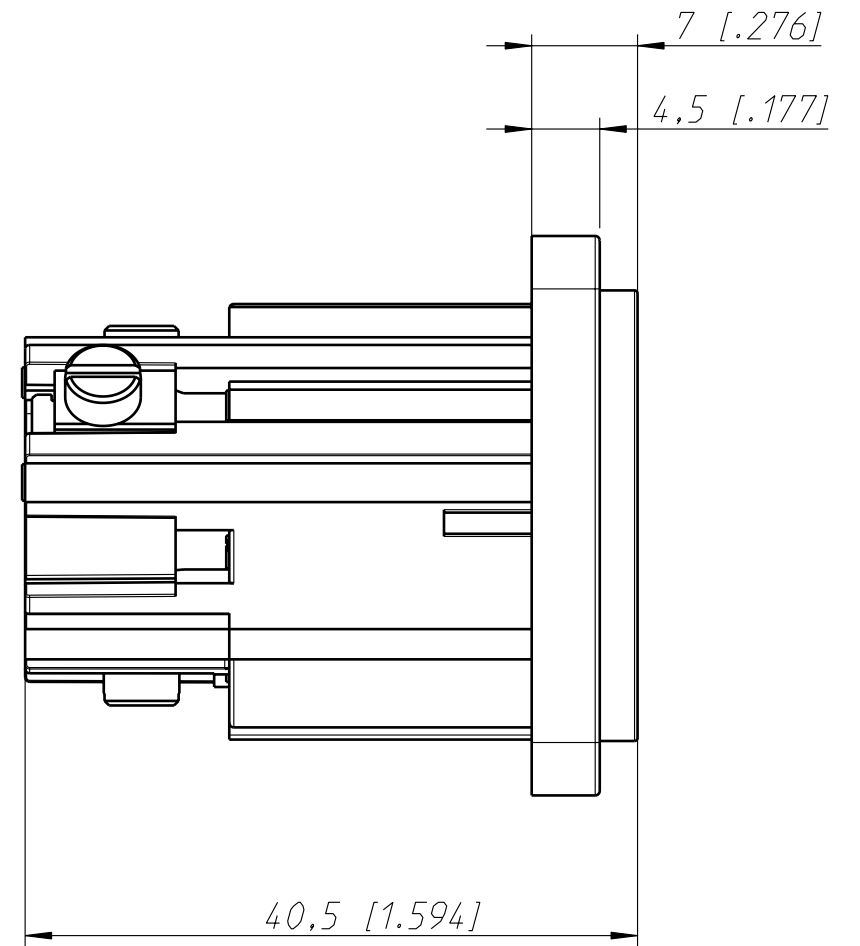
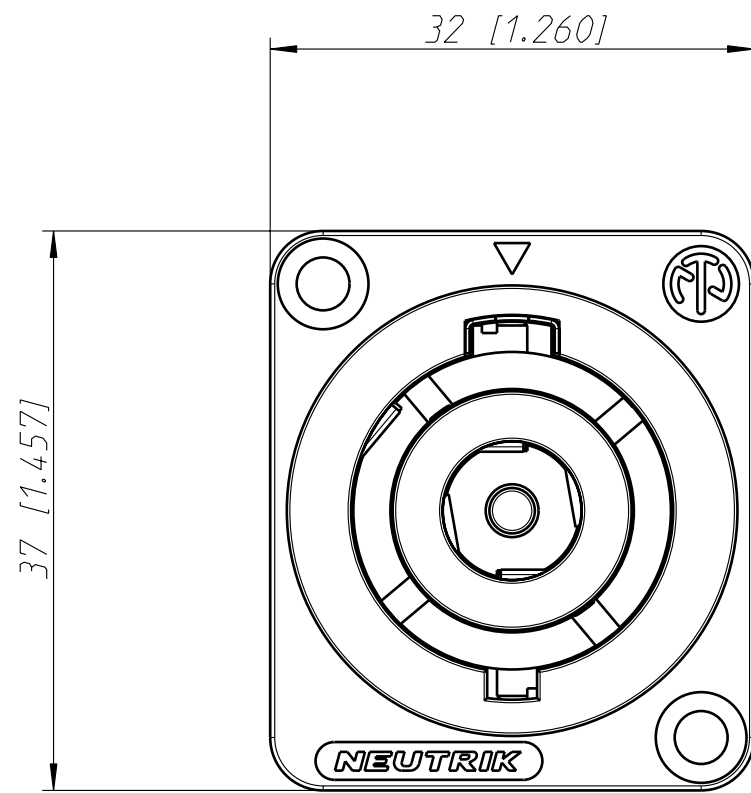
Features & Benefits

- 250 V ac, 32 Amp single-phase (for ambient temperatures up to 35°C)
- Premating contact for protective earth
- Fast and easy locking system to prevent unintentional disengagement
- Cable O.D. Range: 8 - 20 mm
- Wiring with screw-type terminals for wires 2.5 to 6.0 mm² (AWG 14 - 10)
- Excellent cable handling and protection
- Extremely robust and reliable
- VDE, UL, cUL and JET approved

ACCESSORIES

SCL





Allgemeintoleranzen ISO 2768-m	Werkstoff KEIN_MAT	Massstab: 2:1 (A3)	Gezeichnet	Datum	Name
			Freigegeben	13.06.06	Hofmann Th.
Zeichnung urheberrechtlich geschuetzt (DIN 34) (C)	-	-	Geändert	-	-
			Aend.-Nr.	-	Aend.-Index -
Benennung - NAC3MP-HC			Ersatz fuer:	Blatt 1 von 1 Bl.	
NEUTRIK AG FL-9494 SCHAAN			Zeichn. Nr.	ST-NAC3MP-HC	



PowerCon® 32 Amp

NAC3MP-HC

There are no technical infos for this product.

Product

Connector Type	PowerCon
Gender	male

Electrical

Contact resistance	≤ 3 mΩ
Dielectric strength	4 kVdc
Insulation resistance	> 10 GΩ (initial)
Rated current per contact	32 A (30A for cUL)
Rated voltage	250 V

Mechanical

Lifetime	> 1000 mating cycles
Wire size	2.5 - 6 mm ²
Wire size	14 - 10 AWG
Wiring	screw type terminals
Locking device	Quick Lock
Mounting direction	front & rear

Material

Contact plating	4 μm Ag
Contacts	Bronze (CuSn0.2)
Locking element	Steel Ck67
Shell	Polyamide (PA 6.6 25 % GR)

Environmental

Approvals	UL,VDE,JET
Flammability	UL 94 V-0
Protection class	IP 20 (mated)
Safety requirements	EN/IEC 61984
Solderability	Complies with IEC 68-2-20
Temperature range	-25 °C to +70 °C

Optical

Mobile Cables