



Audio

BA Series



NC5FBH

The BA Series is the more economical version of the B Series with circumferential metal flange featuring EMC and RF shielding and mechanical robustness.

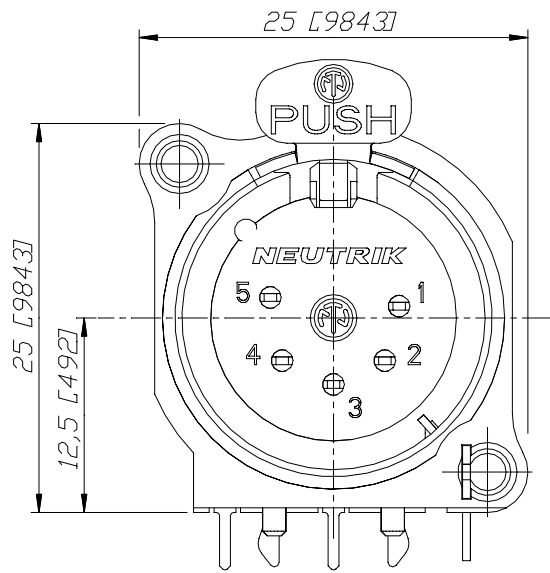
5 pole female XLR receptacle, grounding: without ground / shell contact, horizontal PCB mount

Features & Benefits

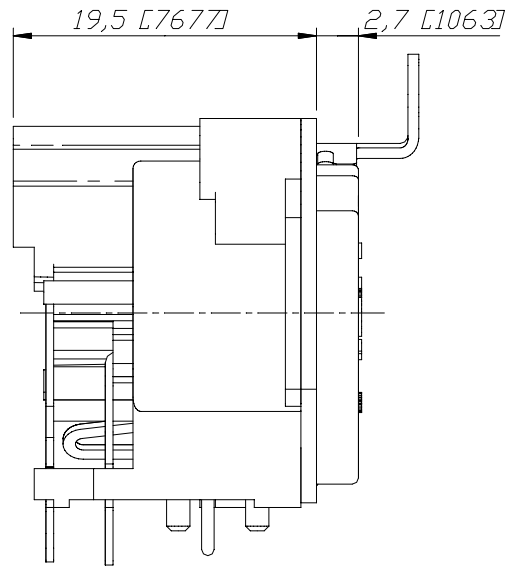
- More economical version of B Series, same size and featuring highest packing density
- Metal mounting flange featuring continuous circumferential ground contact to chassis for best EMC and RF protection
- Fork type female contact

ACCESSORIES

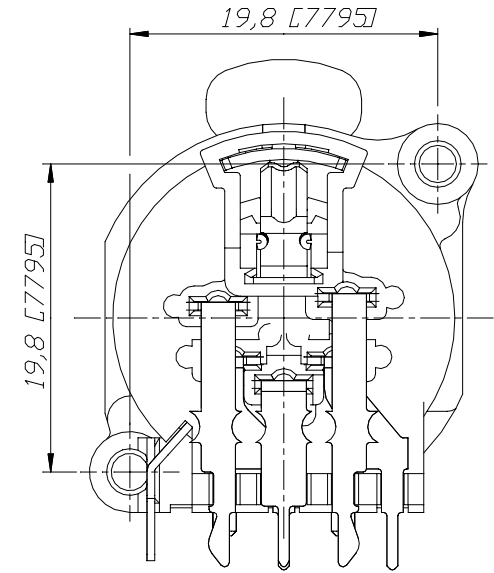
ACRF-*	A-SCREW-1-8
	



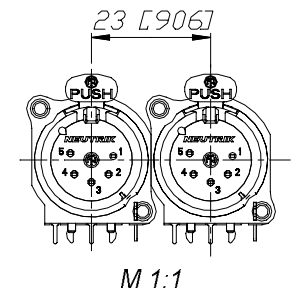
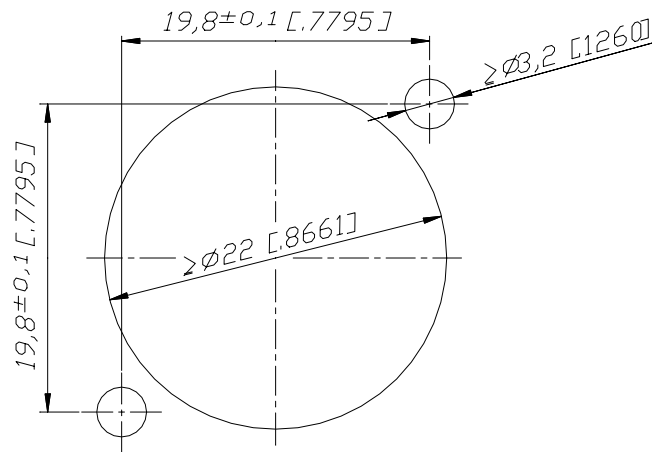
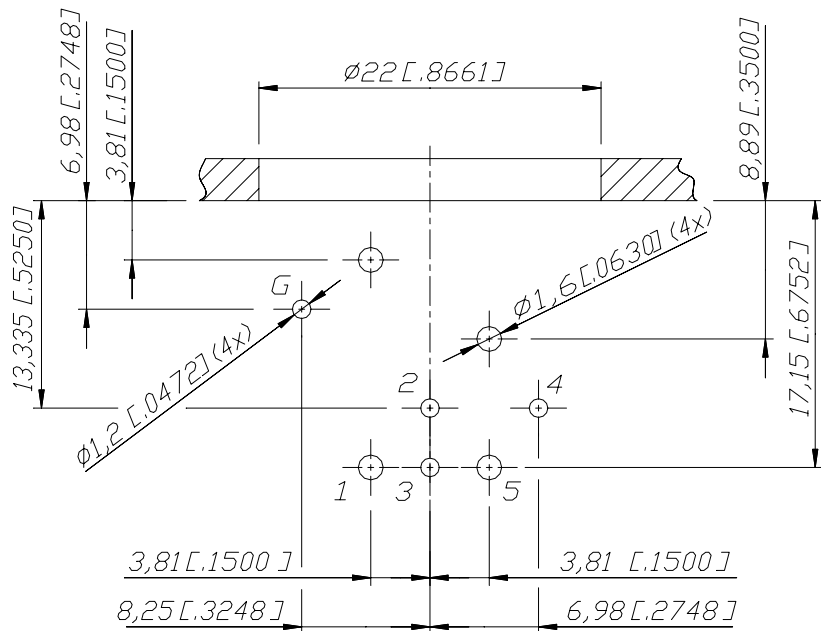
Frontplattenausschnitt (Rückseite)
Panel cut out (rear side)



Print-Bohrplan (Bestückungsseite)
PCB-Layout (component side)



min. Einbauabstand
min assembling distance



				*) Lieferant darf ohne Rücksprache nicht geändert werden	Werkstoff	Maßstab:	Datum	Name
				Zeichnung urheberrechtlich geschützt (DIN 34) (C)		3:1	30.04.99	Dobler
				Benennung		AD	Ersetzt durch:	Blatt
							Ersetzt fuer:	von Blatt
							Zeichn. Nr.	
Ind.	Aenderung	Datum	Name	NEUTRIK AG FL-9494 SCHAAN			3102ST1854	



BA Series

NC5FBH



There are no technical infos for this product.

Product	
Connector Type	XLR
Gender	female
Electrical	
Capacitance between contacts	≤ 7 pF
Contact resistance	≤ 5 m Ω
Dielectric strength	1,5 kVdc
Insulation resistance	> 2 G Ω (initial)
Insulation resistance	> 1 G Ω (after damp heat test)
Rated current per contact	3 A
Rated voltage	50 V
Grounding options	Separate ground contact connected to mating connector shell and front panel, no connection to Pin 1
Mechanical	
Insertion force	≤ 20 N
Withdrawal force	≤ 20 N
Lifetime	> 1000 mating cycles
Wiring	Horizontal PCB mount
Locking device	latch lock
Mounting direction	rear
Chassis shape	B
Mounting	A-Screw
Material	
Contact plating	0.2 μ m AuCo over 2 μ m NiP15 (Tribor®)
Contacts	Bronze (CuSn6)
Insert	Polyamide (PA 6.6 30 % GR)
Locking element	Steel Ck67
Ring	Zinc diecast (ZnAl4Cu1)
Flange	Metal
Environmental	
Flammability	UL 94 HB
Standard compliance	IEC 61076-2-103

Solderability	Complies with IEC 68-2-20
---------------	---------------------------

Temperature range	-30 °C to +80 °C
-------------------	------------------

Optical

Mobile Cables