



Industry

## MiniCon Connectors



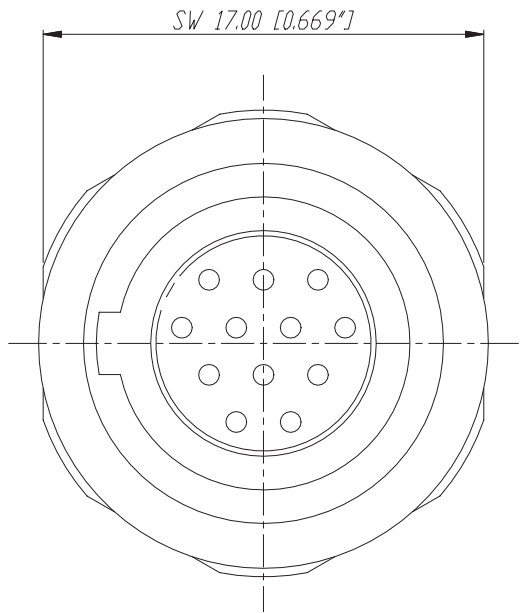
### MRM12

The MiniCon with its flexible and compact design is perfectly suitable for multipin / industrial applications. The rugged all metal miniature connector offers a push-pull locking device and stands out by an excellent cost/performance ratio.

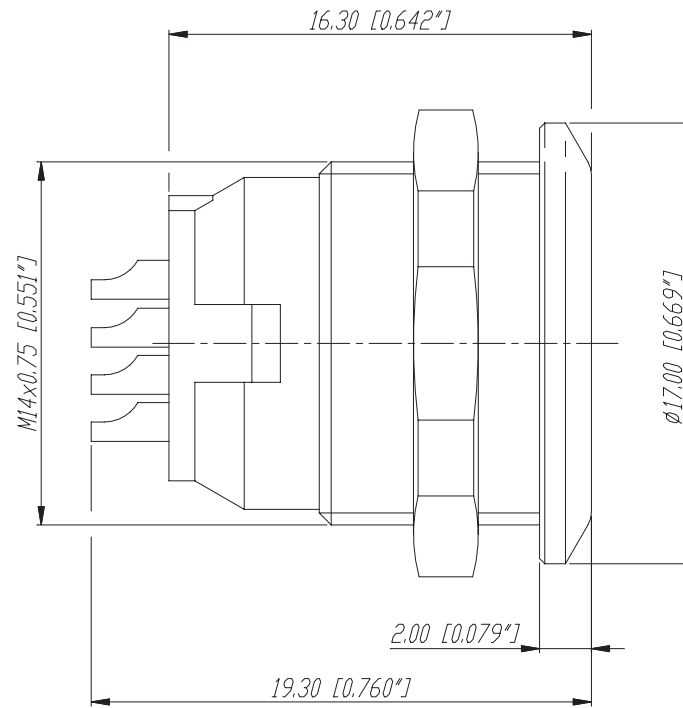
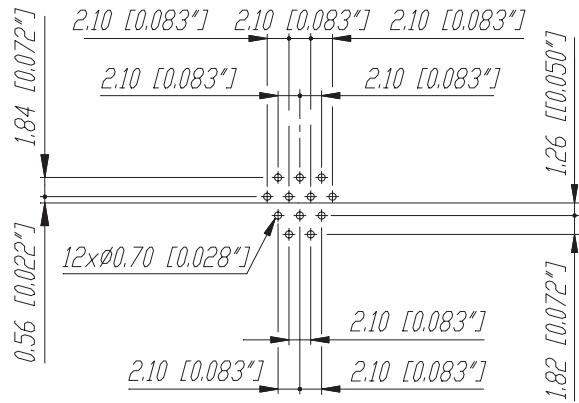
Male receptacle, consisting of housing, insert and 12 solder contacts.

#### Features & Benefits

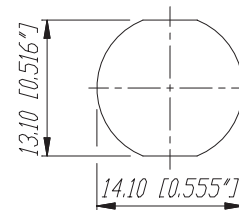
- Easy assembly: Contact soldering in disassembled condition avoids awkward wiring of high density contacts.
- Velour chromium housing
- Push-pull self-locking system.
- Rugged, precisely machined all metal design.
- Gold plated contacts.



Print-Bohrplan (Bestückungsseite)  
PCB-Layout (component side)



Frontplattenausschnitt (Rückseite)  
Panel cut out (rear side)



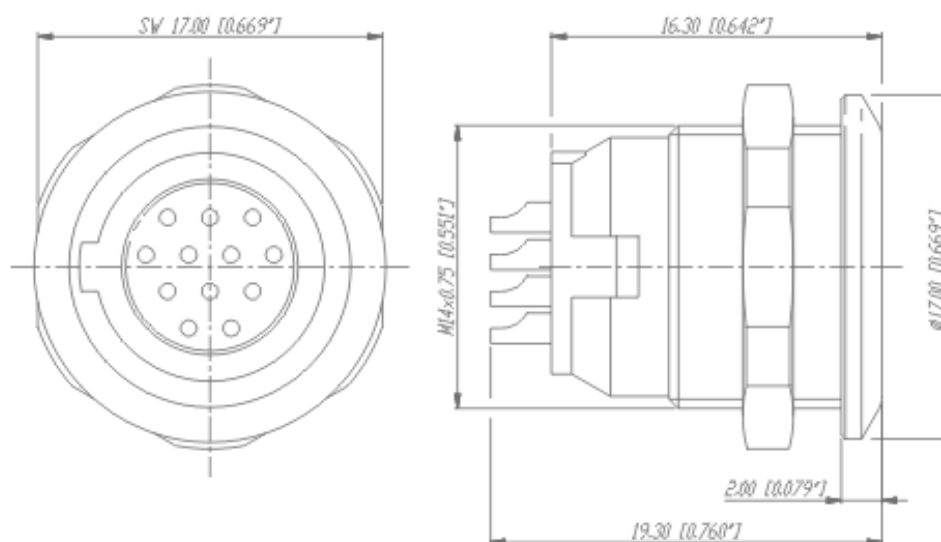
					Werkstoff:	Massstab:	Datum	Name
					*)Lieferant darf ohne Ruecksprache nicht gesendert werden Zeichnung urheberrechtlich geschuetzt (DIN 34) (C)	5:1	02.09.98	Alinjak
						2:1		
					Benennung:	MiniCon	Ersetzt durch:	Blatt
						MRM12	Ersatz fuer:	von Blatt
					<b>NEUTRIK AG</b>	FL-9494 SCHAAN	Zeichn. Nr.	3102 St 21 15
Ind.	Aenderung	Datum	Name					



Industry

# MiniCon Connectors

## MRM12



There are no technical infos for this product.

Product	
Connector Type	MiniCon
Gender	male
Electrical	
Contact resistance	$\leq 8 \text{ m}\Omega$
Dielectric strength	1 kVdc
Insulation resistance	$> 0.5 \text{ G}\Omega$
Rated current per contact	3 A
Rated voltage	50 V ac
Mechanical	
Cable retention force	$> 20 \text{ N}$
Insertion force	$< 25 \text{ N}$
Wire size	0,5 mm <sup>2</sup>
Wire size	20 AWG
Wiring	Solder contacts
Locking device	Push-Pull
Mounting direction	rear
Chassis shape	14.10 mm

### Material

Contact plating	0.2 µm AuCo
Contacts	Brass (CuZn35Pb2)
Insert	Polyamide (PA 6.6)
Shell	Zinc diecast (ZnAl4Cu1)

### Environmental

Flammability	UL 94 V-0
Protection class	IP 5X
Solderability	Complies with IEC 68-2-20
Temperature range	-30 °C to +80 °C

### Optical

### Mobile Cables