



Industry

## MiniCon Connectors



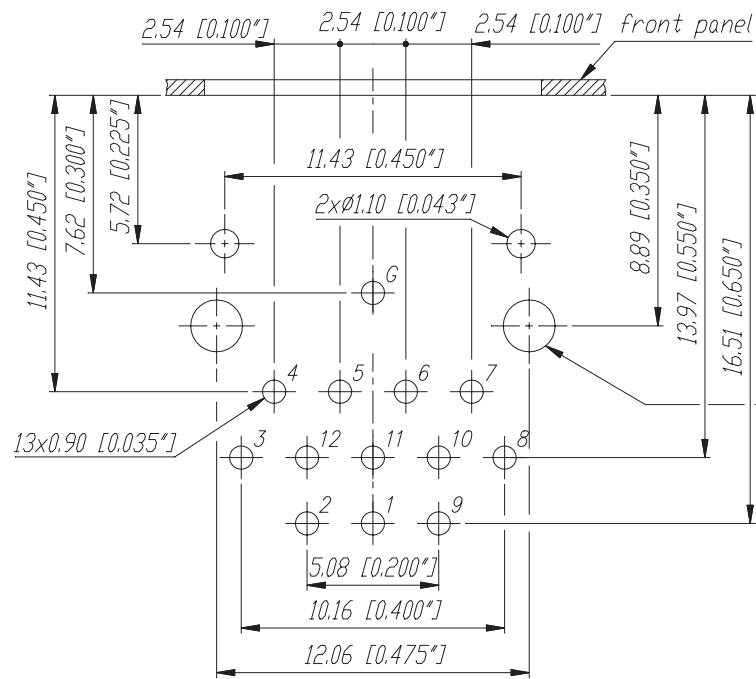
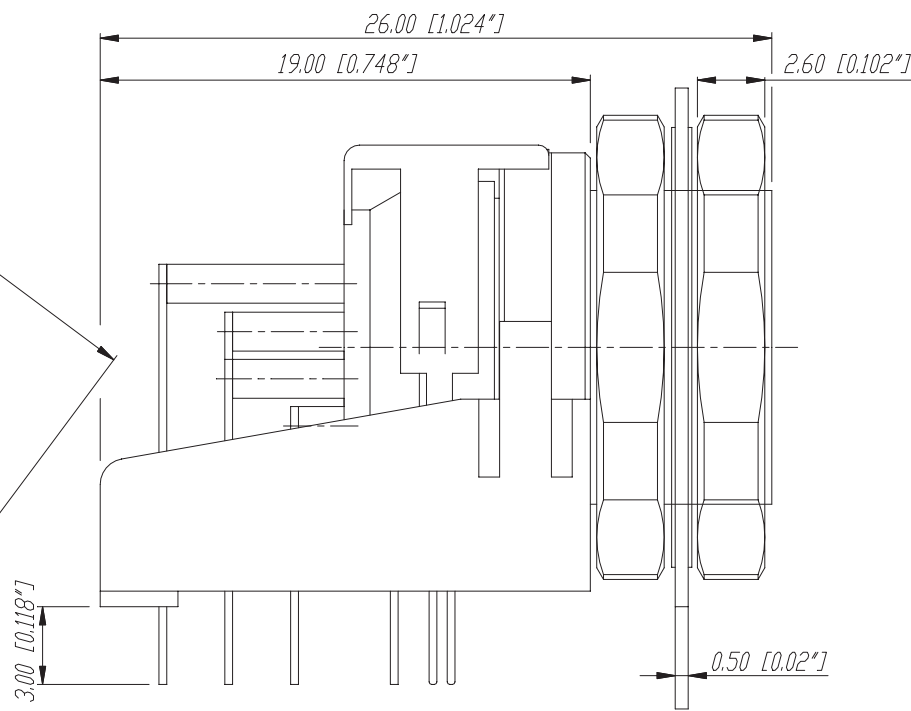
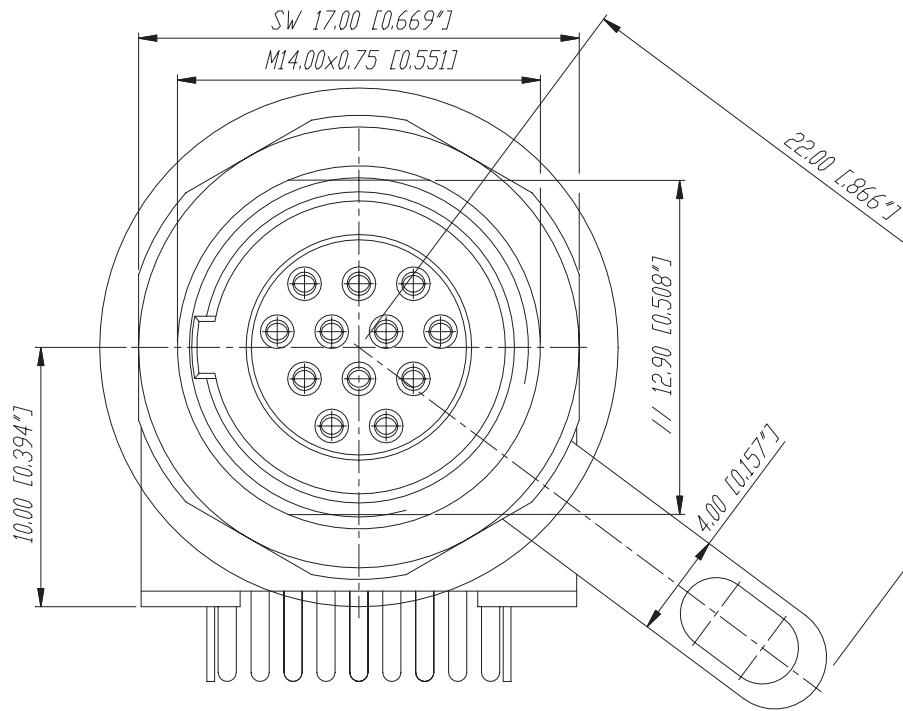
### MPF12-H

The MiniCon with its flexible and compact design is perfectly suitable for multipin / industrial applications. The rugged all metal miniature connector offers a push-pull locking device and stands out by an excellent cost/performance ratio.

Female receptacle, consisting of housing, insert and 12 contacts for horizontal PCB mount.

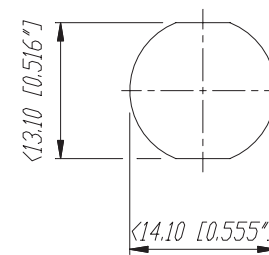
#### Features & Benefits

- Velour chromium housing
- Push-pull self-locking system.
- Rugged, precisely machined all metal design.
- Gold plated contacts.
- Fully loaded receptacle for horizontal PCB mount.



Print-Bohrplan (Bestückungsseite)  
PCB-LAYOUT (component side)

Frontplattenausschnitt (Rückseite)  
Panel cut out (rear side)



2x $\phi 2.00 [0.078]$   
optional for Plastite srew KA18

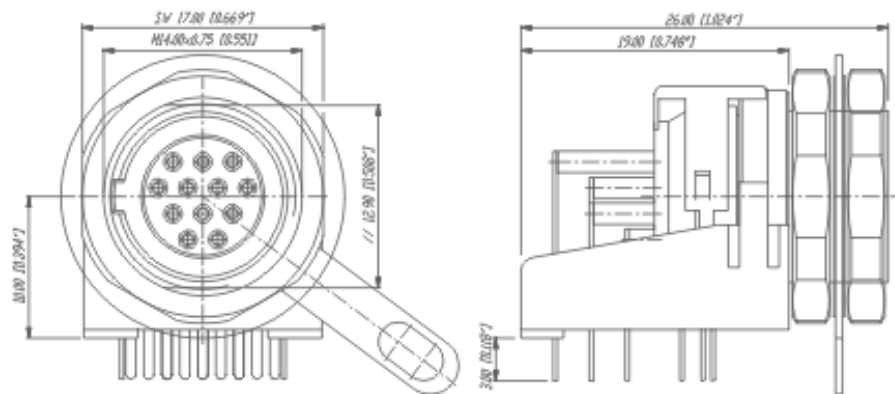
				Werkstoff:	Massstab:	Datum	Name
				*)Lieferant darf ohne Ruecksprache nicht gesendert werden	5:1	13.10.94	Loretz
					2:1		
				Benennung: MiniCon MPF12-H		Ersetzt durch:	Blatt
B	Mutter + Sprengs.	28.08.03	Batlog			Ersetzt fuer:	von Blatt
A	Bracket	15.05.95	Loretz				
Ind.	Aenderung	Datum	Name	<b>NEUTRIK AG</b> FL-9494 SCHAAN		Zeichn. Nr.	3102 St 21 08



# MiniCon Connectors

Industry

## MPF12-H



There are no technical infos for this product.

### Product

Connector Type	MiniCon
Gender	female

### Electrical

Contact resistance	≤ 8 mΩ
Dielectric strength	1 kVdc
Insulation resistance	> 0.5 GΩ
Rated current per contact	3 A
Rated voltage	50 V ac

### Mechanical

Insertion force	< 25 N
Wire size	0,5 mm <sup>2</sup>
Wire size	20 AWG
Wiring	Horizontal PCB mount
Locking device	Push-Pull
Mounting direction	rear
Chassis shape	14.10 mm

### Material

Contact plating	0.2 μm AuCo
Contacts	Bronze (CuSn6)
Insert	Polyamide (PA 6.6)
Shell	Zinc diecast (ZnAl4Cu1)

### Environmental

Flammability	UL 94 V-0
Protection class	IP 5X
Solderability	Complies with IEC 68-2-20
Temperature range	-30 °C to +80 °C

### Optical

### Mobile Cables