



Date
8-15-09
DRN BY
MEA

TITLE
ALLIGATOR CLIP
STEEL INSULATED

ISSUE NO.
0

PART NO.
501993

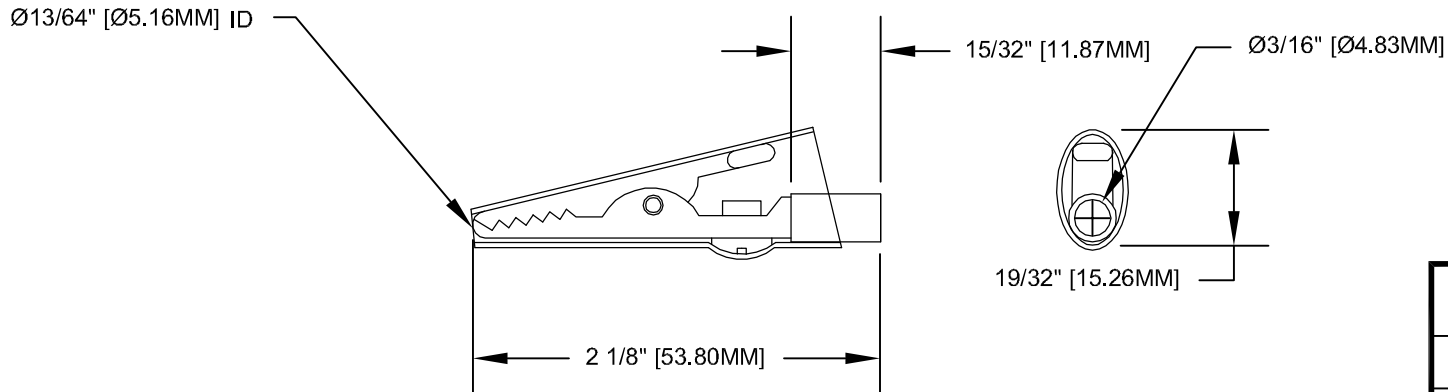
This drawing is not to be disclosed to a third party without the authority from the company ©

MAT'L
NOTED
SCALE
NONE

CURRENT RATING:
10 AMP

8-15-09

PROJ. NO.



CLIP MATERIAL: STEEL
FINISH: NICKEL PLATED
INSULATOR MATERIAL: PVC

INSULATOR COLORS
_R = RED
_B = BLACK
_Y = YELLOW
_G= GREEN
_BL = BLUE
_G= GREEN
_W = WHITE

ASSEMBLY NO.	PACKAGING :	PRINTING AS ILLUSTRATED	CONCENTRICITY:	ANGLES
--------------	-------------	-------------------------	----------------	--------