

## Contact Clip with Circle of Nails

---



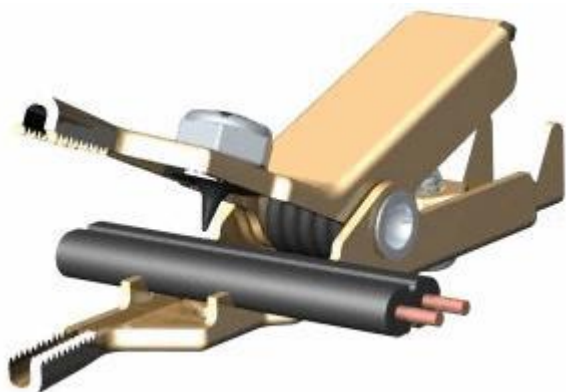
Model #JP-5869-C

- | Mueller - J.S. Popper brand
- | Jaw opens 0.52" (13.2mm)
- | Uses bed of nails to pierce insulation
- | Material: steel
- | Length: 2.4" (61.0mm)

[CHECK INVENTORY](#)

## Large Angled Nose Telecom Clip with Hex Screw Attached Single Spike

---



Model # JP-8078-\*\*\*

- | Mueller - J.S. Popper brand

- | Jaw opens 1.0" (25.4mm)
- | Uses single spike to pierce insulation
- | Material: nickel-silver jaws; includes brass screw, brass nut, brass washer, and bronze star washer
- | Length: 2.61" (66.4mm)
- | Connection Options: -N Without Hardware, -L With Loose Hardware, -J Banana Jack, -TJ Threaded Banana Jack

**CHECK INVENTORY**

---

### Large Angled Nose Telecom Clip with Single Spike



Model # JP-8099-\*\*\*

- | Mueller - J.S. Popper brand
- | Jaw opens 1.0" (25.4mm)
- | Uses single spike to pierce insulation
- | Material: nickel-silver jaws; includes brass screw, brass nut, brass washer, and bronze star washer
- | Length: 2.61" (66.4mm)
- | Connection Options: -N Without Hardware, -L With Loose Hardware, -J Banana Jack, -TJ Threaded Banana Jack

**CHECK INVENTORY**

---

### Insulator for Telecom Clips