

DECLARATION OF CONFORMITY

SILVERTRONIC Ltd. confirm that the products listed below have been Designed, Manufactured and Tested to, and therefore are fully compliant to;
IEC1010-1 1990 inc. Amendment 2-1995 & IEC1010-2-031 First Edition-1993
and thus meet **THE LOW VOLTAGE DIRECTIVE (LVD) 73/23/EEC and amending directive 93/68/EEC**

PRODUCT TYPE / DESCRIPTION				PAIR OF FLANGED 600V CROC. CLIPS	
PART No.				134002	
IEC1010 RATING	VOLTAGE	600	Volts	INSULATION CATEGORY	III (3)

MAXIMUM RATED CURRENT	20	Amps
POLLUTION DEGREE	2	
INSULATION CATEGORY	DOUBLE/REINFORCED	

INCLUDES FOLLOWING ASSEMBLIES / COMPONENTS SUBJECT TO INDIVIDUAL TEST.	DESCRIPTION	PART No.
	600V FLANGED CROC. CLIP	126009



All Testing carried out by Third Party Testhouse
CRANAGE EMC TESTING Ltd.
(LVD TESTING DEPARTMENT)



www.silvertronic.com
e-mail: sales@silvertronic.com

Registration No. 1993292

North American Office
4405 Sharon Copley Road,
Medina, Ohio, 44256.
Toll Free: (866) 556 3308
Facsimile: (330) 722 2281

Date
27/01/98

Drn.By
Steve \$

Title
CROC CLIP KIT

ISSUE No.

1									
27/01/98	PROD. ISSUE								

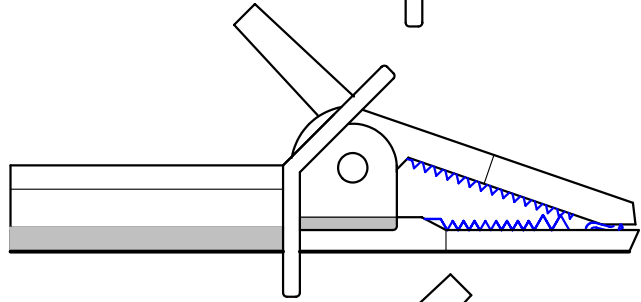
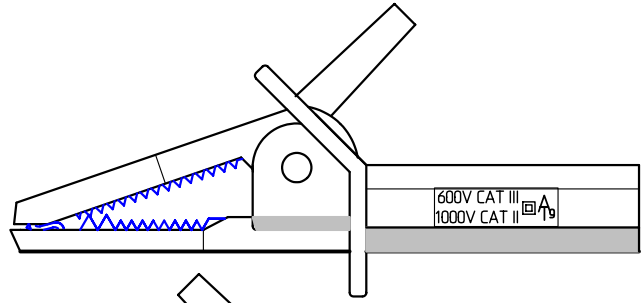
Part No.
134002

This drawing is not to be disclosed to a third party without the authority from the company.©

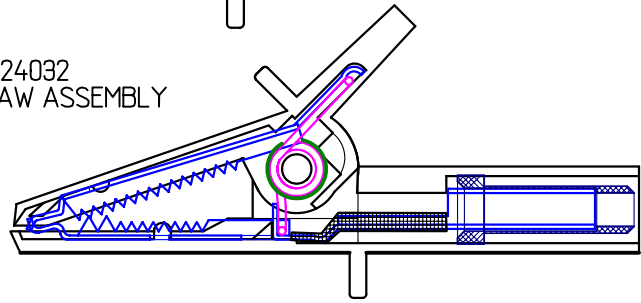
Scale
FULL SIZE

IEC 1010 COMPLIANT
1000 VOLTS CAT III 24 AMPS MAX.
600 CAT II 20 AMPS CONT. POL DEG. 2

1No. RED & BLACK 126009



124032
UPPER JAW ASSEMBLY



122011
LOWER JAW ASSEMBLY

PARTS LIST FOR: 126009

ITEM No.	SUB. ASS. No.	PART No.	DESCRIPTION	QTY.
	122011		LOWER JAW ASSEMBLY	
	124521		SLEEVED JAW TEETH	
		108036N	LOWER JAW TEETH	
		108518	SLEEVE(108516B X 20mm)	
		113164	LOWER JAW COVER	
		113141	INSULATOR	
	124032		UPPER JAW ASSEMBLY	
		113163	UPPER JAW COVER	
		108032N	UPPER JAW TEETH	
		111010	SPRING	
		113184	SPRING COVER	

ASSEMBLY JIG NUMBERS
126009=J111.120.123.124.204

PACKAGING
POLY BAG: 111503

TOLERANCES CABLE LENGTHS +/- 5%

DO NOT SCALE.
ALL DIMENSIONS IN mm.