

- o Flat Cable Connectors SEK
- o *har-mik®*
- o D-Sub
- o InduCom

Applications



Product details

09 18 520 5904 IDC male connector

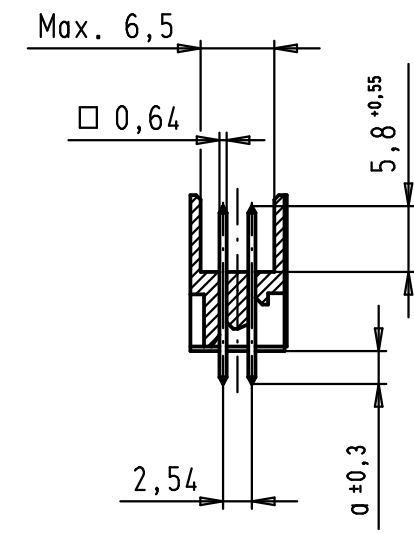
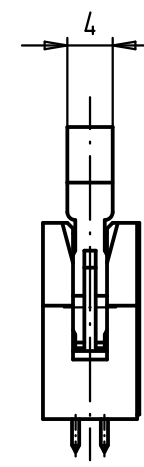
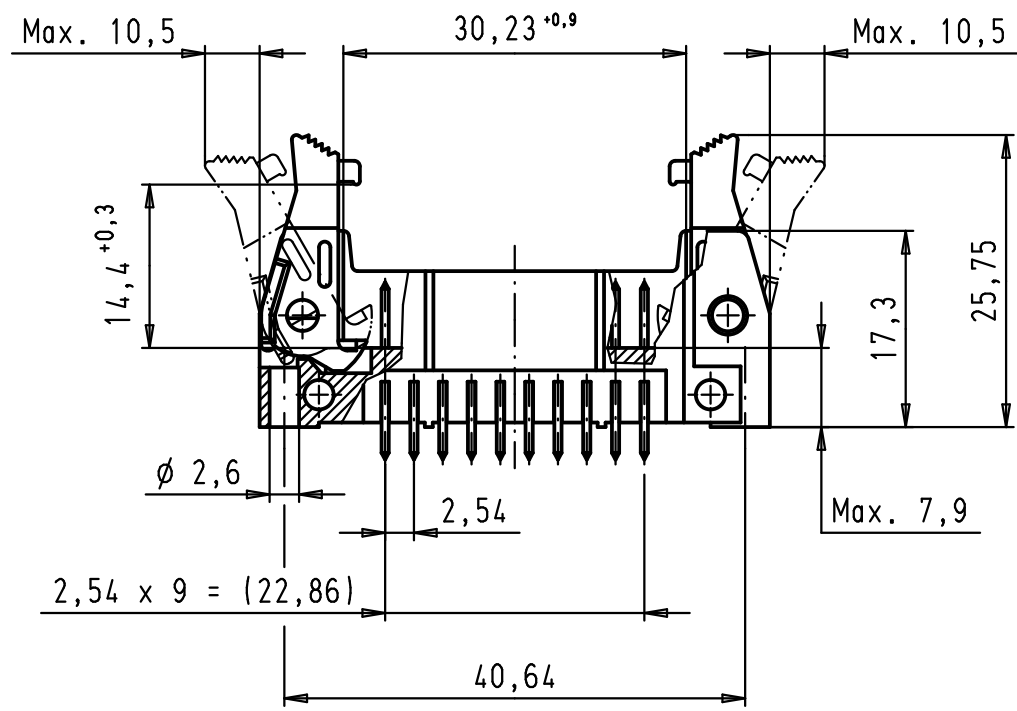
Connector size	20 contacts
Termination	Straight solder pin
Profile	Standard connector
Moulding	Standard Material
Termination length	2.9 mm
Lever	Long levers
P.C.B. retention clip	Without retention clip
Performance level	AU-0.76•m [30•Inch]
RoHS compliant	Yes

Available Downloads

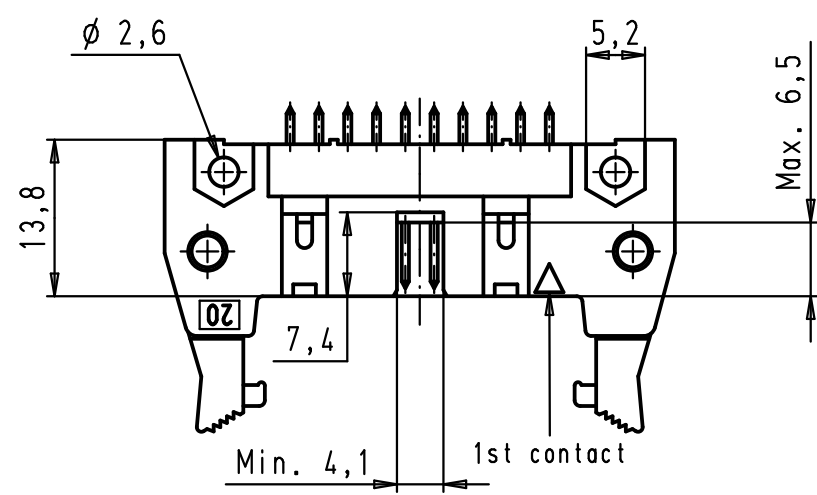
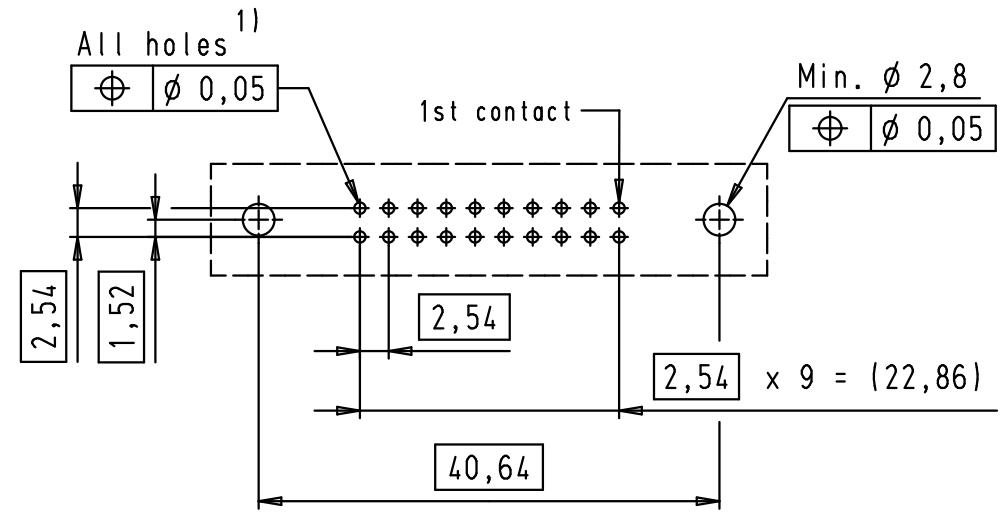
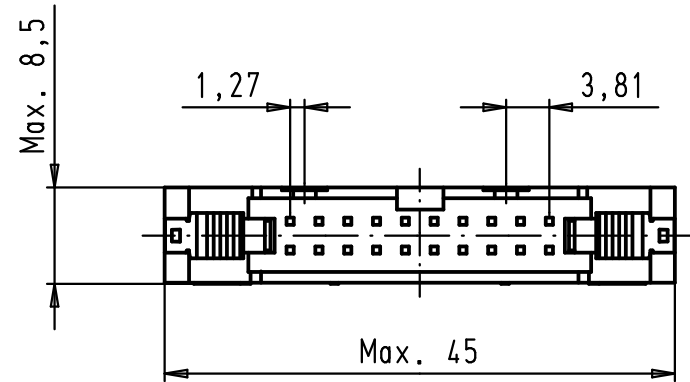
Title	Format	
Data sheet	PDF	download
CAD data 2D	DXF	download
CAD data 3D	IGES	download

Inquiry

Alle Rechte vorbehalten/ All rights reserved



PCB layout, component side



1) Solder pins for PCB connections
 $\phi 1 \pm 0,1$ according to IEC 60 326-3

09 18 520 7902	3	4,5
09 18 520 6902	2	4,5
09 18 520 5902	0,76 $\mu\text{m Au}$	4,5
09 18 520 7904	3	2,9
09 18 520 6904	2	2,9
09 18 520 5904	0,76 $\mu\text{m Au}$	2,9
Part number	Performance level	a

				Det.	Name		SEK 18 Male Connector Standard 20 poles Straight solder pins Long locking levers	Maßstab/ Scale 1,5:1
				01/12/99	JB			
34900	28/01/08	LP	Insp.			All Dim. in mm Orig. Size DIN A 3	TB 09 18 520 X90X	Blatt/ Page 1 / 2
33451	30/03/06	JMDR	Stand.					
27931	15/06/00	JB					Sub.	
26554	01/12/99	JB						
					HARTING EURL F-95972 Paris			