



Series image - Reference only

EU RoHS

ELV and RoHS Compliant

China RoHS



Search Parts in this Series

84702 Series

Mates With

847000001 Modular Jack

EtherNet/IP™ PCB Mount Receptacle Jack 847020005, 847020007

EtherNet/IP™ Punchdown Panel Mount Receptacle Jack 847020006,
847020008

Part Number: **0847023020**

Status: **Active** **Overview:** RJ-45 Ethernet

Description: Ethernet/IP™ Single End IP67 Bayonet Plug 6.10m (20.0')
Length

General

Product Family	Cable Assemblies
Series	<u>84702</u>
Comments	Industrial Type, Gray Cable, Black Overmold
Connector to Connector	RJ-45 to Pigtail
Overview	<u>RJ-45 Ethernet</u>
Product Name	Industrial
Product Name	RJ45

Physical

Cable Length	6.10m (20.0')
Circuits (Loaded)	8/8
Color - Resin	Black
Gender	Male-Pigtail
Lock to Mating Part	Yes
Material - Resin	Polyester
Material - Resin	PVC
Packaging Type	Bag
Single Ended	Yes
Termination Interface: Style	N/A
Waterproof / Dustproof	Yes
Waterproof / Dustproof Type	IP67
Wire Insulation Diameter	N/A
Wire Size AWG	24
Wire/Cable Type	Round

Electrical

Current - Maximum	1.500 Amp
Shielded	Yes
Voltage - Maximum	125V

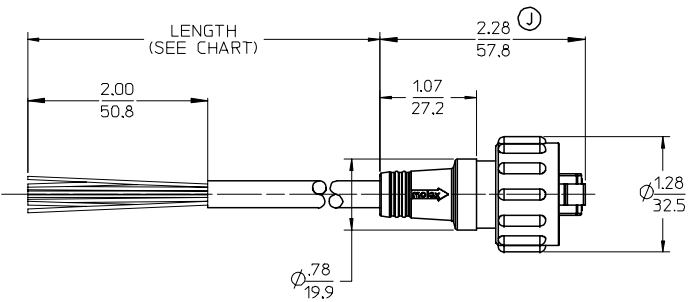
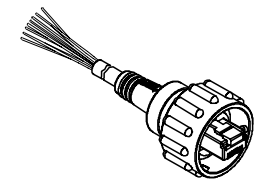
Material Info

Reference - Drawing Numbers

Sales Drawing

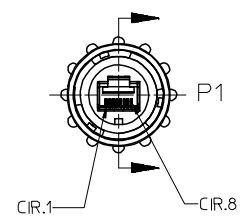
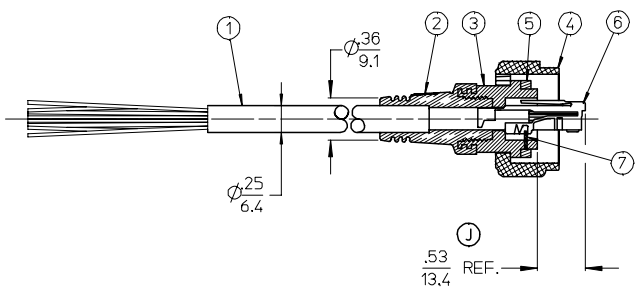
SD-84702-003

MATERIAL NO.	FINISHED LENGTH
847023001	1'0" +1/4"-0 [.3M +6.4mm-0]
847023003	3'0" +3/4"-0 [.9M +19mm-0]
847023006	6'0" +1 1/2"-0 [1.8M +38mm-0]
847023009	9' 0" +2 1/2"-0 [2.74M +64mm -0]
847023012	12' 0" +3"-0 [3.7M +76mm-0]
847023020	20' 0" +5"-0 [6.1M +127mm-0]
847023050	50' 0" +12 1/2"-0 [15.2M +318mm-0]
847023100	100' 0" +25"-0 [30.5M +635mm-0]



Ⓝ

- NOTES:
 1. MATERIAL: SEE TABLE
 2. FINISHES: SEE TABLE
 3. PRODUCT SPECIFICATION: PPS.84.006
 4. MATES WITH BAYONET STYLE RJ-45 JACK ASSEMBLIES
 5. CABLE IS UL RATED TYPE MPR/CMR
 6. COUPLING RING AND HOLDER MEET UL 746C/UV
 7. ASSEMBLY IS RoHS COMPLIANT.



RJ-45 PLUG		RJ-45 PLUG	
P2			P1
1	WHITE-ORANGE	1	
2	ORANGE	2	
3	WHITE-GREEN	3	
4	BLUE	4	
5	WHITE-BLUE	5	
6	GREEN	6	
7	WHITE-BROWN	7	
8	BROWN	8	
9	DRAIN	9	

ITEM	QTY	DESCRIPTION	MATERIAL	FINSH
7	1	WEDGE	POLYESTER	BLACK
6	1	RJ-45 PLUG, SHIELDED	PER VENDOR SPEC.	GOLD PL. CONTACTS
5	1	GASKET SEAL	NITRILE	BLACK
4	1	RJ-45 COUPLING RING	POLYESTER	BLACK
3	1	RJ-45 HOLDER	POLYESTER	BLACK
2	1	OVERMOLD BODY	PVC	BLACK
1	1	CABLE, UTP, 4P, 24 AWG, CAT 6	PVC JACKET	BLACK

REDRAWN, MOVED #6_040 EC NO: ETC2007-0379 DRAWN: HRODAHL 2007/04/19 CHKD: RSTONE 2007/05/10 APPR: IMAGNELL 2007/05/11 REVISION DESCRIPTION	QUALITY SYMBOLS	GENERAL TOLERANCES (UNLESS SPECIFIED)	DIMENSION STYLE IN/MM	SCALE 1:1	DESIGN UNITS INCH	THIRD ANGLE PROJECTION
	▽=0	4 PLACES ± --- ± ---	DRAWN BY SGILBERT DATE 2003/08/15	TITLE		
	▽=0	3 PLACES ± --- ± ---	CHECKED BY PWALTZ DATE 2003/08/15	CORD ASSEMBLY, RJ-45 MALE BAYONET, SNGL ENDED		
		2 PLACES ± --- ± .01	APPROVED BY GROBERTSON DATE 2003/08/15	MOLEX INCORPORATED		
		1 PLACE ± 0.25 ± ---	MATERIAL NO.	DOCUMENT NO.	SHEET NO.	
		ANGULAR ±1/2°	SEE CHART	SD-84702-003	1 OF 1	
			DRAFT WHERE APPLICABLE MUST REMAIN WITHIN DIMENSIONS			
			THIS DRAWING CONTAINS INFORMATION THAT IS PROPRIETARY TO MOLEX INCORPORATED AND SHOULD NOT BE USED WITHOUT WRITTEN PERMISSION			