



Series image - Reference only

EU RoHS

**ELV and RoHS Compliant**

China RoHS



### **Search Parts in this Series**

84702 Series

### **Mates With**

847000001 Modular Jack

EtherNet/IP™ PCB Mount Receptacle Jack 847020005, 847020007

EtherNet/IP™ Punchdown Panel Mount Receptacle Jack 847020006,  
847020008

**Part Number:** **0847021010**

**Status:** **Active** **Overview:** RJ-45 Ethernet

**Description:** EtherNet/IP™ Plug, RJ-45 Double End Bayonet Style, 3.05m (10.0' ) Length

### General

Product Family	Cable Assemblies
Series	<u>84702</u>
Comments	Industrial Type, Gray Cable, Black Overmold
Connector to Connector	RJ45 to RJ45
Overview	<u>RJ-45 Ethernet</u>
Product Name	Industrial
Product Name	RJ45

### Physical

Cable Length	3.05m (10.0' )
Circuits (Loaded)	8/8
Color - Resin	Black
Gender	Male-Male
Lock to Mating Part	Yes
Material - Resin	Polyester
Material - Resin	PVC
Packaging Type	Bag
Single Ended	No
Termination Interface: Style	N/A
Wire Insulation Diameter	N/A
Wire Size AWG	24
Wire/Cable Type	Round

### Electrical

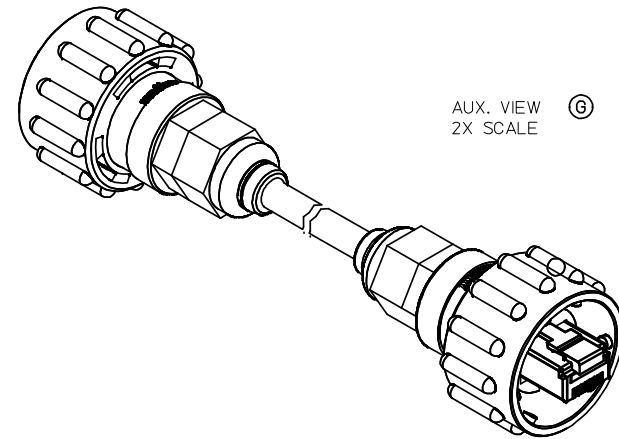
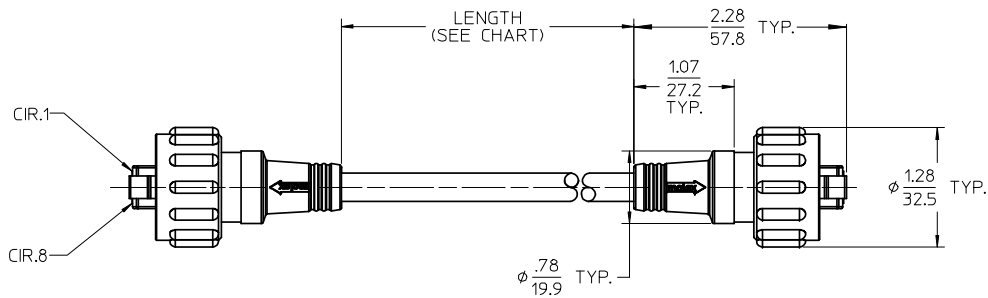
Current - Maximum	1.500 Amp
Shielded	Yes
Voltage - Maximum	125V

### Material Info

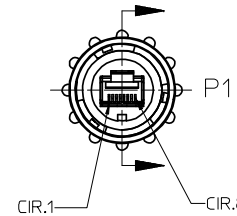
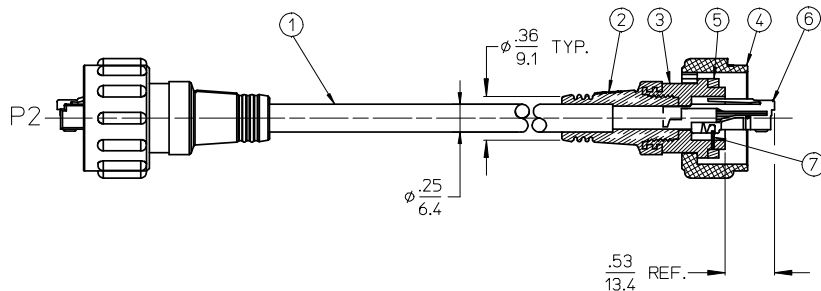
### Reference - Drawing Numbers



MATERIAL NO.	FINISHED LENGTH
847021001	1'0" +1/4"-0 [ .3M +6.4mm-0 ]
847021003	3'0" +3/4"-0 [ .9M +19mm-0 ]
847021006	6'0" +1 1/2"-0 [ 1.8M +38mm-0 ]
847021007	7'0" +1 3/4"-0 [ 2.1M +44mm-0 ]
847021009	9' 0" +2 1/2"-0 [ 2.74M +64mm -0 ]
847021010	10' 0" +2 1/2"-0 [ 3.0M +64mm-0 ]
847021012	12' 0"+3"-0 [ 3.7M +76mm-0 ]
847021015	15' 0" +3 3/4"-0 [ 4.6M +95mm-0 ]
847021016	16' 5" +4.0"-0 [ 5.0M +102mm-0 ]
847021020	20' 0" +5"-0 [ 6.1M +127mm-0 ]
847021021	21' 0" +5 1/4"-0 [ 6.4M +133mm-0 ]
847021030	30' 0" +6"-0 [ 9.1M +152MM-0 ]



- NOTES:
1. MATERIAL: SEE TABLE
  2. FINISHES: SEE TABLE
  3. PRODUCT SPECIFICATION: PPS.84.006
  4. MATES WITH BAYONET STYLE RJ-45 JACK ASSEMBLIES
  5. CABLE IS UL RATED TYPE MPR/CMR
  6. COUPLING RING AND HOLDER MEET UL 746C/UV
  7. ASSEMBLY IS RoHS COMPLIANT.



P2		P1	
1	WHITE-ORANGE	1	
2	ORANGE	2	
3	WHITE-GREEN	3	
4	BLUE	4	
5	WHITE-BLUE	5	
6	GREEN	6	
7	WHITE-BROWN	7	
8	BROWN	8	
9	DRAIN	9	RJ-45 PLUG

ITEM	QTY	DESCRIPTION	MATERIAL	FINSH
7	2	WEDGE	POLYESTER	BLACK
6	2	RJ-45 PLUG, SHIELDED	PER VENDOR SPEC.	GOLD PL. CONTACTS
5	2	GASKET SEAL	NITRILE	BLACK
4	2	RJ-45 COUPLING RING	POLYESTER	BLACK
3	2	RJ-45 HOLDER	POLYESTER	BLACK
2	2	OVERMOLD BODY	PVC	BLACK
1	SEE CHART	CABLE, UTP, 4P, 24 AWG, CAT 6	PVC JACKET	BLACK

ADD 847021016, REV'D AUX	QUALITY SYMBOLS
EC NO: ETC2008-0113	▽=0
DRWN:ARSTONE 2007/11/16	▽=0
CHKD:J.MURPHY 2007/12/05	
APPR:J.MACNEILL 2007/12/05	
DESCRIPTION	REV

GENERAL TOLERANCES (UNLESS SPECIFIED)	
	IN/MM
4 PLACES	±.005
3 PLACES	±.004
2 PLACES	±.003
1 PLACE	±.002
ANGULAR ±1/2°	

DIMENSION STYLE	
IN/MM	
DRAWN BY	DATE
SGILBERT	2003/08/18
CHECKED BY	DATE
PWALTZ	2003/08/18
APPROVED BY	DATE
GROBERTSON	2003/08/18
MATERIAL NO.	
SEE CHART	

SCALE	DESIGN UNITS	THIRD ANGLE PROJECTION
1:1	INCH	☉
TITLE		
CORD ASSEMBLY, RJ-45 MALE BAYONET DBL ENDED, CIC INDUSTRIAL ETHERNET		
MOLEX MOLEX INCORPORATED		
DOCUMENT NO.	SHEET NO.	
SD-84702-001	1 OF 1	
DRAFT WHERE APPLICABLE MUST REMAIN WITHIN DIMENSIONS		
THIS DRAWING CONTAINS INFORMATION THAT IS PROPRIETARY TO MOLEX INCORPORATED AND SHOULD NOT BE USED WITHOUT WRITTEN PERMISSION		