

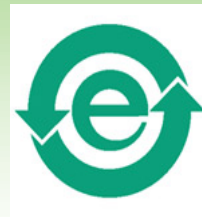


Series image - Reference only

EU RoHS

**ELV and RoHS Compliant**

China RoHS



**Search Parts in this Series**

84700 Series

**Use With**

84700-0001 Inline Modular Jack

**Part Number: 0847000003**

**Status: Active**

**Description:** Dust Cover for Bayonet-Style Latch Connector

**General**

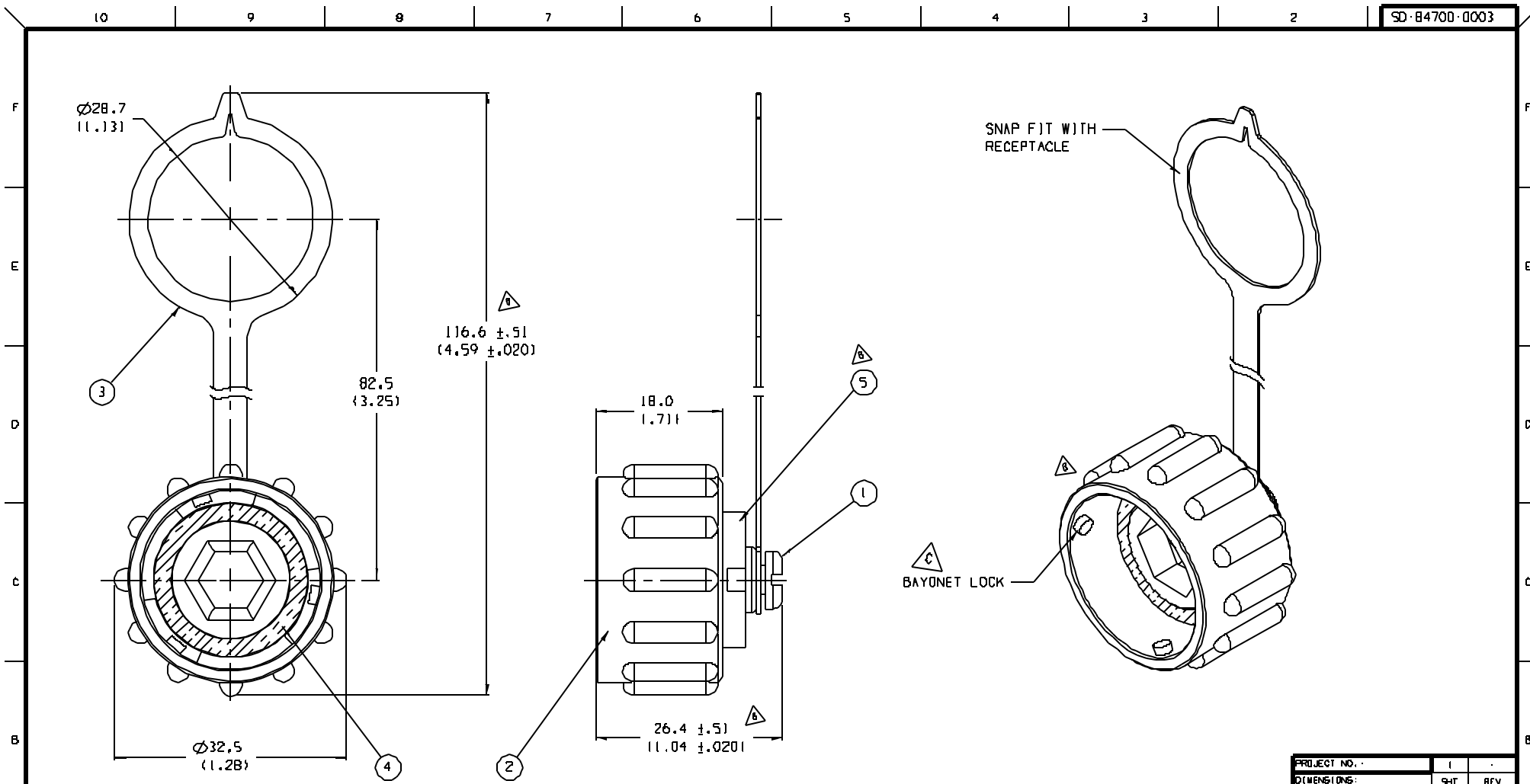
Product Family	Accessories
Series	<u>84700</u>
Component Type	Dust Cover
Product Name	RJ45

**Physical**

Circuits (Loaded)	8
Color - Resin	Black
Lock to Mating Part	No
Material - Resin	Polyester
Packaging Type	Bag
Temperature Range - Operating	-40°C to +60°C

**Material Info****Reference - Drawing Numbers**

Sales Drawing	SD-84700-0003
---------------	---------------



ITEM	QTY.	DESCRIPTION	MATERIAL	FINISH
5	1	DUST COVER	POLYESTER	BLACK
4	1	GASKET SEAL	NITRILE	
3	1	TETHER	IFR1-PP OR HD-PE	BLACK
2	1	COUPLING RING	POLYESTER	BLACK
1	1	SCREW, 8-32, SLOTTED	BRASS	NICKEL PLATED

EC NO. 1147D  
 DRWN: RK (12-11)-03  
 CHK:  
 APPR:

QUALITY SYMBOLS  
 MAJOR  
 CRITICAL  
 SPC  
 S

GENERAL TOLERANCES (UNLESS SPECIFIED)	
PLACES	TOLERANCE
4 PLACES	±.0015
3 PLACES	±.008
2 PLACES	±.1
1 PLACE	±.3
ANGULAR: ±2°	

SCALE 2:1  
 DESIGN UNITS  
 mm  INCH  
 THIRD ANGLE PROJECTION  
 DRAWN BY & DATE  
 R. STONE 5-14-02  
 CHECKED BY & DATE  
 S. BILLBERT 5-14-02  
 APPROVED BY & DATE  
 G. ROBERTSON 5-14-02  
 CAD FILENAME  
 SD-B4700-0003

PROJECT NO.:	1	REV
DIMENSIONS:	MM	INCH
	INCH	MM
	ONLY	ONLY
TITLE: DUST COVER, RJ-45 CIC INDUSTRIAL ETHERNET		
MOLEX INCORPORATED		
MATERIAL NO. B47000003	DRAWING NO. SD-B4700-0003	SHEET NO. 1 OF 1
THIS DRAWING CONTAINS INFORMATION THAT IS PROPRIETARY TO MOLEX INCORPORATED AND SHOULD NOT BE USED WITHOUT WRITTEN PERMISSION.		SIZE B