

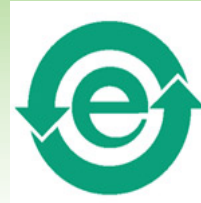


Series image - Reference only

EU RoHS

**ELV and RoHS Compliant**

China RoHS



### **Search Parts in this Series**

84700 Series

### **Mates With**

84700-0001 Inline Jack

### **Use With**

84700-0003 Dust Cover

### **Application Tooling**

Tooling specifications and manuals are found by selecting the products below. Crimp Height Specifications are then contained in the Application Tooling Specification document.

**Global**

### **Description**

ServiceGrade™ Hand Tool, Modular Plug

### **Product #**

0640160044

**Part Number:** **0847000002**

**Status:** **Active** **Overview:** Industrial Ethernet

**Description:** Modular Plug, Industrial, 8/8, Panel Stops

### General

Product Family	Modular Jacks/Plugs
Series	<u>84700</u>
Comments	Panel mounted jack
Component Type	Wire Plug
Overview	<u>Industrial Ethernet</u>
Performance Category	5e
Product Name	Industrial
Product Name	RJ45

### Physical

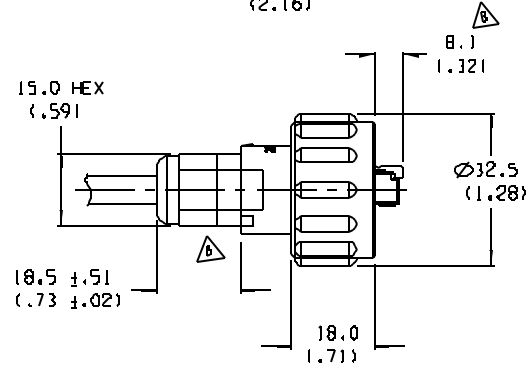
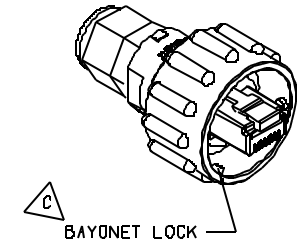
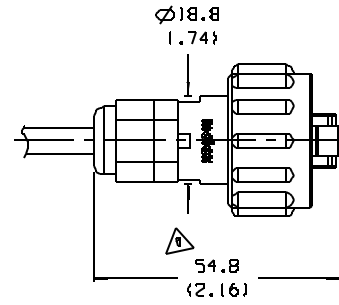
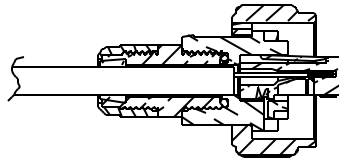
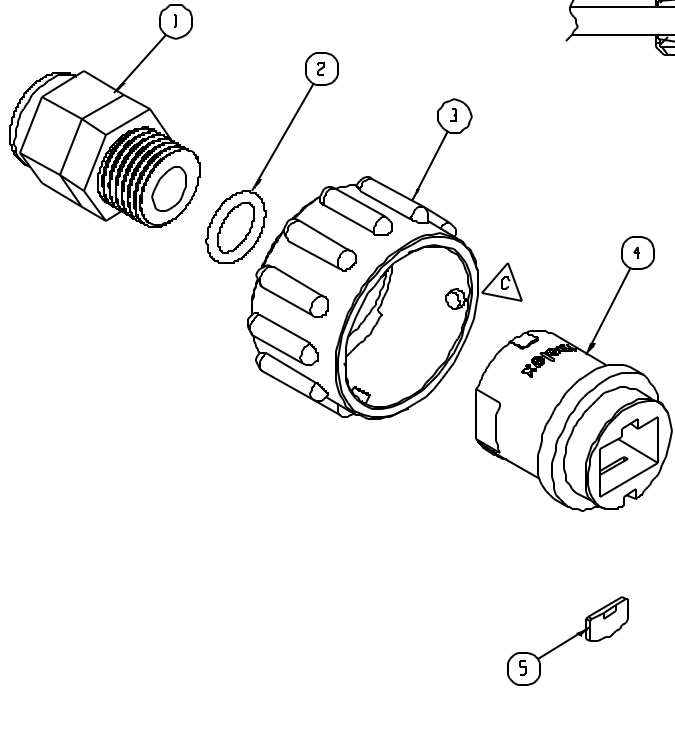
Color - Resin	Black
Durability (mating cycles) min	500 cycles
Inverted / Top Latch	N/A
Lightpipes/LEDs	None
Material - Resin	Polyester
Orientation	N/A
PCB Retention	None
Packaging Type	Bag
Ports	1
Positions / Loaded Contacts	8/8
Surface Mount Compatible (SMC)	N/A
Temperature Range - Operating	-40°C to +60°C
Termination Interface: Style	N/A
Wire/Cable Type	Round

**Electrical**

Current - Maximum	1.500 Amp
Grounding to Panel	N/A
Shielded	Yes
Voltage - Maximum	125V

**Material Info****Reference - Drawing Numbers**

Sales Drawing	SD-84700-0002
---------------	---------------



ITEM	QTY.	DESCRIPTION	MATERIAL	FINISH
7	1	RJ-45 PLUG, LONG BODY, SHIELDED		
6	1	GASKET SEAL	NITRILE	
5	1	RETAINER WEDGE	POLYESTER	BLACK
4	1	PLUG HOLDER	POLYESTER	BLACK
3	1	COUPLING RING	POLYESTER	BLACK
2	1	O-RINGS	NITRILE	
1	1	CABLE SEAL ASSY.	PA, TPE GLAND	BLACK

EC NO: 11470 DRWN: RK 12-11-03 CHK: APPR:	QUALITY SYMBOLS MAJOR CRITICAL SPC S	GENERAL TOLERANCES: (UNLESS SPECIFIED) 1 PLACES ±.0015 2 PLACES ±.005 3 PLACES ±.01 4 PLACES ±.015 5 PLACES ±.03 ANGLE: ±2°	SCALE: 1.5:1 DESIGN UNITS: <input type="checkbox"/> MM <input checked="" type="checkbox"/> INCH	THIRD ANGLE PROJECTION <input checked="" type="checkbox"/> FIRST ANGLE <input type="checkbox"/> SECOND ANGLE <input type="checkbox"/> THIRD ANGLE	PROJECT NO. E-620 DIMENSIONS: <input checked="" type="checkbox"/> DIM INCH <input type="checkbox"/> DIM MM <input type="checkbox"/> DIM ONLY	SHT: 1 REV: 1
			DRAWN BY & DATE: R. STONE 5-14-02 CHECKED BY & DATE: S. GILBERT 5-14-02 APPROVED BY & DATE: G. ROBERTSON 5-14-02	TITLE: PLUG, RJ45, FIELD WIRED C1C INDUSTRIAL ETHERNET	MATERIAL NO.: B47000002 DRAWING NO.: SD-84700-0002	SHEET NO.: 1 OF 1
DRAFT WHERE APPL. (CABLE MUST REMAIN WITHIN DIMENSIONS)				THIS DRAWING CONTAINS INFORMATION THAT IS PROPRIETARY TO MOLEX INCORPORATED AND SHOULD NOT BE USED WITHOUT WRITTEN PERMISSION.		