



Series image - Reference only

EU RoHS

**ELV and RoHS Compliant**

China RoHS



### **Search Parts in this Series**

84700 Series

### **Mates With**

84700-0002 Plug, 84702 Cable Assemblies

### **Use With**

84700-0003 Dust Cover

**Part Number:** **0847000001**

**Status:** **Active** **Overview:** Industrial Ethernet

**Description:** Modular Jack, Inline, Industrial, 8/8

### General

Product Family	Modular Jacks/Plugs
Series	<u>84700</u>
Comments	Panel mounted jack
Component Type	Wire Jack
Overview	<u>Industrial Ethernet</u>
Performance Category	5e
Product Name	Industrial
Product Name	RJ45

### Physical

Color - Resin	Black
Durability (mating cycles) min	500 cycles
Inverted / Top Latch	N/A
Lightpipes/LEDs	None
Material - Metal	Zinc Alloy
Material - Resin	Polyester
Orientation	Right Angle (Side Entry)
PCB Retention	None
Packaging Type	Bag
Ports	2
Positions / Loaded Contacts	8/8
Surface Mount Compatible (SMC)	N/A
Temperature Range - Operating	-40°C to +60°C
Termination Interface: Style	N/A
Wire/Cable Type	N/A

### Electrical

Current - Maximum	1.500 Amp
Grounding to Panel	N/A
Shielded	Yes
Voltage - Maximum	125V

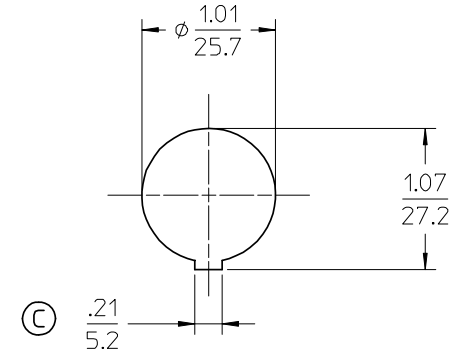
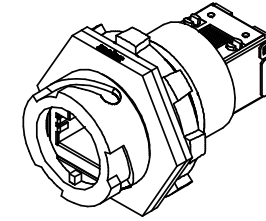
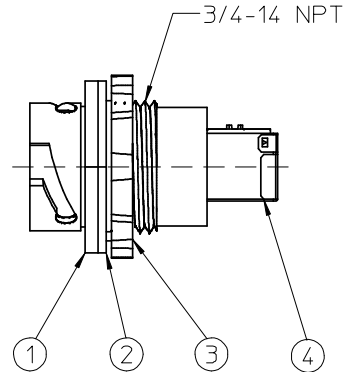
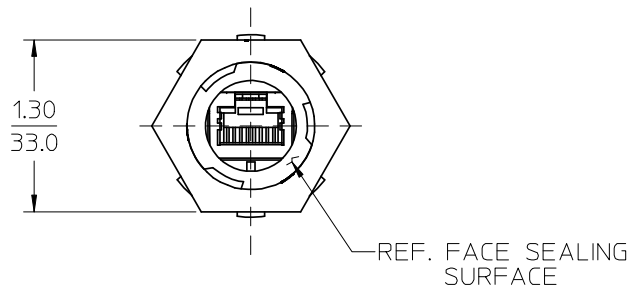
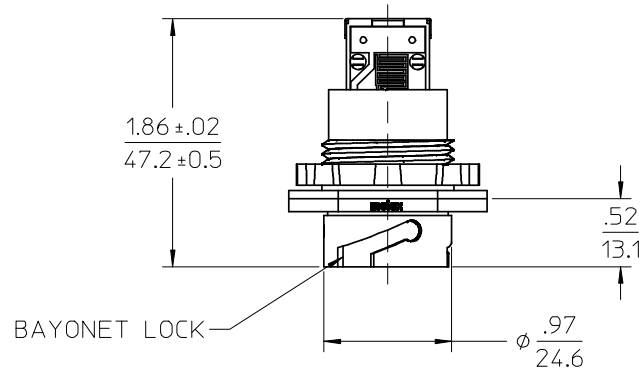
## Material Info

### Reference - Drawing Numbers

Sales Drawing

SD-84700-007

- Ⓒ NOTES:  
 1. MATERIAL: SEE TABLE  
 2. FINISHES: SEE TABLE  
 3. PRODUCT SPECIFICATION: PPS.84.003  
 4. PCB ASSEMBLY PUSHOUT : 20 LBS. MIN.  
 5. COMPONENTS ARE RoHS COMPLIANT OR COMPLIANT BY EXCEPTION



REF. PANEL MOUNT THRU HOLE

4	1	PCB, RJ-45, DUAL RECEPTACLE	PCB,MOD,JACK	
3	1	LOCK-NUT	STEEL	ZINC PLATED
2	1	PANEL GASKET	NEOPRENE	BLACK
1	1	RECEPTACLE HOUSING	PBT	BLACK
ITEM	QTY.	DESCRIPTION	MATERIAL	FINISH

REV'D & REDRAWN  
 EC NO: ETC2007-0100  
 2006/10/02  
 DRAWN:RSTONE  
 2006/10/02  
 CHKD:J MACNEIL  
 2006/10/02  
 APPR:JMACNEIL  
 2006/10/02

QUALITY SYMBOLS  
 ▽=0  
 ▽=0

GENERAL TOLERANCES (UNLESS SPECIFIED)

	mm	INCH
4 PLACES	± ---	± ---
3 PLACES	± ---	± ---
2 PLACES	± ---	± .01
1 PLACE	± 0.25	± ---
ANGULAR ± 1/2°		

DRAFT WHERE APPLICABLE MUST REMAIN WITHIN DIMENSIONS

DIMENSION STYLE  
 IN/MM

DRAWN BY  
 R. STONE

DATE  
 2002/05/14

CHECKED BY  
 S. GILBERT

DATE  
 2002/11/11

APPROVED BY  
 P. WALTZ

DATE  
 2002/11/12

MATERIAL NO.  
 847000001

SIZE  
 B

SCALE  
 1:1

DESIGN UNITS  
 INCH

THIRD ANGLE PROJECTION

TITLE  
 RECEPTACLE, RJ-45  
 PCB, PANEL MOUNT  
 INDUSTRIAL ETHERNET

MOLEX INCORPORATED

DOCUMENT NO.  
 SD-84700-007

SHEET NO.  
 1 OF 1

THIS DRAWING CONTAINS INFORMATION THAT IS PROPRIETARY TO MOLEX INCORPORATED AND SHOULD NOT BE USED WITHOUT WRITTEN PERMISSION