

**Part Number:** [0638114800](#)  
**Status:** **Active**  
**Description:** Hand Crimp Tool

**General**

Product Family	Application Tooling
Series	<u>T0102</u>
Comments	See Tooling Specification (PDF) Above
Function	Crimp
Geographic Area	Global
Level of Automation	Manual
Product Name	PremiumGrade™
Tool Type	Handtool

**Material Info**



**EU RoHS**

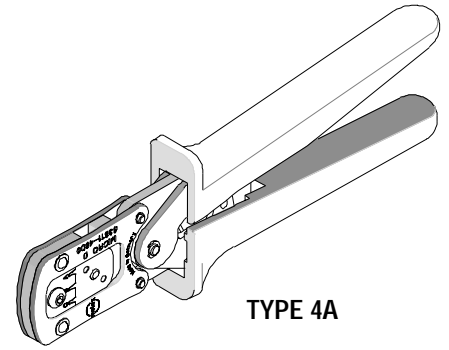
**RoHS Compliance  
Not Required**

**China RoHS**



# HAND CRIMP TOOL SPECIFICATION SHEET

Part No. 63811-4800



TYPE 4A

## FEATURES

- A full cycle ratcheting hand tool ensures complete crimps
- Ergonomically designed soft handles
- Precisely designed crimping profiles with simple contact positioning
- Easy handling due to outstanding force ratio
- Three interchangeable color-coded terminal locators to accommodate the entire Micro D terminal line.
- A-620 Class 3 compliant and RoHS compliant

## SCOPE

Products: 1.27mm (.050") Pitch Ulti-Mate™ Commerical Micro D, 26-28 AWG.

Terminal Series No.	Terminal Order No.			Wire Size		Insulation Diameter		Strip Length	
	Loose Piece	Reel		AWG	mm <sup>2</sup>	mm	In.	mm	In.
83000	83000-0083	83000-9502	83000-9558	26	0.12	0.89-1.02	.035-.040	1.30-1.60	.051-.063
	83000-0106	83000-9503	83000-9559						
	83000-0110	83000-9547	83000-9561						
	83000-9560	83000-9550	83000-9562						
		83000-9557							
	83000-0083	83000-9502	83000-9558	28	0.08	0.50-1.00	.020-.039	1.30-1.60	.051-.063
	83000-0106	83000-9503	83000-9559						
	83000-0110	83000-9547	83000-9561						
	83000-9560	83000-9550	83000-9562						
		83000-9557							

↔ Customer to cut off terminal from reel: 0.15mm (.006") maximum Cut-Off Tab.

⚠ Insulation diameters below 0.63mm (.029") may not provide A-620 Class 3 compliant insulation crimps.  
Customer to determine suitability for these applications.

**PARTS LIST**

Item Number	Order Number	Description	Quantity
1	63600-0520	Crimping Spring	2
2	63800-0525	Handle Spring	1
3	63811-4875	Locator-Blue	1
4	63811-4876	Locator-Red	1
5	63811-4877	Locator-Yellow	1

