

Datasheet
Modular Plugs and Jacks [Overview](#)

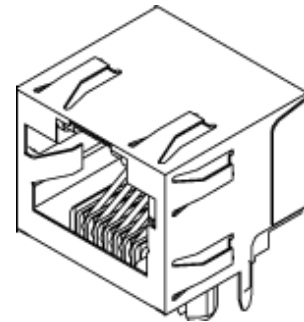
[[Home](#) > [Products](#) > [Jacks](#) > [Datasheet](#)]

43860-0013

Modular Jack, Right Angle, Low Profile, Inverted, Shielded, Offset Panel Grounding Tabs, 8/8

[View all parts in series 43860](#)
[2D Dimensioning](#)
[Print this page](#)
[Samples](#)
[Buy](#)

Status	Active
Access Level	Internet
Component	PCB Jack
Ports	1
Positions / Loaded Contacts	8/8
Orientation	Right Angle (Side Entry)
Inverted / Top Latch	Yes
Product Name	RJ45
Performance Category	3
Shielded	Yes
Shielding Effectiveness	20 dB min.
Lightpipes/LEDs	None
MOUNTING	
Profile	Low
Grounding to Panel	Offset Panel Ground Tabs
Grounding to PCB	Rear Position PCB Ground Tab
PCB Mounting	Through Hole
Surface Mount Compatible (SMC)	Yes
PCB Retention	Snap-in Plastic Peg
PCB Thickness	1,6mm (.062")
PHYSICAL	
Contact	Phosphor Bronze (CuSn)
Plating Contact	1,3µm (50µ") Gold (Au)
Plating Tail	2,5µm (100µ") Tin (Sn)
Under Plating	Nickel (Ni)
Packaging	Tray
Housing Material	PA Polyamide (Nylon), High Temperature, Glass-filled
Color	Black
Flammability	UL 94V-0
Durability [mating cycles] min.	500 cycles
ELECTRICAL	



**This part is
ELV and RoHS
COMPLIANT**

ENVIRONMENT	
RoHS Compliant	Yes
Lead-free Process Capability Tested	No
Lead-free Process Capability	Wave Capable (TH only)

Features and Benefits

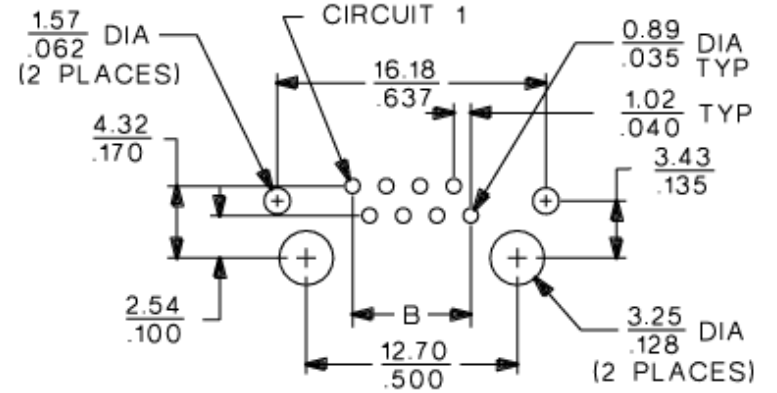
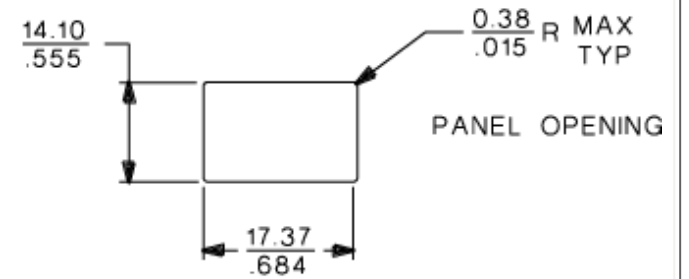
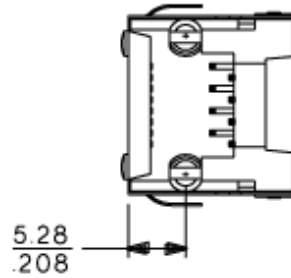
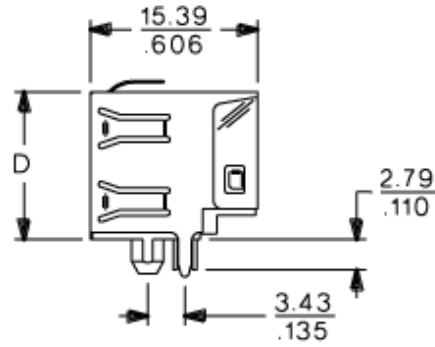
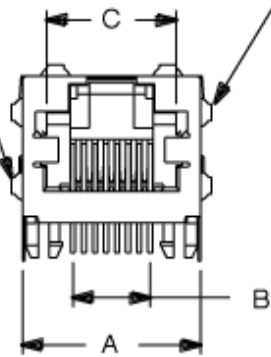
- 100% electrically tested for hi-pot and continuity
- Inverted plug latch on top for easy insertion and extraction
- Mating contacts on bottom of inverted jack provide shorter leads to reduce electrical noise
- Connector designed for through hole PCB mounting and pin-through-paste soldering
- Tabs on shield provide enhanced grounding to panel

Current-max [amps]	1.5A
Voltage-max [volts]	125V
Withstanding Voltage	1000V AC
Contact Resistance [ohms]	10 milliohms max.
Insulation Resistance [ohms]	500 Megohms min.
REFERENCE	
UL File Number	E107635
CSA File Number	LR19980
Mates With	FCC 68 Plugs
Temperature Range	-40°C to +70°C
MX01 Catalog Page	O-37
990 Catalog Page	O-30
Product Specification	PS-43860-001
Overview	Right Angle Modular Jacks[0603]
Circuits / Positions	8
Loaded Contacts	8
Universal Service Order Code	RJ45
Pitch / Center Spacing	1.02mm (.040")
Rows (No Display)	1
Molex Series	43860
Last Changed Date	2005-05
Product Management	Hirsch, Marty
Lab Office	UCP
Customer Approved	Matsushita Electric Industrial, Siemens

2D DRAWING - For reference only. See technical [Drawing \(PDF\)](#) for design-in purposes.

DIMENSIONS	
Mounted Height	13.53mm (.533")
Mounted Width	16.38mm (.645")
Designed In	Inches
Dimension A	16.38mm (.645")
Dimension B	7.11mm (.280")
Dimension C	11.91mm (.469")
Dimension D	13.54mm (.533")
First Contact to End	5.55mm (.2185")

OPTIONAL GROUND
TABS (SEE CHART)



PCB LAYOUT : COMPONENT SIDE
RECOMMENDED PCB THICKNESS : $\frac{1.57}{.062}$