

Datasheet
Modular Plugs and Jacks [Overview](#)

[Modular Plugs and](#)

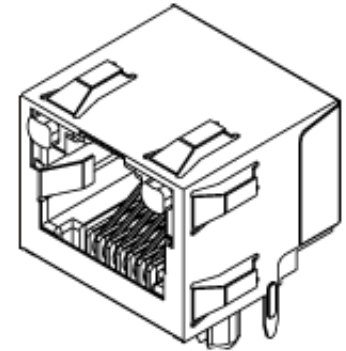
[[Home](#) > [Products](#) > [Jacks](#) > [Datasheet](#)]

43860-0009

Modular Jack, Right Angle, Low Profile, Inverted, Lightpipes, 6/4

[View all parts in series 43860](#)
[3D Dimensions](#)
[Email this page](#)
[Samples](#)
[Buy](#)

Status	Active
Access Level	Internet
Component	PCB Jack
Ports	1
Positions / Loaded Contacts	6/4
Orientation	Right Angle (Side Entry)
Inverted / Top Latch	Yes
Product Name	RJ11
Performance Category	3
Shielded	No
Lightpipes/LEDs	Lightpipes
MOUNTING	
Profile	Low
Grounding to PCB	No
PCB Mounting	Through Hole
Surface Mount Compatible (SMC)	No
PCB Retention	Snap-in Plastic Peg
PCB Thickness	1.6mm (.062")
PHYSICAL	
Contact	Phosphor Bronze (CuSn)
Plating Contact	1.3µm (50µ") Gold (Au)
Plating Tail	2.5µm (100µ") Tin (Sn)
Under Plating	Nickel (Ni)
Packaging	Tube
Housing Material	PA Polyamide (Nylon), High Temperature, Glass-filled
Color	Black
Flammability	UL 94V-0
Durability (mating cycles) min.	500 cycles
ELECTRICAL	
Current-max [amps]	1.5A
Voltage-max [volts]	125V
Withstanding Voltage	1000V AC
Contact Resistance [ohms]	20 milliohms max.
Insulation Resistance [ohms]	500 Megohms min.
REFERENCE	
UL File Number	E107635
CSA File Number	LR149980



**This part is
ELV and RoHS
COMPLIANT**

ENVIRONMENT	
RoHS Compliant	Yes
Lead-free Process Capability Tested	No
Lead-free Process Capability	Wave Capable (TH only)

Features and Benefits

- Lightpipes offer lower electrical noise than LED jacks
- 100% electrically tested for hi-pot and continuity
- Inverted plug latch on top for easy insertion and extraction
- Mating contacts on bottom of inverted jack provide shorter leads to reduce electrical noise
- Lightpipes require 33% fewer PC tails than LED jacks

