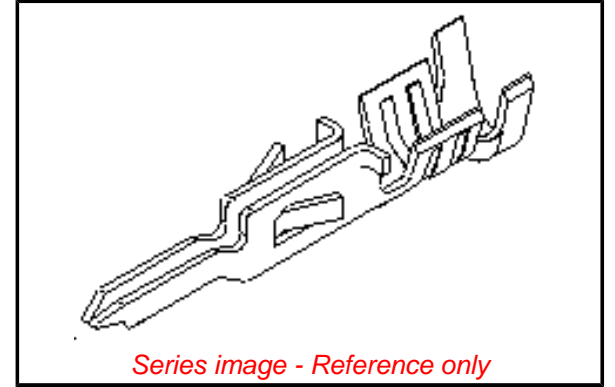


Part Number: [0430310012](#)
Status: **Active**
Overview: [Micro-Fit, 3.0™](#)
Description: Micro-Fit 3.0™ Crimp Terminal, Male, with Select Gold (Au) Plated Tin/Brass Alloy Contact, 26-30 AWG, Bag



Series image - Reference only

General

Product Family	Crimp Terminals
Series	43031
Overview	Micro-Fit, 3.0™
Product Name	Micro-Fit 3.0™

Physical

Gender	Male
Material - Metal	Phosphor Bronze
Material - Plating Mating	Gold
Material - Plating Termination	Tin
Packaging Type	Bag
Plating min: Mating (µin)	30
Plating min: Mating (µm)	0.76
Plating min: Termination (µin)	100
Plating min: Termination (µm)	2.5
Termination Interface: Style	Crimp or Compression
Wire Insulation Diameter	1.27mm (.050") max.
Wire Size AWG	26
Wire Size AWG	28
Wire Size AWG	30
Wire Size mm ²	N/A

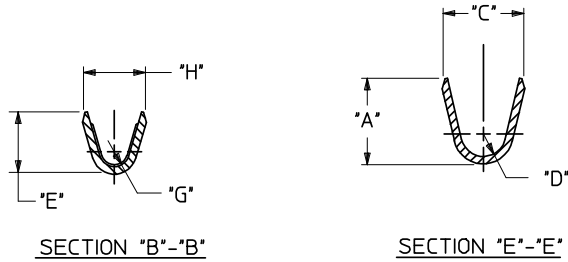
Material Info

EU RoHS
ELV and RoHS
Compliant

China RoHS

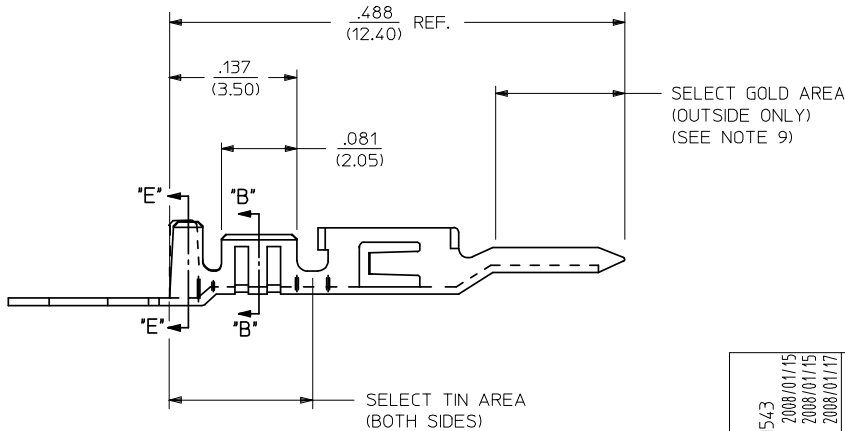
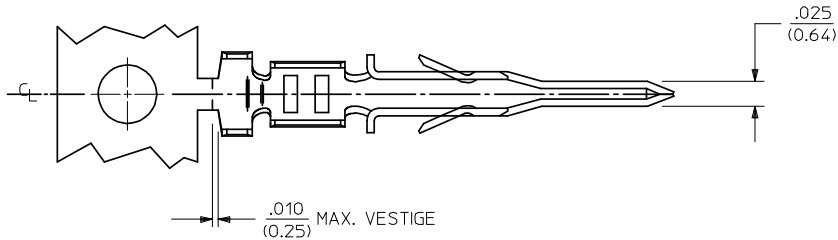


Need more information on product environmental compliance?



AWG:	MAX. INSULATION
20-24	.073/(1.85)
26-30	.050/(1.27)

ITEM NUMBER	PLATING OPTION	WIRE SIZE	ASSEMBLY OPTION	"A" ±.016 (±0.41)	"C" ±.012 (±0.30)	"D" ±.005 (±0.13)	"E" ±.016 (±0.41)	"G" ±.005 (±0.13)	"H" ±.012 (±0.30)
43031-0001	A	20-24	CHAIN	.090/(2.29)	.100/(2.54)	.030/(0.76) R.	.075/(1.91)	.025/(0.64) R.	.082/(2.08)
43031-0002	B	20-24	CHAIN	.090/(2.29)	.100/(2.54)	.030/(0.76) R.	.075/(1.91)	.025/(0.64) R.	.082/(2.08)
43031-0003	C	20-24	CHAIN	.090/(2.29)	.100/(2.54)	.030/(0.76) R.	.075/(1.91)	.025/(0.64) R.	.082/(2.08)
43031-0004	A	26-30	CHAIN	.075/(1.91)	.083/(2.10)	.025/(0.64) R.	.058/(1.47)	.020/(0.51) R.	.065/(1.65)
43031-0005	B	26-30	CHAIN	.075/(1.91)	.083/(2.10)	.025/(0.64) R.	.058/(1.47)	.020/(0.51) R.	.065/(1.65)
43031-0006	C	26-30	CHAIN	.075/(1.91)	.083/(2.10)	.025/(0.64) R.	.058/(1.47)	.020/(0.51) R.	.065/(1.65)
43031-0007	A	20-24	LOOSE	.090/(2.29)	.100/(2.54)	.030/(0.76) R.	.075/(1.91)	.025/(0.64) R.	.082/(2.08)
43031-0008	B	20-24	LOOSE	.090/(2.29)	.100/(2.54)	.030/(0.76) R.	.075/(1.91)	.025/(0.64) R.	.082/(2.08)
43031-0009	C	20-24	LOOSE	.090/(2.29)	.100/(2.54)	.030/(0.76) R.	.075/(1.91)	.025/(0.64) R.	.082/(2.08)
43031-0010	A	26-30	LOOSE	.075/(1.91)	.083/(2.10)	.025/(0.64) R.	.058/(1.47)	.020/(0.51) R.	.065/(1.65)
43031-0011	B	26-30	LOOSE	.075/(1.91)	.083/(2.10)	.025/(0.64) R.	.058/(1.47)	.020/(0.51) R.	.065/(1.65)
43031-0012	C	26-30	LOOSE	.075/(1.91)	.083/(2.10)	.025/(0.64) R.	.058/(1.47)	.020/(0.51) R.	.065/(1.65)



NOTES:

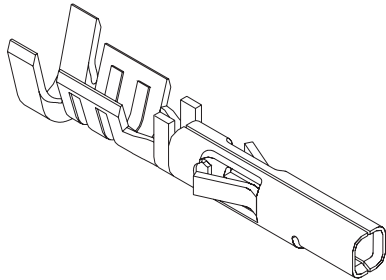
- 1) MATERIAL : PHOSPHOR BRONZE ALLOY
- 2) TERMINAL PLATING:
 A= HOT TIN DIP: .000040/(0.00102) MIN.
 B= .000015/(0.00038) MIN. SELECT GOLD
 .000100/(0.002543) MIN. SELECT TIN
 OVER .000050/(0.00127) MIN. NICKEL
 C= .000030/(0.00076) MIN. SELECT GOLD
 .000100/(0.002543) MIN. SELECT TIN
 OVER .000050/(0.00127) MIN. NICKEL
 * MATERIAL NUMBERS WITH SELECT PLATING ARE POST-PLATED AFTER FORMING.
- 3) PRODUCT SPECIFICATION : PS-43045, PS-43650, PS-44300-001
- 4) PACKAGING SPECIFICATION: PK-43031-001
- 5) TERMINAL FOR USE IN MICRO FIT PLUG 43020-****, 43640-****, AND 44300-****.
- 6) FOR TERMINAL ORIENTATION IN PLUG SEE DRAWING SDA-43020-**** OR SD-43640-****.
- 7) THIS TERMINAL IS DESIGNED IN METRIC.
- 8) THE PRIMARY SHIPPING CARTON WILL BE LABELED "COMPLIANT TO RoHS DIRECTIVE 2002/95/EC AND ELV ANNEX II OF DIRECTIVE 2000/53/EC." CARTONS WITHOUT THIS LABEL MAY CONTAIN PRODUCT WITH TIN/LEAD IN THE PC TAIL AREA.
- 9) SOME GOLD MAY BE PRESENT ON INSIDE SURFACE.



REMOVE MXN EC NO: UCP2008-1543 DRWN:MKIPPER 2008/01/15 CHKD:SSOUSEK 2008/01/15 APPR:FSMLTH 2008/01/17	QUALITY SYMBOLS ▽=0 ▽=0	GENERAL TOLERANCES (UNLESS SPECIFIED) mm INCH	DIMENSION STYLE IN/MM	SCALE NONE	DESIGN UNITS METRIC	THIRD ANGLE PROJECTION
		4 PLACES ±--- ±--- 3 PLACES ±--- ±.014 2 PLACES ±0.25 ±.010 1 PLACE ±0.35 ±--- ANGULAR ±1/2°	DRAWN BY DATE MUELLER 2002/08/13 CHECKED BY DATE MUELLER 2002/08/13 APPROVED BY DATE MARGULIS 2002/08/13	TITLE MICRO-FIT (3.0) MALE TERMINAL	MATERIAL NO. SEE CHART	DOCUMENT NO. SD-43031-****
DRAFT WHERE APPLICABLE MUST REMAIN WITHIN DIMENSIONS		THIS DRAWING CONTAINS INFORMATION THAT IS PROPRIETARY TO MOLEX INCORPORATED AND SHOULD NOT BE USED WITHOUT WRITTEN PERMISSION				

3.00mm (.118") Pitch Micro-Fit 3.0™ Terminal

43030
Female



Features and Benefits

- 4 points of contact for optimum reliability
- Box-type spring contact for high normal force
- Locking tang secures terminal in housing

Reference Information

Product Specification: PS-43045/PS-43650
Packaging: Bag or reel
UL File No.: E29179
CSA File No.: LR19980
TUV License No.: R72040445
Use With: 43025, 43645 and 44133 receptacles
Designed In: Millimeters

Electrical

Voltage: 250V
Current: 5.0A max.
Contact Resistance: 10 milliohms max.

Mechanical

Contact Insertion Force: 1.5kgf max. (3.30 lb)
Contact Retention to Housing: 2.5kgf min. (5.50 lb)
Crimping Pull-Out Force:

Wire Gauge (AWG)	Kgf min. (lb)
20	6.0 (13.2)
22	4.5 (9.9)
24	3.6 (7.9)
26	2.7 (5.9)
28	1.8 (3.9)
30	1.4 (3.0)

Mating Force: 1.0kgf max. (2.2 lb) per contact
Normal Force: 375gf max. (0.32 lb)

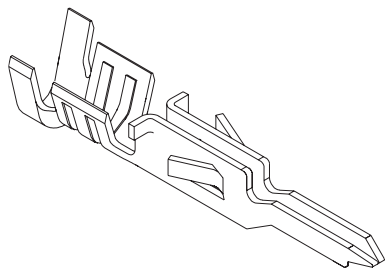
Physical

Contact: Phosphor Bronze
Plating: Tin or Gold

Wire Size AWG	Plating	Order No.		Lead-free
		Reel	Bag	
20-24	Tin	43030-0001	43030-0007	Yes
26-30		43030-0004	43030-0010	
20-24	15µ" Gold	43030-0002	43030-0008	
26-30		43030-0005	43030-0011	
20-24	30µ" Gold	43030-0003	43030-0009	
26-30		43030-0006	43030-0012	

3.00mm (.118") Pitch Micro-Fit 3.0™ Terminal

43031
Male



Features and Benefits

- Box-type spring contact for high normal force
- Locking tang secures terminal in housing

Reference Information

Product Specification: PS-43045/PS-43650
Packaging: Bag or reel
UL File No.: E29179
CSA File No.: LR19980
TUV License No.: R72040445
Use With: 43020, 43640 and 44300 plugs
Designed In: Millimeters

Electrical

Voltage: 250V
Current: 5.0A max.
Contact Resistance: 10 milliohms max.

Mechanical

Contact Insertion Force: 1.5kgf max. (3.30 lb)
Contact Retention to Housing: 2.5kgf min. (5.50 lb)
Crimping Pull-Out Force:

Wire Gauge	Kgf min. (lb)
20	6.0 (13.2)
22	4.5 (9.9)
24	3.6 (7.9)
26	2.7 (5.9)
28	1.8 (3.9)
30	1.4 (3.0)

Physical

Contact: Phosphor Bronze
Plating: Tin or Gold

Wire Size AWG	Plating	Order No.		Lead-free
		Reel	Bag	
20-24	Tin	43031-0001	43031-0007	Yes
26-30		43031-0004	43031-0010	
20-24	15µ" Gold	43031-0002	43031-0008	
26-30		43031-0005	43031-0011	
20-24	30µ" Gold	43031-0003	43031-0009	
26-30		43031-0006	43031-0012	