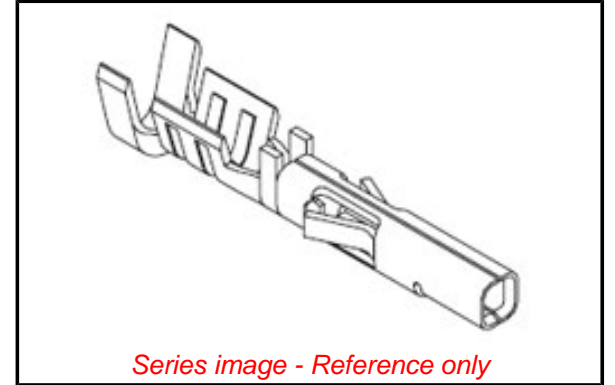


Part Number: [0430300010](#)

Status: **Active**

Overview: [Micro-Fit, 3.0™](#)

Description: Micro-Fit 3.0™ Crimp Terminal, Female, with Select Tin (Sn) Plated Tin/Brass Alloy Contact, 26-30 AWG, Bag



Series image - Reference only

General

Product Family	Crimp Terminals
Series	43030
Overview	Micro-Fit, 3.0™
Product Name	Micro-Fit 3.0™

Physical

Gender	Female
Material - Metal	Phosphor Bronze
Material - Plating Mating	Tin
Material - Plating Termination	Tin
Packaging Type	Bag
Plating min: Mating (µin)	40
Plating min: Mating (µm)	1.00
Plating min: Termination (µin)	40
Plating min: Termination (µm)	1.00
Termination Interface: Style	Crimp or Compression
Wire Insulation Diameter	1.27mm (.050") max.
Wire Size AWG	26
Wire Size AWG	28
Wire Size AWG	30
Wire Size mm ²	N/A

Material Info

EU RoHS

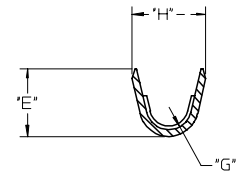
**ELV and RoHS
Compliant**

China RoHS

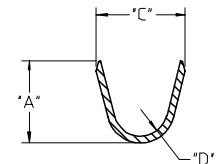


WIRE SIZE	MAX INSULATION	"A" ±.012 ±0.30	"C" ±.012 ±0.30	"D" ±.005 ±0.13	"E" ±.012 ±0.30	"G" ±.005 ±0.13	"H" ±.012 ±0.30
20-24	.073/1.85	.090/2.29	.100/2.54	.030/0.76	.075/1.91	.025/0.64	.082/2.08
26-30	.050/1.27	.075/1.91	.083/2.10	.025/0.64	.058/1.47	.020/0.51	.065/1.65

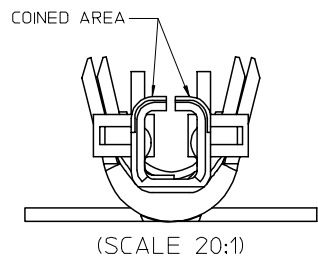
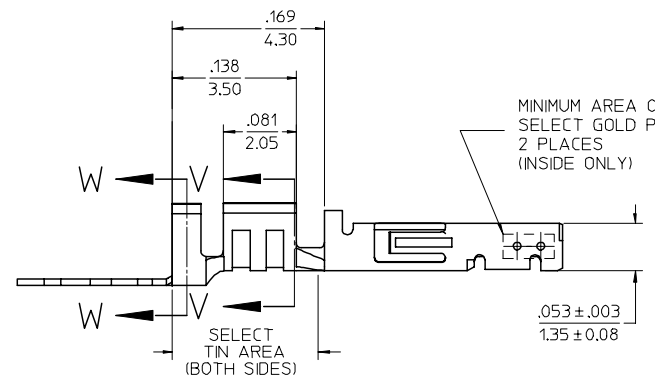
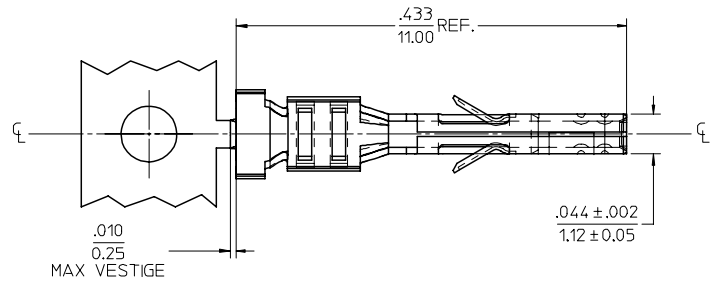
MATERIAL NUMBER	PLATING	WIRE SIZE	FORM
43030-0001	A	20-24	CHAIN
43030-0002	B	20-24	CHAIN
43030-0003	C	20-24	CHAIN
43030-0004	A	26-30	CHAIN
43030-0005	B	26-30	CHAIN
43030-0006	C	26-30	CHAIN
43030-0007	A	20-24	LOOSE
43030-0008	B	20-24	LOOSE
43030-0009	C	20-24	LOOSE
43030-0010	A	26-30	LOOSE
43030-0011	B	26-30	LOOSE
43030-0012	C	26-30	LOOSE



SECTION V-V



SECTION W-W



NOTES

- 1) MATERIAL: PHOSPHOR BRONZE ALLOY
- 2) TERMINAL PLATING:
 A - HOT TIN DIP: .000040/0.00102 MIN.
 B - .000015/0.00038 MIN. SELECT GOLD
 .000100/0.00254 MIN. SELECT TIN
 ALL OVER .000050/0.00127 MIN. NICKEL OVERALL.
 C - .000030/0.00076 MIN. SELECT GOLD
 .000100/0.00254 MIN. SELECT TIN
 ALL OVER .000050/0.00127 MIN. NICKEL OVERALL.
 * THE PRIMARY SHIPPING CARTON WILL BE LABELED "COMPLIANT TO ROHS DIRECTIVE 2002/95/EC AND ELV ANNEX II OF DIRECTIVE 2000/53/EC." CARTONS WITHOUT THIS LABEL MAY CONTAIN PRODUCT WITH TIN/LEAD IN THE PC TAIL AREA.
 MATERIAL NUMBERS WITH SELECT PLATING ARE POST PLATED.
- 3) PRODUCT SPECIFICATION: PS-43045, PS-43650, PS-44300-001.
- 4) PACKAGING SPECIFICATION: PK-43030-001
- 5) TERMINAL FOR USE IN A MICRO FIT RECEPTACLE #43025-****, 43645-****, AND 44133-****.
- 6) FOR TERMINAL ORIENTATION IN RECEPTACLE SEE DRAWING #SDA-43025 OR SDA-43645.
- 7) THIS TERMINAL IS DESIGNED IN METRIC.
- 8) MOLEX RECOMMENDS THE USE OF MICRO-FIT TEST PLUG (SERIES 44242) WHENEVER CONTINUITY TESTING IS PERFORMED. TEST PLUGS MUST NOT BE USED TO MAKE OR BREAK UNDER LOAD. MOLEX DOES NOT RECOMMEND USING STANDARD MATING COMPONENTS (SERIES 43020, 43045, 43640, 43650, OR 43031) FOR HARNESS TESTING PURPOSES.

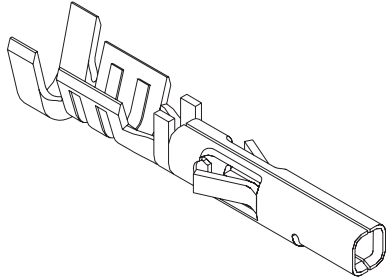
REDRAWN FC NO: UICP2007-1159 DRAWN/PRI/DDR CHKD:SSOUSEK APPR:FSM TH 2007/05/03 2007/05/04 2007/05/08	QUALITY SYMBOLS ▽=0 ▽=0	GENERAL TOLERANCES (UNLESS SPECIFIED)		DIMENSION STYLE IN/MM		SCALE 10:1	DESIGN UNITS METRIC	THIRD ANGLE PROJECTION	
		4 PLACES ± --- ± ---	mm INCH	DRAWN BY MUELLER	DATE 2002/08/03	TITLE MICRO-FIT (3.0) FEMALE CRIMP TERMINAL			
		3 PLACES ± --- ± .010		CHECKED BY MUELLER	DATE 2002/08/03	MOLEX INCORPORATED			
		2 PLACES ± 0.25 ± .014 1 PLACE ± 0.35 ± --- ANGULAR ±1/2°		APPROVED BY MARGULIS	DATE 2002/08/03	MATERIAL NO. SEE CHART	DOCUMENT NO. SD-43030-****	SHEET NO. 1 OF 1	

DRAFT WHERE APPLICABLE MUST REMAIN WITHIN DIMENSIONS

THIS DRAWING CONTAINS INFORMATION THAT IS PROPRIETARY TO MOLEX INCORPORATED AND SHOULD NOT BE USED WITHOUT WRITTEN PERMISSION

3.00mm (.118") Pitch Micro-Fit 3.0™ Terminal

43030
Female



Features and Benefits

- 4 points of contact for optimum reliability
- Box-type spring contact for high normal force
- Locking tang secures terminal in housing

Reference Information

Product Specification: PS-43045/PS-43650
Packaging: Bag or reel
UL File No.: E29179
CSA File No.: LR19980
TUV License No.: R72040445
Use With: 43025, 43645 and 44133 receptacles
Designed In: Millimeters

Electrical

Voltage: 250V
Current: 5.0A max.
Contact Resistance: 10 milliohms max.

Mechanical

Contact Insertion Force: 1.5kgf max. (3.30 lb)
Contact Retention to Housing: 2.5kgf min. (5.50 lb)
Crimping Pull-Out Force:

Wire Gauge (AWG)	Kgf min. (lb)
20	6.0 (13.2)
22	4.5 (9.9)
24	3.6 (7.9)
26	2.7 (5.9)
28	1.8 (3.9)
30	1.4 (3.0)

Mating Force: 1.0kgf max. (2.2 lb) per contact
Normal Force: 375gf max. (0.32 lb)

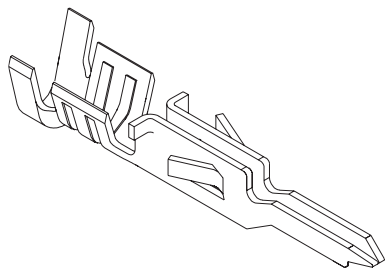
Physical

Contact: Phosphor Bronze
Plating: Tin or Gold

Wire Size AWG	Plating	Order No.		Lead-free
		Reel	Bag	
20-24	Tin	43030-0001	43030-0007	Yes
26-30		43030-0004	43030-0010	
20-24	15µ" Gold	43030-0002	43030-0008	
26-30		43030-0005	43030-0011	
20-24	30µ" Gold	43030-0003	43030-0009	
26-30		43030-0006	43030-0012	

3.00mm (.118") Pitch Micro-Fit 3.0™ Terminal

43031
Male



Features and Benefits

- Box-type spring contact for high normal force
- Locking tang secures terminal in housing

Reference Information

Product Specification: PS-43045/PS-43650
Packaging: Bag or reel
UL File No.: E29179
CSA File No.: LR19980
TUV License No.: R72040445
Use With: 43020, 43640 and 44300 plugs
Designed In: Millimeters

Electrical

Voltage: 250V
Current: 5.0A max.
Contact Resistance: 10 milliohms max.

Mechanical

Contact Insertion Force: 1.5kgf max. (3.30 lb)
Contact Retention to Housing: 2.5kgf min. (5.50 lb)
Crimping Pull-Out Force:

Wire Gauge	Kgf min. (lb)
20	6.0 (13.2)
22	4.5 (9.9)
24	3.6 (7.9)
26	2.7 (5.9)
28	1.8 (3.9)
30	1.4 (3.0)

Physical

Contact: Phosphor Bronze
Plating: Tin or Gold

Wire Size AWG	Plating	Order No.		Lead-free
		Reel	Bag	
20-24	Tin	43031-0001	43031-0007	Yes
26-30		43031-0004	43031-0010	
20-24	15µ" Gold	43031-0002	43031-0008	
26-30		43031-0005	43031-0011	
20-24	30µ" Gold	43031-0003	43031-0009	
26-30		43031-0006	43031-0012	