

Switch Language

English

Need Assistance?

[Contact Us](#)  
[Find a Distributor](#)  
[Order Samples](#)  
[Tech Library](#)

[Printer-friendly page](#)

[Email this page](#)

[Home](#)   [Crimp Housings](#)   [Datasheet](#)

**Part Number:** 0430201200

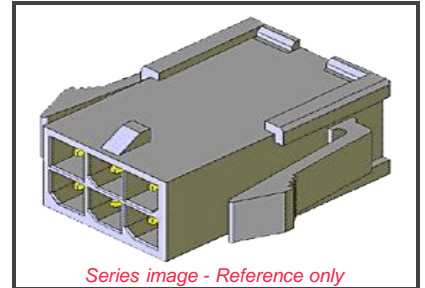
**Status:** Active   **Overview:** [Micro-Fit, 3.0™](#)

**Description:** 3.00mm (.118") Pitch Micro-Fit 3.0™ Plug Housing, Dual Row, with Panel Mount Ears, 12 Circuits

**Documents:**

*Note - Please disable browser pop-up blockers for documents on [www.molex.com](http://www.molex.com)*

- [Drawing \(PDF\)](#)   [Product Specification PS-43045 \(PDF\)](#)
- [3D Model](#)   [Product Literature \(PDF\)](#)
- [Related Catalog Page \(PDF\)](#)



**Order Products:**

[Check Distributor Inventory](#)   [Add to My Parts](#)  
[Request Samples](#)

**Part Detail:** [\(show all\)](#)

[General](#)   [Physical](#)   [Electrical](#)   [Material Info](#)

**General**

Product Family	Crimp Housings
Series	<a href="#">43020</a>
Comments	Glow Wire Equivalent Part Number <a href="#">430201208</a>
Overview	<a href="#">Micro-Fit, 3.0™</a>
Product Name	Micro-Fit 3.0™

**Physical**

Circuits (maximum)	12
Circuits Detail	12
Color - Resin	Black
Flammability	94V-0
Gender	Male
Lock to Mating Part	Yes
Material - Resin	Polyester
Number of Rows	2
Packaging Type	Bag
Panel Mount	Yes
Pitch - Mating Interface (in)	0.118 In
Pitch - Mating Interface (mm)	3.00 mm
Pitch - Term. Interface (in)	0.118 In
Pitch - Term. Interface (mm)	3.00 mm
Polarized to Mating Part	Yes
Stackable	No
Temperature Range - Operating	-40°C to +105°C

**Electrical**

CSA	LR19980
TUV	R9650433
UL	E29179

**Material Info**

**EU RoHS**   **China RoHS**  
**ELV and RoHS Compliant**



**Need more information on product compliance?**

Email [productcompliance@molex.com](mailto:productcompliance@molex.com)

Please visit the [Contact Us](#) section for any non-product compliance questions.

**Search Parts in this Series**

[43020](#) Series

**Mates With**

[43025](#) Micro-Fit 3.0™ Receptacle Housing

**Use With**

Micro-Fit 3.0™ Crimp Terminal, Male

**Reference - Drawing Numbers**

Product Specification  
Sales Drawing

PS-43045  
SDA-43020-\*\*\*\*

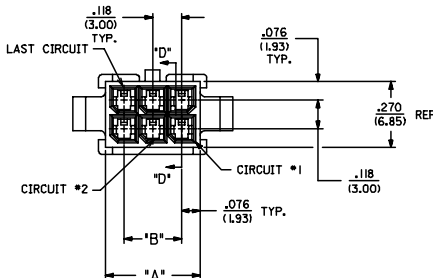
---

[Feedback](#) [Privacy](#) [Legal](#) [Site Map](#) [Help](#)

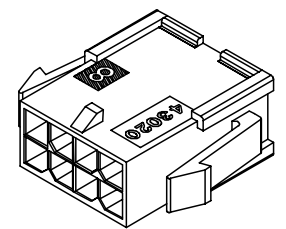
Copyright 2005-2008

ASSEMBLY ITEM NUMBER	PART CHARACTERISTICS	
	NUMBER OF POSITION	PANEL MOUNT OPTION
43020-0200	02	YES
43020-0201	02	NO
43020-0400	04	YES
43020-0401	04	NO
43020-0600	06	YES
43020-0601	06	NO
43020-0800	08	YES
43020-0801	08	NO
43020-1000	10	YES
43020-1001	10	NO
43020-1200	12	YES
43020-1201	12	NO
43020-1400	14	YES
43020-1401	14	NO
43020-1600	16	YES
43020-1601	16	NO
43020-1800	18	YES
43020-1801	18	NO
43020-2000	20	YES
43020-2001	20	NO
43020-2200	22	YES
43020-2201	22	NO
43020-2400	24	YES
43020-2401	24	NO

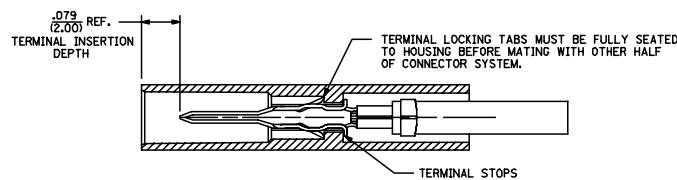
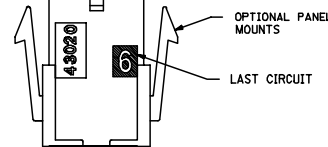
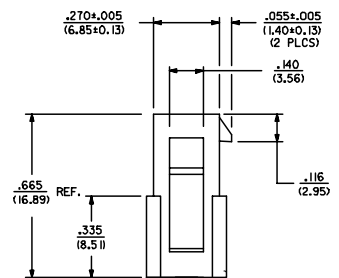
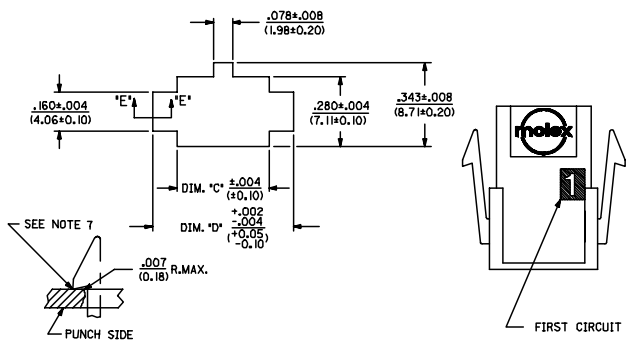
CKT. NO.	DIM. 'A'	DIM. 'B'	DIM. 'C'	DIM. 'D'
2	.152/(3.86)	N/A	.166/(4.21)	.311/(7.90)
4	.270/(6.85)	.118/(3.00)	.284/(7.21)	.429/(10.90)
6	.388/(9.85)	.236/(6.00)	.402/(10.21)	.547/(13.89)
8	.506/(12.85)	.354/(9.00)	.520/(13.21)	.665/(16.89)
10	.624/(15.85)	.472/(12.00)	.638/(16.21)	.783/(19.89)
12	.742/(18.85)	.591/(15.00)	.756/(19.21)	.901/(22.89)
14	.860/(21.85)	.709/(18.00)	.874/(22.20)	1.019/(25.88)
16	.978/(24.85)	.827/(21.00)	.992/(25.20)	1.137/(28.88)
18	1.096/(27.85)	.945/(24.00)	1.110/(28.20)	1.255/(31.88)
20	1.215/(30.85)	1.063/(27.00)	1.229/(31.22)	1.373/(34.87)
22	1.333/(33.85)	1.181/(30.00)	1.347/(34.22)	1.491/(37.87)
24	1.451/(36.85)	1.299/(33.00)	1.465/(37.22)	1.609/(40.87)



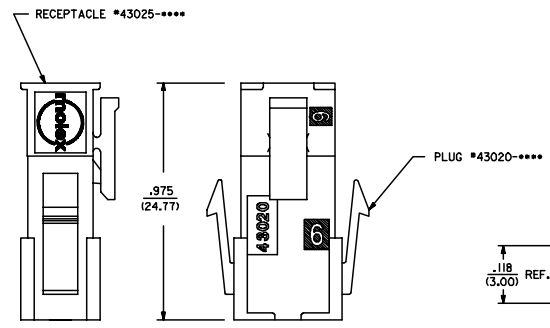
- NOTES:
- 1) HOUSING MATERIAL: UNFILLED POLYESTER (PBT), UL 94V-0  
COLOR - BLACK
  - 2) PRODUCT SPECIFICATION: PS-43045
  - 3) THIS HOUSING MATES WITH MICRO-FIT RECEPTACLE #43025-\*\*\*\*\*
  - 4) THIS HOUSING TO BE USED WITH MOLEX MALE TERMINAL #43031-\*\*\*\*\*
  - 5) DESIGNED FOR .055(1.4) MINIMUM TO A .100(2.54) MAXIMUM THICK PANEL OR PRINTED CIRCUIT BOARD.
  - 6) SEE SECTION "D"-D" FOR TERMINAL ORIENTATION IN HOUSING.
  - 7) PANEL MOUNT FEATURES MUST LOCK ON SIDE OPPOSITE PUNCH SIDE FOR OPTIMUM RETENTION.



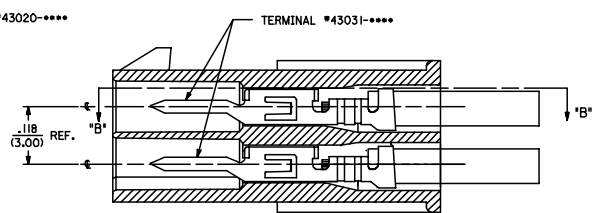
PLUG WITH OPTIONAL PANEL MOUNTS  
ISO VIEW  
(8 CIRCUIT SHOWN)



SECTION "B"-B"



MATED MICRO-FIT CONNECTOR



SECTION "D"-D"  
WITH TERMINAL SCALE 8X

<b>UPDATED NOTES</b> EEC NO: UCP2006-0610 DRAWN BY: 2005/12/15 CHKD BY: 2005/12/16 APPR BY: 2005/12/16 REV 1	<b>QUALITY SYMBOLS</b> ▽=0 ▽=0	<b>GENERAL TOLERANCES (UNLESS SPECIFIED)</b>		<b>DIMENSION STYLE</b> IN/MM		<b>SCALE</b> 4:1	<b>DESIGN UNITS</b> METRIC	<b>THIRD ANGLE PROJECTION</b>
		4 PLACES ± --- ± --- 3 PLACES ± --- ± .010 2 PLACES ± 0.25 ± .014 1 PLACE ± 0.35 ± --- ANGULAR ±1/2°	mm INCH	DRAWN BY: AFG CHECKED BY: BAP APPROVED BY: RAS DATE: 1993/01/07 DATE: 1993/01/07 DATE: 1993/01/07	TITLE MICRO-FIT(3.0) 2 THRU 24 CIRCUIT PLUG WITH OPTIONAL PANEL MOUNTS	MATERIAL NO. SDA-43020-*****	DOCUMENT NO. SDA-43020-*****	SHEET NO. 1 OF 1
		DRAFT WHERE APPLICABLE MUST REMAIN WITHIN DIMENSIONS		SEE CHART		MOLEX INCORPORATED		
		THIS DRAWING CONTAINS INFORMATION THAT IS PROPRIETARY TO MOLEX INCORPORATED AND SHOULD NOT BE USED WITHOUT WRITTEN PERMISSION						