

Switch Language

English 

Need Assistance?

- [Contact Us](#)
- [Find a Distributor](#)
- [Order Samples](#)
- [Tech Library](#)

[Printer-friendly page](#)

[Email this page](#)

[Home](#) [Crimp Housings](#) [Datasheet](#)

Part Number: 0430200201

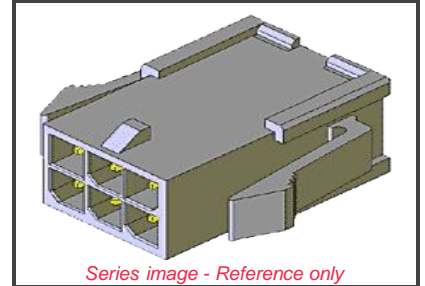
Status: Active **Overview:** [Micro-Fit, 3.0™](#)

Description: 3.00mm (.118") Pitch Micro-Fit 3.0™ Plug Housing, Dual Row, without Panel Mount Ears, 2 Circuits

Documents:

Note - Please disable browser pop-up blockers for documents on www.molex.com

- | | |
|--|--|
| Drawing (PDF) | Product Specification PS-43045 (PDF) |
| 3D Model | Product Literature (PDF) |
| Related Catalog Page (PDF) | |



Order Products:

- | | |
|---|---------------------------------|
| Check Distributor Inventory | Add to My Parts |
| Request Samples | |

Part Detail: ([show all](#))

[General](#) [Physical](#) [Electrical](#) [Material Info](#)

General

Product Family	Crimp Housings
Series	43020
Overview	Micro-Fit, 3.0™
Product Name	Micro-Fit 3.0™

Physical

Circuits (maximum)	2
Circuits Detail	2
Color - Resin	Black
Flammability	94V-0
Gender	Male
Lock to Mating Part	Yes
Material - Resin	Polyester
Number of Rows	2
Packaging Type	Bag
Panel Mount	No
Pitch - Mating Interface (in)	0.118 In
Pitch - Mating Interface (mm)	3.00 mm
Pitch - Term. Interface (in)	0.118 In
Pitch - Term. Interface (mm)	3.00 mm
Polarized to Mating Part	Yes
Stackable	No
Temperature Range - Operating	-40°C to +105°C

Electrical

CSA	LR19980
TUV	R9650433
UL	E29179

Material Info

Reference - Drawing Numbers

Product Specification	PS-43045
-----------------------	----------

EU RoHS
ELV and RoHS Compliant

China RoHS



Need more information on product compliance?

Email productcompliance@molex.com

Please visit the [Contact Us](#) section for any non-product compliance questions.

Search Parts in this Series

[43020 Series](#)

Mates With

[43025 Micro-Fit 3.0™ Receptacle Housing](#)

Use With

[Micro-Fit 3.0™ Crimp Terminal, Male](#)

| Sales Drawing

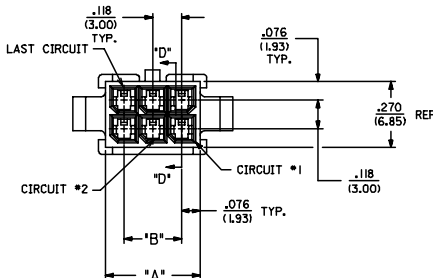
SDA-43020-****

[Feedback](#) [Privacy](#) [Legal](#) [Site Map](#) [Help](#)

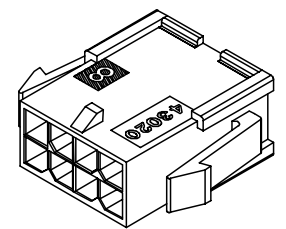
Copyright 2005-2008

ASSEMBLY ITEM NUMBER	PART CHARACTERISTICS	
	NUMBER OF POSITION	PANEL MOUNT OPTION
43020-0200	02	YES
43020-0201	02	NO
43020-0400	04	YES
43020-0401	04	NO
43020-0600	06	YES
43020-0601	06	NO
43020-0800	08	YES
43020-0801	08	NO
43020-1000	10	YES
43020-1001	10	NO
43020-1200	12	YES
43020-1201	12	NO
43020-1400	14	YES
43020-1401	14	NO
43020-1600	16	YES
43020-1601	16	NO
43020-1800	18	YES
43020-1801	18	NO
43020-2000	20	YES
43020-2001	20	NO
43020-2200	22	YES
43020-2201	22	NO
43020-2400	24	YES
43020-2401	24	NO

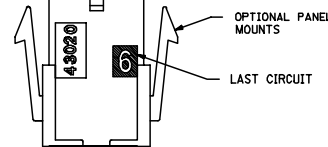
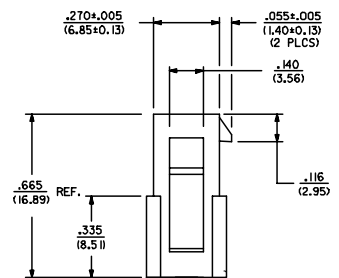
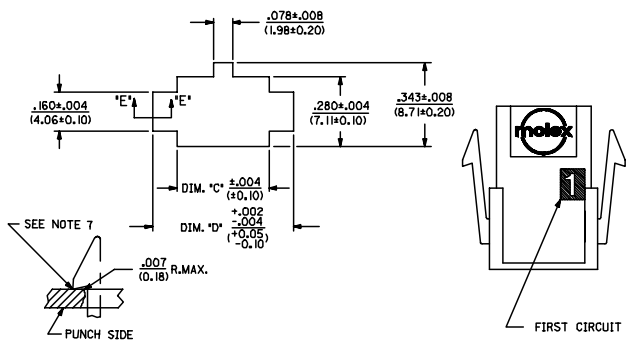
CKT. NO.	DIM. 'A'	DIM. 'B'	DIM. 'C'	DIM. 'D'
2	.152/(3.86)	N/A	.166/(4.21)	.311/(7.90)
4	.270/(6.85)	.118/(3.00)	.284/(7.21)	.429/(10.90)
6	.388/(9.85)	.236/(6.00)	.402/(10.21)	.547/(13.89)
8	.506/(12.85)	.354/(9.00)	.520/(13.21)	.665/(16.89)
10	.624/(15.85)	.472/(12.00)	.638/(16.21)	.783/(19.89)
12	.742/(18.85)	.591/(15.00)	.756/(19.21)	.901/(22.89)
14	.860/(21.85)	.709/(18.00)	.874/(22.21)	1.019/(25.88)
16	.978/(24.85)	.827/(21.00)	.992/(25.21)	1.137/(28.88)
18	1.096/(27.85)	.945/(24.00)	1.110/(28.21)	1.255/(31.88)
20	1.215/(30.85)	1.063/(27.00)	1.229/(31.21)	1.373/(34.87)
22	1.333/(33.85)	1.181/(30.00)	1.347/(34.21)	1.491/(37.87)
24	1.451/(36.85)	1.299/(33.00)	1.465/(37.21)	1.609/(40.87)



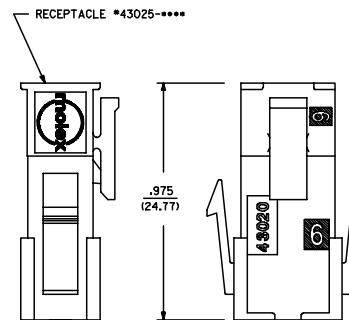
- NOTES:
- 1) HOUSING MATERIAL: UNFILLED POLYESTER (PBT), UL 94V-0
COLOR - BLACK
 - 2) PRODUCT SPECIFICATION: PS-43045
 - 3) THIS HOUSING MATES WITH MICRO-FIT RECEPTACLE #43025-*****
 - 4) THIS HOUSING TO BE USED WITH MOLEX MALE TERMINAL #43031-*****
 - 5) DESIGNED FOR .055(1.4) MINIMUM TO A .100(2.54) MAXIMUM THICK PANEL OR PRINTED CIRCUIT BOARD.
 - 6) SEE SECTION "D"-D FOR TERMINAL ORIENTATION IN HOUSING.
 - 7) PANEL MOUNT FEATURES MUST LOCK ON SIDE OPPOSITE PUNCH SIDE FOR OPTIMUM RETENTION.



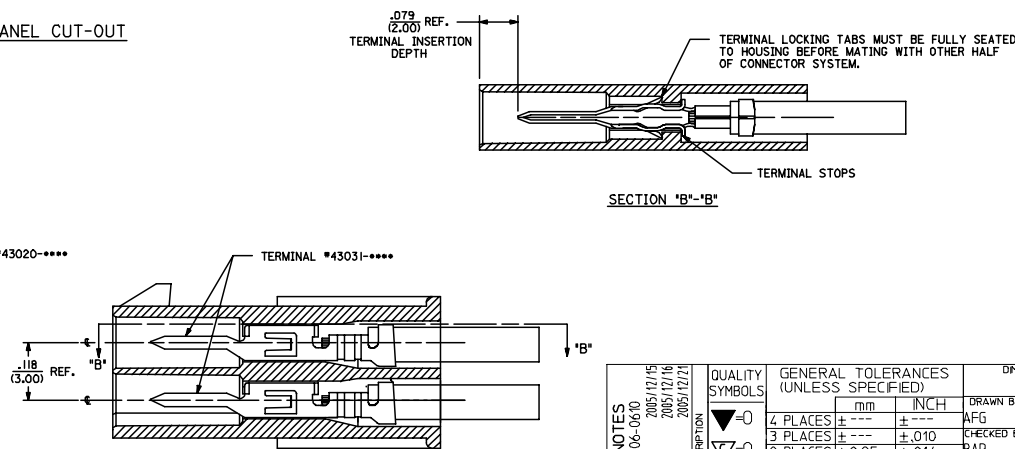
PLUG WITH OPTIONAL PANEL MOUNTS
ISO VIEW
(8 CIRCUIT SHOWN)



RECOMMENDED PANEL CUT-OUT



MATED MICRO-FIT CONNECTOR

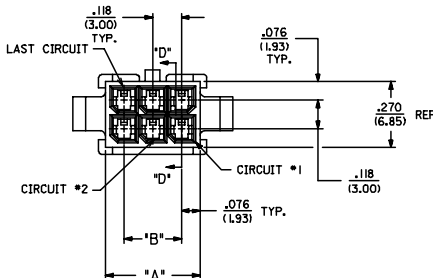


SECTION "D"-D' WITH TERMINAL SCALE 8X

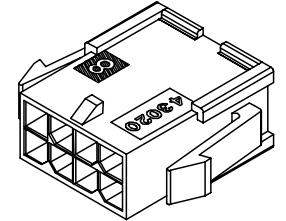
QUALITY SYMBOLS ▽=0 ▽=0	GENERAL TOLERANCES (UNLESS SPECIFIED) mm INCH 4 PLACES ± .10 ± .005 3 PLACES ± .15 ± .010 2 PLACES ± 0.25 ± .014 1 PLACE ± 0.35 ± .018 ANGULAR ±1/2°	DIMENSION STYLE IN/MM DRAWN BY DATE AFG 1993/01/07 CHECKED BY DATE BAP 1993/01/07 APPROVED BY DATE RAS 1993/01/07	SCALE 4:1 DESIGN UNITS METRIC THIRD ANGLE PROJECTION	TITLE MICRO-FIT(3.0) 2 THRU 24 CIRCUIT PLUG WITH OPTIONAL PANEL MOUNTS MOLEX INCORPORATED	MATERIAL NO. DOCUMENT NO. SDA-43020-***** SHEET NO. 1 OF 1
	DRAFT WHERE APPLICABLE MUST REMAIN WITHIN DIMENSIONS SEE CHART THIS DRAWING CONTAINS INFORMATION THAT IS PROPRIETARY TO MOLEX INCORPORATED AND SHOULD NOT BE USED WITHOUT WRITTEN PERMISSION				

ASSEMBLY ITEM NUMBER	PART CHARACTERISTICS	
	NUMBER OF POSITION	PANEL MOUNT OPTION
43020-0200	02	YES
43020-0201	02	NO
43020-0400	04	YES
43020-0401	04	NO
43020-0600	06	YES
43020-0601	06	NO
43020-0800	08	YES
43020-0801	08	NO
43020-1000	10	YES
43020-1001	10	NO
43020-1200	12	YES
43020-1201	12	NO
43020-1400	14	YES
43020-1401	14	NO
43020-1600	16	YES
43020-1601	16	NO
43020-1800	18	YES
43020-1801	18	NO
43020-2000	20	YES
43020-2001	20	NO
43020-2200	22	YES
43020-2201	22	NO
43020-2400	24	YES
43020-2401	24	NO

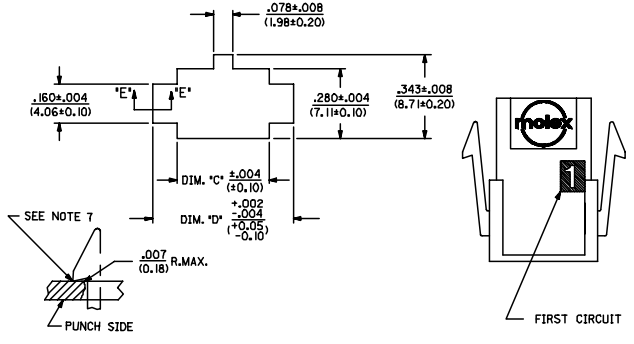
CKT. NO.	DIM. 'A'	DIM. 'B'	DIM. 'C'	DIM. 'D'
2	.152/(3.86)	N/A	.166/(4.21)	.311/(7.90)
4	.270/(6.85)	.118/(3.00)	.284/(7.21)	.429/(10.90)
6	.388/(9.85)	.236/(6.00)	.402/(10.21)	.547/(13.89)
8	.506/(12.85)	.354/(9.00)	.520/(13.21)	.665/(16.89)
10	.624/(15.85)	.472/(12.00)	.638/(16.21)	.783/(19.89)
12	.742/(18.85)	.591/(15.00)	.756/(19.21)	.901/(22.89)
14	.860/(21.85)	.709/(18.00)	.874/(22.21)	1.019/(25.88)
16	.978/(24.85)	.827/(21.00)	.992/(25.21)	1.137/(28.88)
18	1.096/(27.85)	.945/(24.00)	1.110/(28.21)	1.255/(31.88)
20	1.215/(30.85)	1.063/(27.00)	1.229/(31.21)	1.373/(34.87)
22	1.333/(33.85)	1.181/(30.00)	1.347/(34.21)	1.491/(37.87)
24	1.451/(36.85)	1.299/(33.00)	1.465/(37.21)	1.609/(40.87)



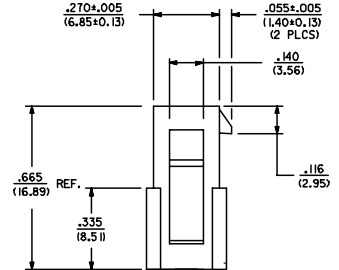
- NOTES:
- 1) HOUSING MATERIAL: UNFILLED POLYESTER (PBT), UL 94V-0
COLOR - BLACK
 - 2) PRODUCT SPECIFICATION: PS-43045
 - 3) THIS HOUSING MATES WITH MICRO-FIT RECEPTACLE #43025-*****
 - 4) THIS HOUSING TO BE USED WITH MOLEX MALE TERMINAL #43031-*****
 - 5) DESIGNED FOR .055(1.4) MINIMUM TO A .100(2.54) MAXIMUM THICK PANEL OR PRINTED CIRCUIT BOARD.
 - 6) SEE SECTION "D"- "D" FOR TERMINAL ORIENTATION IN HOUSING.
 - 7) PANEL MOUNT FEATURES MUST LOCK ON SIDE OPPOSITE PUNCH SIDE FOR OPTIMUM RETENTION.



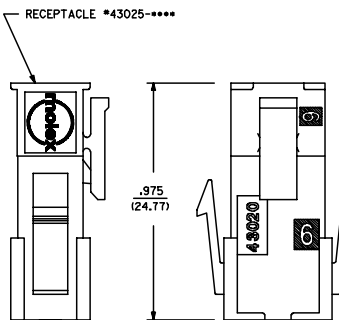
PLUG WITH OPTIONAL
PANEL MOUNTS
ISO VIEW
(8 CIRCUIT SHOWN)



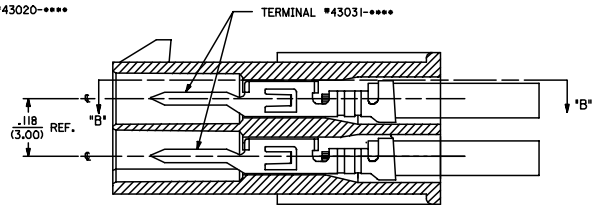
SECTION "E"- "E"
(NO SCALE)
RECOMMENDED PANEL CUT-OUT



SECTION "B"- "B"



MATED MICRO-FIT CONNECTOR



SECTION "D"- "D"
WITH TERMINAL
SCALE 8X

QUALITY SYMBOLS	GENERAL TOLERANCES (UNLESS SPECIFIED)		DIMENSION STYLE		SCALE	DESIGN UNITS	THIRD ANGLE PROJECTION
	mm	INCH	IN/MM	IN/IN			
▽=0	4 PLACES ± .010	± .010	DRAWN BY	DATE	4:1	METRIC	
▽=0	3 PLACES ± .010	± .010	AFG	1993/01/07			
▽=0	2 PLACES ± 0.25	± .014	CHECKED BY	DATE			
	1 PLACE ± 0.35	± .014	BAP	1993/01/07			
	ANGULAR ±1/2°		APPROVED BY	DATE			
			RAS	1993/01/07			
DRAFT WHERE APPLICABLE MUST REMAIN WITHIN DIMENSIONS			SEE CHART		TITLE: MICRO-FIT(3.0) 2 THRU 24 CIRCUIT PLUG WITH OPTIONAL PANEL MOUNTS MOLEX INCORPORATED		
MATERIAL NO.			DOCUMENT NO.		SHEET NO.		
SIZE D			SDA-43020-*****		1 OF 1		
THIS DRAWING CONTAINS INFORMATION THAT IS PROPRIETARY TO MOLEX INCORPORATED AND SHOULD NOT BE USED WITHOUT WRITTEN PERMISSION							

REV	DESCRIPTION
1	APPROVALS
	DATE
	BY
	DATE
	BY
	DATE

UPDATED NOTES
 EEC NO: UCP2006-0610
 2005/12/15
 DRWNS:SSWISSEK
 2005/12/16
 CHKD:SSWISSEK
 2005/12/16
 APPR:FSM:JH
 2005/12/21