

Series image - Reference only

EU RoHS

China RoHS

RoHS Compliant by Exemption



Lead-free Process CapabilityWave Capable (TH only)

Search Parts in this Series

[39860 Series](#)

Mates With

[39860-1104](#) vertical header with threaded retention inserts, [39860-1204](#) horizontal header with threaded retention inserts, [39860-1504](#) vertical surface mount compatible header with threaded retention inserts, [39860-1604](#) horizontal surface mount compatible header with threaded retention inserts

Part Number: **0398601004**

Status: **Obsolete**

Description: 5.08mm (.200") Pitch Beau™ Eurostyle™ Horizontal Plug, with Retention Screws, 4 Circuits

Documents:

[Drawing \(PDF\)](#)

Order Products:

[Check Distributor Inventory](#)

Part Detail: [\(show all\)](#)

○	General	
○	Physical	
○	Electrical	
○	Material Info	
○	Reference - Drawing Numbers	

General

Product Family	Terminal Blocks
Series	<u>39860</u>
Application	Wire-to-Board
Comments	Gold plating available
Component Type	Plug
Product Name	Eurostyle™ Pluggable
Replacement Part Number	<u>39534-0004</u>
Type	Euro Block

Physical

Circuits (Loaded)	4
Color - Resin	Black
Entry Angle	Horizontal
Flammability	94V0
Lock to Mating Part	Yes
Material - Metal	Phosphor Bronze
Material - Plating Mating	Tin
Material - Plating Termination	Tin
Material - Resin	Nylon
Number of Rows	1
Orientation	Horizontal
PCB Retention	N/A
Panel Mount	No
Pitch - Mating Interface (in)	0.200 In
Pitch - Mating Interface (mm)	5.08 mm
Plating min: Mating (uin)	200
Plating min: Mating (um)	5
Plating min: Termination (uin)	200
Plating min: Termination (um)	5
Polarized to Mating Part	Yes
Stackable	No
Temperature Range - Operating	105°C
Wire Size AWG	12
Wire Size AWG	14
Wire Size AWG	16
Wire Size AWG	18
Wire Size AWG	20
Wire Size AWG	22
Wire Size AWG	24
Wire Size AWG	26

Wire Size mm ²	0.20 - 2.50
---------------------------	-------------

Electrical

CSA	LR25562
Current - Maximum	15.000 Amp
UL	E48521
Voltage - Maximum	300V

Material Info

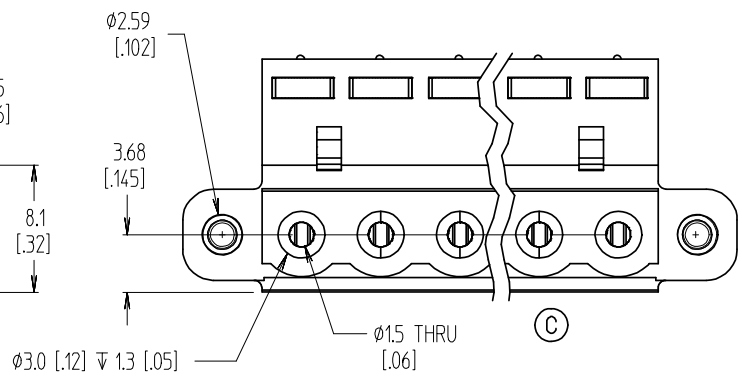
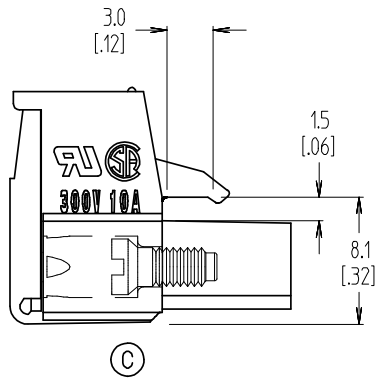
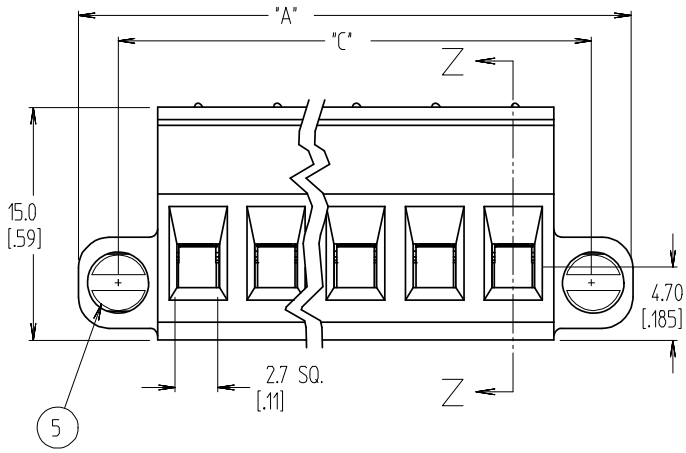
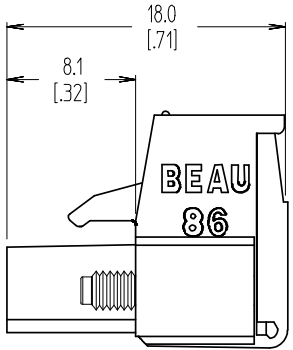
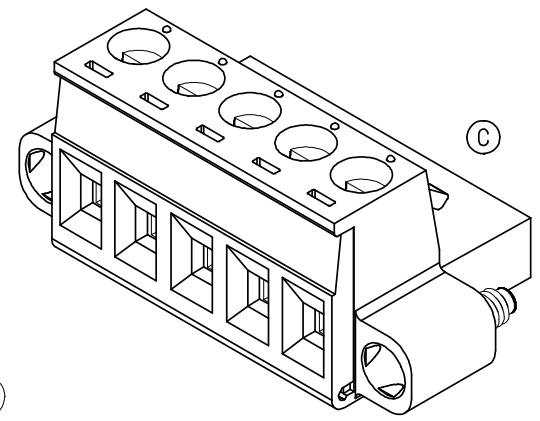
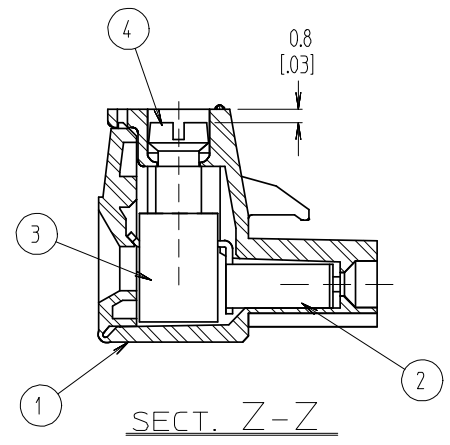
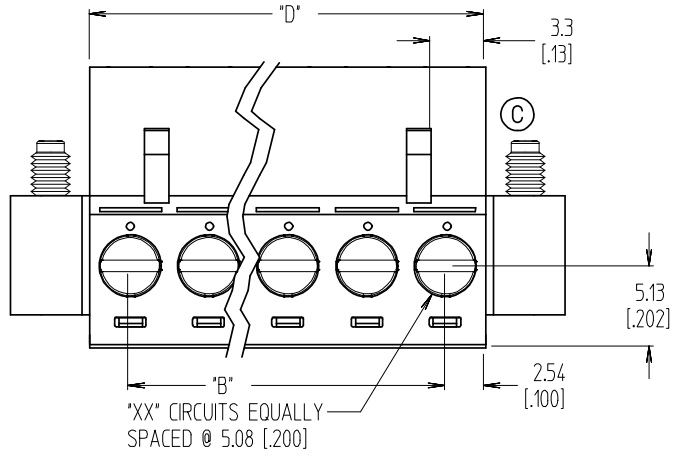
Old Part Number	864504
-----------------	--------

Reference - Drawing Numbers

Sales Drawing	SD-39860-012
---------------	--------------

NOTES: (C)

1. MATERIAL: SEE TABLE
2. FINISHES: SEE TABLE
3. "XX" REFERS TO THE QUANTITY OF CIRCUITS.
4. REFER TO DWG SD-38120-004 FOR OPTIONAL IMPRINTING (-10A AND -11A).
5. INCH DIMS ARE SHOWN IN BRACKETS [XXX].
6. ALL COMPONENTS ARE ROHS COMPLIANT.



ITEM	QTY.	DESCRIPTION	MATERIAL	FINISH
5	2	MOUNTING SCREW, M2.5 X 0.45	STEEL	NICKEL PLATE
4	XX	SCREW, M3 X 0.5	STEEL	ZN, CLEAR CHROMATE
		SCREW, M3 X 0.5 (-G30 OPTION)	PHOS. BRONZE	TIN PLATE
3	XX	RISING CAGE CLAMP	BRASS	NICKEL PLATE
2	XX	TERMINAL	PHOS. BRONZE	TIN PLATE
		TERMINAL (-G30 OPTION)	PHOS. BRONZE	GOLD PLATE
1	1	INSULATOR	POLYAMIDE	SEE CHART

REMOVE DOVETAIL
 EC NO: ETC2006-0520
 DRWN: CYORK 2006/07/12
 CHKD: ROROSS 2006/07/13
 APPR: RDEROSS 2006/07/13

QUALITY SYMBOLS
 ▼=0
 ▽=0

GENERAL TOLERANCES (UNLESS SPECIFIED)	
	mm INCH
4 PLACES	± --- ± ---
3 PLACES	± --- ± .005
2 PLACES	± 0.13 ± .01
1 PLACE	± 0.25 ± ---
ANGULAR ± 2 °	

DRAFT WHERE APPLICABLE
 MUST REMAIN WITHIN DIMENSIONS

DIMENSION STYLE	
MM/IN	
DRAWN BY	DATE
C. YORK	2004/05/05
CHECKED BY	DATE
R. KEMP	2004/05/05
APPROVED BY	DATE
GHR	2004/05/05
MATERIAL NO.	SEE SHT. 2

SCALE	DESIGN UNITS	THIRD ANGLE PROJECTION
3:1	INCH	☉
TITLE		
5.08MM [0.200"] PLUGGABLE SR BTS ASSY WITH MTG.		
MOLEX INCORPORATED		
MATERIAL NO.	DOCUMENT NO.	SHEET NO.
SEE SHT. 2	SD-39860-012	1 OF 2
THIS DRAWING CONTAINS INFORMATION THAT IS PROPRIETARY TO MOLEX INCORPORATED AND SHOULD NOT BE USED WITHOUT WRITTEN PERMISSION		

NO. OF CIRC. "XX"	DIM. "A"		DIM. "B"		DIM. "C"		DIM. "D"		BLACK (STD.) MATERIAL NO.	BLACK MATERIAL NO. (-G30 OPT)	BLACK MATERIAL NO. (-10A OPT)	BLACK MATERIAL NO. (-11A OPT)	GREEN MATERIAL NO.
02	20.32	[.800]	5.08	[.200]	15.24	[.600]	10.16	[.400]	39860-1002	39861-1002	39862-1002	39863-1002	39860-4002
03	25.40	[1.000]	10.16	[.400]	20.32	[.800]	15.24	[.600]	39860-1003	39861-1003	39862-1003	39863-1003	39860-4003
04	30.48	[1.200]	15.24	[.600]	25.40	[1.000]	20.32	[.800]	39860-1004	39861-1004	39862-1004	39863-1004	39860-4004
05	35.56	[1.400]	20.32	[.800]	30.48	[1.200]	25.40	[1.000]	39860-1005	39861-1005	39862-1005	39863-1005	39860-4005
06	40.64	[1.600]	25.40	[1.000]	35.56	[1.400]	30.48	[1.200]	39860-1006	39861-1006	39862-1006	39863-1006	39860-4006
07	45.72	[1.800]	30.48	[1.200]	40.64	[1.600]	35.56	[1.400]	39860-1007	39861-1007	39862-1007	39863-1007	39860-4007
08	50.80	[2.000]	35.56	[1.400]	45.72	[1.800]	40.64	[1.600]	39860-1008	39861-1008	39862-1008	39863-1008	39860-4008
09	55.88	[2.200]	40.64	[1.600]	50.80	[2.000]	45.72	[1.800]	39860-1009	39861-1009	39862-1009	39863-1009	39860-4009
10	60.96	[2.400]	45.72	[1.800]	55.88	[2.200]	50.80	[2.000]	39860-1010	39861-1010	39862-1010	39863-1010	39860-4010
11	66.04	[2.600]	50.80	[2.000]	60.96	[2.400]	55.88	[2.200]	39860-1011	39861-1011	39862-1011	39863-1011	39860-4011
12	71.12	[2.800]	55.88	[2.200]	66.04	[2.600]	60.96	[2.400]	39860-1012	39861-1012	39862-1012	39863-1012	39860-4012
13	76.20	[3.000]	60.96	[2.400]	71.12	[2.800]	66.04	[2.600]	39860-1013	39861-1013	39862-1013	39863-1013	39860-4013
14	81.28	[3.200]	66.04	[2.600]	76.20	[3.000]	71.12	[2.800]	39860-1014	39861-1014	39862-1014	39863-1014	39860-4014
15	86.36	[3.400]	71.12	[2.800]	81.28	[3.200]	76.20	[3.000]	39860-1015	39861-1015	39862-1015	39863-1015	39860-4015
16	91.44	[3.600]	76.20	[3.000]	86.36	[3.400]	81.28	[3.200]	39860-1016	39861-1016	39862-1016	39863-1016	39860-4016
17	96.52	[3.800]	81.28	[3.200]	91.44	[3.600]	86.36	[3.400]	39860-1017	39861-1017	39862-1017	39863-1017	39860-4017
18	101.60	[4.000]	86.36	[3.400]	96.52	[3.800]	91.44	[3.600]	39860-1018	39861-1018	39862-1018	39863-1018	39860-4018
19	106.68	[4.200]	91.44	[3.600]	101.60	[4.000]	96.52	[3.800]	39860-1019	39861-1019	39862-1019	39863-1019	39860-4019
20	111.76	[4.400]	96.52	[3.800]	106.68	[4.200]	101.60	[4.000]	39860-1020	39861-1020	39862-1020	39863-1020	39860-4020
21	116.84	[4.600]	101.60	[4.000]	111.76	[4.400]	106.68	[4.200]	39860-1021	39861-1021	39862-1021	39863-1021	39860-4021
22	121.92	[4.800]	106.68	[4.200]	116.84	[4.600]	111.76	[4.400]	39860-1022	39861-1022	39862-1022	39863-1022	39860-4022
23	127.00	[5.000]	111.76	[4.400]	121.92	[4.800]	116.84	[4.600]	39860-1023	39861-1023	39862-1023	39863-1023	39860-4023
24	132.08	[5.200]	116.84	[4.600]	127.00	[5.000]	121.92	[4.800]	39860-1024	39861-1024	39862-1024	39863-1024	39860-4024

SEE SHEET 1 EEC NO: ETC2006-0520 DRWN: CYORK 2006/07/12 CHKD: RDEROSS 2006/07/13 APPR: RDEROSS 2006/07/13 REV DESCRIPTION	QUALITY SYMBOLS	GENERAL TOLERANCES (UNLESS SPECIFIED)	DIMENSION STYLE	SCALE	DESIGN UNITS	THIRD ANGLE PROJECTION
	▽=0 ▽=0	mm INCH 4 PLACES ± --- ± --- 3 PLACES ± --- ± .005 2 PLACES ± 0.13 ± .01 1 PLACE ± 0.25 ± --- ANGULAR ± 2 °	MM/IN	3:1	INCH	DRAWN BY DATE C. YORK 2004/05/05 CHECKED BY DATE R. KEMP 2004/05/05 APPROVED BY DATE GHR 2004/05/05
		DRAFT WHERE APPLICABLE MUST REMAIN WITHIN DIMENSIONS		TITLE		
				5.08MM [.200"] PLUGGABLE SR BTS ASSY WITH MTG.		
			MATERIAL NO. SEE CHART		DOCUMENT NO. SD-39860-012	SHEET NO. 2 OF 2
			THIS DRAWING CONTAINS INFORMATION THAT IS PROPRIETARY TO MOLEX INCORPORATED AND SHOULD NOT BE USED WITHOUT WRITTEN PERMISSION			

Beau® Eurostyle™ PCB Terminal Blocks

Fixed, One Piece or Pluggable, Two Piece

Molex manufactures a wide variety of Eurostyle terminal blocks to fit your connector needs.

Whether you need a fixed, single-piece solution, or a pluggable, two-piece combination, Eurostyle terminal blocks from Molex provide a quality connection every time.

Beau Eurostyle terminal blocks are available from 3.50mm (.138") pitch to 15.00mm (.591") pitch, with current ratings ranging from 10.0A to 115.0A per circuit. Choose a small pitch spacing to conserve space where PCB real estate is limited. Or, select one of our 600V blocks for high power applications. The range of styles, configurations, pitches and ratings makes it easy for you to find the right connector for your design.

Features and Benefits

- Rising cage clamp termination provides a secure connection without strand damage or intermittence
- High-power terminal blocks available in both fixed or pluggable configurations
- Pitch sizes range from 3.50mm (.138") to 15.00mm (.591")
- Industry standard interface
- Various imprinting styles available making wiring and repair faster and easier in the field
- Optional mounting ends ensure plugs maintain connection with PCB headers
- Current ratings ranging from 10.0A to 115.0A
- Some PCB headers available as surface mount compatible
- RoHS and ELV Compliant
- UL recognized and CSA approved

Plugs



Features and Benefits

- Rising cage clamp wire termination provides secure, reliable contact
- Industry standard interface for compatibility with existing board layouts
- Made from self-extinguishing nylon material, UL 94 V-0 flammability rating

Reference Information

UL File No.: E48521
UL Guide No.: XCFR2
CSA File No.: 025562

Circuits	Series	Pitch	Orientation	Current	Voltage	Wire Range (AWG)	Lead-free
2-12	39371	7.50 (.295)	Horizontal	12.0A	300V	14-30	Yes
	39374		Vertical				
2-24	39860	5.08 (.200)	Horizontal and Vertical	15.0A		12-26	
	39870	5.00 (.197)				16-26	
2-21	39900	3.81 (.150)	Vertical	12.0A		16-24	
2-20	39351	3.50 (.138)	Horizontal	10.0A		16-24	

Headers



Features and Benefits

- Surface Mount Compatible headers available in 5.00 and 5.08mm (.197 and .200")
- Industry standard interface for compatibility with existing board layouts
- Made from self-extinguishing nylon material, UL 94 V-0 flammability rating

Reference Information

UL File No.: E48521
UL Guide No.: XCFR2
CSA File No.: 025562

Circuits	Series	Pitch	Orientation	Current	Voltage	Lead-free
2-12	39373	7.50 (.295)	Horizontal	12.0A	300V	Yes
	39372		Vertical			
2-24	39860	5.08 (.200)	Horizontal and Vertical	15.0A		
	39870	5.00 (.197)				
2-21	39900	3.81 (.150)		10.0A		
2-20	39355, 39353	3.50 (.138)				