

Switch Language

English

Need Assistance?

[Contact Us](#)
[Find a Distributor](#)
[Order Samples](#)
[Tech Library](#)

[Printer-friendly page](#)

[Email this page](#)

[Home](#) [Terminal Blocks](#) [Datasheet](#)

Part Number: 0391001212

Status: Active

Description: 12.00mm (.472") Pitch Beau™ Eurostyle™ Two-Screw Terminal Strips, 12 Circuits

Documents:

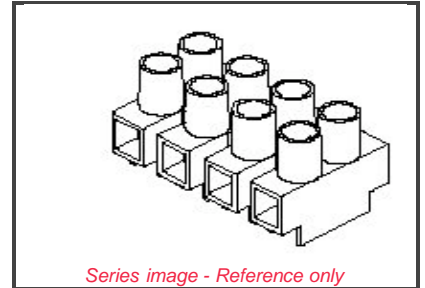
Note - Please disable browser pop-up blockers for documents on www.molex.com

[Drawing \(PDF\)](#)

[3D Model](#)

[Product Literature \(PDF\)](#)

[Related Catalog Page \(PDF\)](#)



Order Products:

[Check Distributor Inventory](#)

[Add to My Parts](#)

[Request Samples](#)

Part Detail: [\(show all\)](#)

[General](#) [Physical](#) [Electrical](#) [Material Info](#)

General

Product Family	Terminal Blocks
Series	39100
Application	Wire-to-Wire
Component Type	One Piece
Product Name	Eurostyle™ Two Screw
Type	Euro Block

Physical

Circuits (Loaded)	12
Entry Angle	Horizontal
Lock to Mating Part	None
Number of Rows	2
Orientation	Vertical
PCB Retention	Yes
Panel Mount	Mounting Holes Between Circuit
Pitch - Mating Interface (in)	0.472 In
Pitch - Mating Interface (mm)	12.00 mm
Pitch - Term. Interface (in)	0.315 In
Pitch - Term. Interface (mm)	8.00 mm
Polarized to Mating Part	No
Stackable	No
Temperature Range - Operating	100°C
Wire Size AWG	10
Wire Size AWG	12
Wire Size AWG	14
Wire Size AWG	16
Wire Size AWG	18
Wire Size AWG	20
Wire Size AWG	8

Electrical

Current - Maximum	40.000 Amp
Voltage - Maximum	600V

Material Info

EU RoHS

ELV and RoHS Compliant

China RoHS



Need more information on product compliance?

Email productcompliance@molex.com

Please visit the [Contact Us](#) section for any non-product compliance questions.

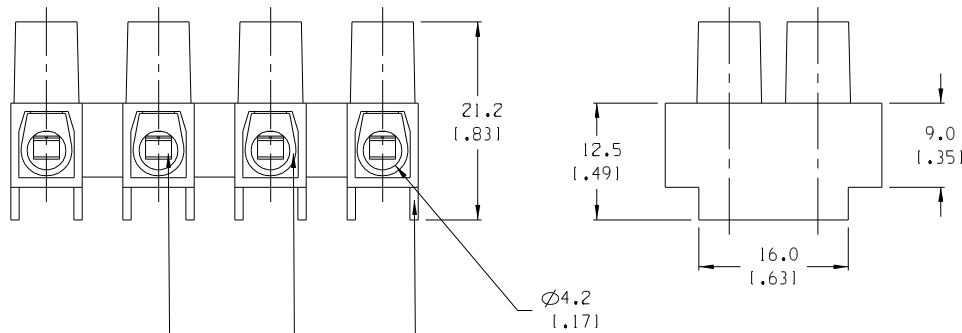
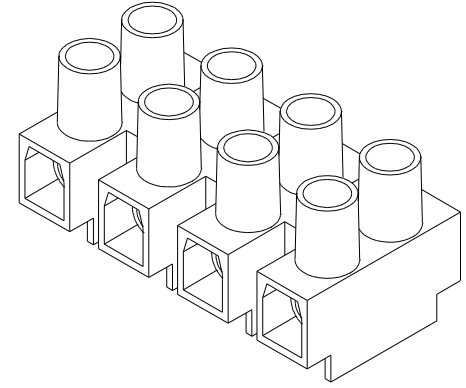
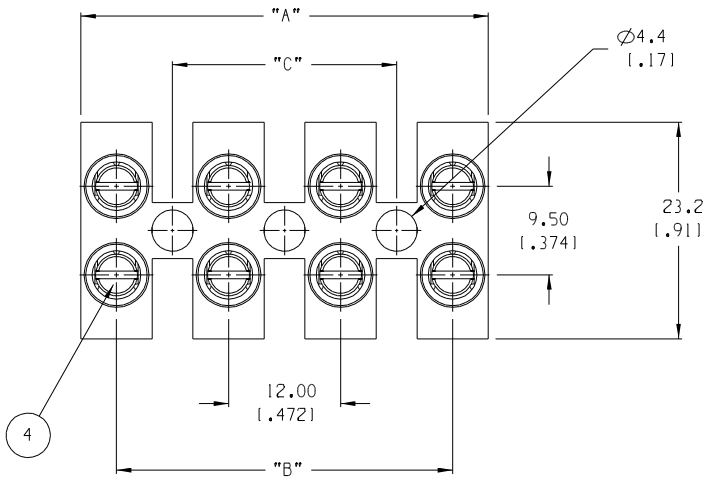
Search Parts in this Series

[39100 Series](#)

Reference - Drawing Numbers

Sales Drawing

SD-39100-006



NUMBER OF CIRCUITS	"A" DIM.	"B" DIM.	"C" DIM.	MATERIAL NUMBER
01	8.00 [1.315]	N/A	N/A	391001201
02	20.00 [1.787]	12.00 [1.472]	N/A	391001202
03	32.00 [1.260]	24.00 [1.944]	12.00 [1.472]	391001203
04	44.00 [1.732]	36.00 [1.416]	24.00 [1.945]	391001204
05	56.00 [2.205]	48.00 [1.888]	36.00 [1.417]	391001205
06	68.00 [2.677]	60.00 [2.359]	48.00 [1.890]	391001206
07	80.00 [3.150]	72.00 [2.831]	60.00 [2.362]	391001207
08	92.00 [3.622]	84.00 [3.303]	72.00 [2.835]	391001208
09	104.00 [4.094]	96.00 [3.775]	84.00 [3.307]	391001209
10	116.00 [4.567]	108.00 [4.247]	96.00 [3.780]	391001210
11	128.00 [5.039]	120.00 [4.719]	108.00 [4.252]	391001211
12	140.00 [5.512]	132.00 [5.191]	120.00 [4.724]	391001212

- NOTES:
1. MATERIAL: SEE TABLE
 2. FINISHES: SEE TABLE
 3. PRODUCT SPECIFICATION: NOT REQUIRED
 4. PACKAGING: NOT REQUIRED
 5. MATES WITH: NONE
 6. "XX" REFERS TO THE NUMBER OF CIRCUITS

ITEM	QTY.	DESCRIPTION	MATERIAL	FINISH
4	XX*2	CLAMPING SCREWS, M3.5	STEEL	ZINC
3	XX	WIRE PROTECTOR	BRASS	NICKEL
2	XX	TERMINAL	BRASS	NICKEL
1	1	INSULATOR	NYLON 6	CLEAR

EC NO. RELEASED DRWG: JF 09-16-04 CH'K: APPR: A	QUALITY SYMBOLS MAJOR CRITICAL SPC S	GENERAL TOLERANCES: (UNLESS SPECIFIED)		SCALE 2:1	DESIGN UNITS <input type="checkbox"/> mm <input checked="" type="checkbox"/> INCH	THIRD ANGLE PROJECTION	DIMENSIONS: <input checked="" type="checkbox"/> mm <input type="checkbox"/> INCH <input type="checkbox"/> mm ONLY		PROJECT NO. - - - SHT REV	
		4 PLACES mm ±.0015 INCH ±.0015 3 PLACES mm ±.038 INCH ±.005 2 PLACES mm ±.13 INCH ±.01 1 PLACE mm ±.3		DRAWN BY & DATE J.FARMER 09-16-04		TITLE: 12MM HIGH PROFILE WITH WIRE PROTECTORS				
		ANGULAR: ±2°		CHECKED BY & DATE		MOLEX INCORPORATED				
		DRAFT WHERE APPLICABLE MUST REMAIN WITHIN DIMENSIONS		APPROVED BY & DATE		CAD FILENAME 39100-12XX	MATERIAL NO. SEE CHART	DRAWING NO. SD-39100-006	SHEET NO. 1 OF 1	SIZE B

THIS DRAWING CONTAINS INFORMATION THAT IS PROPRIETARY TO MOLEX INCORPORATED AND SHOULD NOT BE USED WITHOUT WRITTEN PERMISSION.