

Switch Language

English

Need Assistance?

[Contact Us](#)
[Find a Distributor](#)
[Order Samples](#)
[Tech Library](#)

[Printer-friendly page](#)

[Email this page](#)

[Home](#) [Terminal Blocks](#) [Datasheet](#)

Part Number: 0391001012

Status: Active

Description: 10.00mm (.394") Pitch Beau™ Eurostyle™ Two-Screw Terminal Strips, 12 Circuits

Documents:

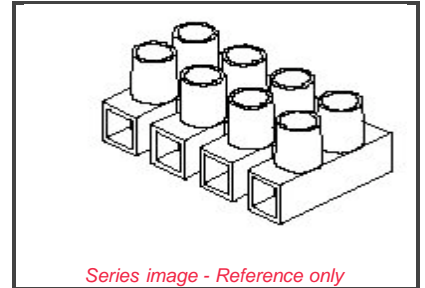
Note - Please disable browser pop-up blockers for documents on www.molex.com

[Drawing \(PDF\)](#)

[3D Model](#)

[Product Literature \(PDF\)](#)

[Related Catalog Page \(PDF\)](#)



Order Products:

[Check Distributor Inventory](#)

[Add to My Parts](#)

[Request Samples](#)

Part Detail: ([show all](#))

[General](#) [Physical](#) [Electrical](#) [Material Info](#)

General

Product Family	Terminal Blocks
Series	39100
Application	Wire-to-Wire
Component Type	One Piece
Product Name	Eurostyle™ Two Screw
Type	Euro Block

Physical

Circuits (Loaded)	12
Entry Angle	Horizontal
Lock to Mating Part	None
Number of Rows	2
Orientation	Vertical
PCB Retention	Yes
Panel Mount	Mounting Holes Between Circuit
Pitch - Mating Interface (in)	0.394 In
Pitch - Mating Interface (mm)	10.00 mm
Pitch - Term. Interface (in)	0.315 In
Pitch - Term. Interface (mm)	8.00 mm
Polarized to Mating Part	No
Stackable	No
Temperature Range - Operating	100°C
Wire Size AWG	10
Wire Size AWG	12
Wire Size AWG	14
Wire Size AWG	16
Wire Size AWG	18

Electrical

Current - Maximum	30.000 Amp
Voltage - Maximum	600V

Material Info

EU RoHS

ELV and RoHS Compliant

China RoHS



Need more information on product compliance?

Email productcompliance@molex.com

Please visit the [Contact Us](#) section for any non-product compliance questions.

Search Parts in this Series

[39100 Series](#)

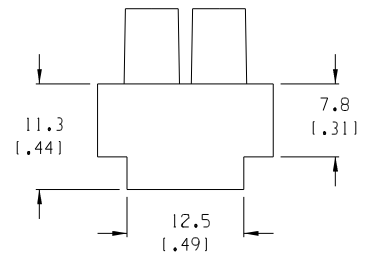
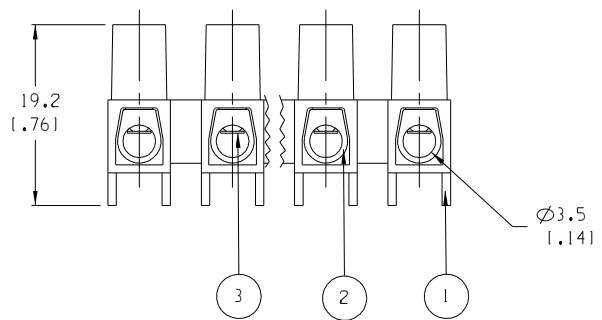
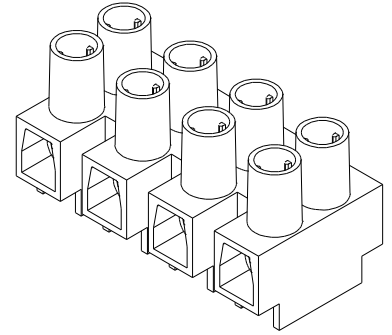
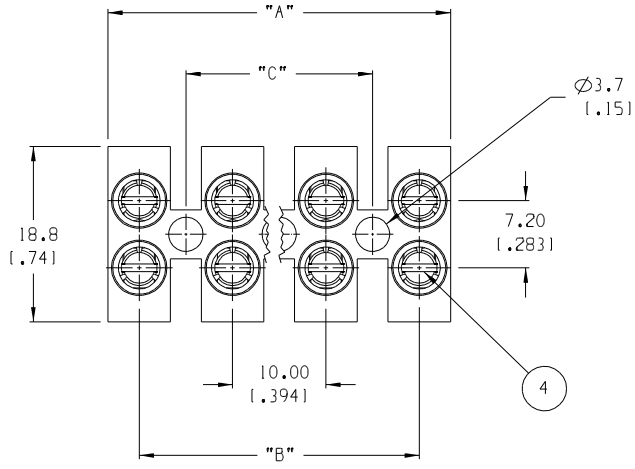
Reference - Drawing Numbers

Sales Drawing

SD-39100-004

[Feedback](#) [Privacy](#) [Legal](#) [Site Map](#) [Help](#)

Copyright 2005-2008



NUMBER OF CIRCUITS	"A" DIM.	"B" DIM.	"C" DIM.	MATERIAL NUMBER
01	7,00 [2.761]	N/A	N/A	391001001
02	17,00 [6.691]	10,00 [3.941]	N/A	391001002
03	27,00 [10.631]	20,00 [7.871]	10,00 [3.941]	391001003
04	37,00 [14.571]	30,00 [11.811]	20,00 [7.871]	391001004
05	47,00 [18.501]	40,00 [15.751]	30,00 [11.811]	391001005
06	57,00 [22.441]	50,00 [19.691]	40,00 [15.751]	391001006
07	67,00 [26.381]	60,00 [23.621]	50,00 [19.691]	391001007
08	77,00 [30.311]	70,00 [27.561]	60,00 [23.621]	391001008
09	87,00 [34.251]	80,00 [31.501]	70,00 [27.561]	391001009
10	97,00 [38.191]	90,00 [35.431]	80,00 [31.501]	391001010
11	107,00 [42.131]	100,00 [39.371]	90,00 [35.431]	391001011
12	117,00 [46.061]	110,00 [43.311]	100,00 [39.371]	391001012

- NOTES:
1. MATERIAL: SEE TABLE
 2. FINISHES: SEE TABLE
 3. PRODUCT SPECIFICATION: NOT REQUIRED
 4. PACKAGING: NOT REQUIRED
 5. MATES WITH: NONE
 6. "XX" REFERS TO THE NUMBER OF CIRCUITS

ITEM	QTY.	DESCRIPTION	MATERIAL	FINISH
4	XX*2	CLAMPING SCREWS, M3	STEEL	ZINC
3	XX	WIRE PROTECTOR	BRASS	NICKEL
2	XX	TERMINAL	BRASS	NICKEL
1	1	INSULATOR	NYLON 6	CLEAR

EC NO. RELEASED DRWN: JF 09-15-04 CHK: APPR:	QUALITY SYMBOLS MAJOR CRITICAL SPC	GENERAL TOLERANCES: (UNLESS SPECIFIED)		SCALE 2:1	DESIGN UNITS <input type="checkbox"/> mm <input checked="" type="checkbox"/> INCH	THIRD ANGLE PROJECTION	PROJECT NO.	SHT	REV	
		4 PLACES ±.0015 3 PLACES ±.038 ±.005 2 PLACES ±.13 ±.01 1 PLACE ±.3	DRAWN BY & DATE J.FARMER 09-15-04	TITLE: 10MM HIGH PROFILE WITH WIRE PROTECTOR			DIMENSIONS: <input checked="" type="checkbox"/> mm <input type="checkbox"/> INCH <input type="checkbox"/> mm ONLY	REVISE ON CAD ONLY		
A	REV	ANGULAR: ±2°		CHECKED BY & DATE	APPROVED BY & DATE			MATERIAL NO. DRAWING NO. SHEET NO. SEE CHART 39100-10XX SD-39100-004 1 OF 1		
DRAFT WHERE APPLICABLE MUST REMAIN WITHIN DIMENSIONS				CAD FILENAME 39100-10XX				THIS DRAWING CONTAINS INFORMATION THAT IS PROPRIETARY TO MOLEX INCORPORATED AND SHOULD NOT BE USED WITHOUT WRITTEN PERMISSION.		SIZE B