

- o Flat Cable Connectors SEK
- o *har-mik®*
- o D-Sub
- o InduCom

➔ Applications



Product details

09 21 015 3101

Female insert, Han 15 D

Series	Han D®, Han D® AV
Number of contacts	15 poles + PE
Size of hood/ housing	Han® 10 A
Termination	Crimp termination
Insert material	Standard material
Contacts	Order separately
Electrical data	10 A 250 V 4 kV 3
RoHS compliant	Yes

Available Downloads

Title	Format	
Data sheet	PDF	↕ download
CAD data 2D	DXF	↕ download
CAD data 3D	IGES	↕ download
CAD data 3D	STEP	↕ download

Inquiry

5

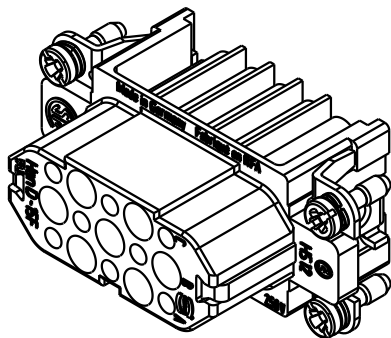
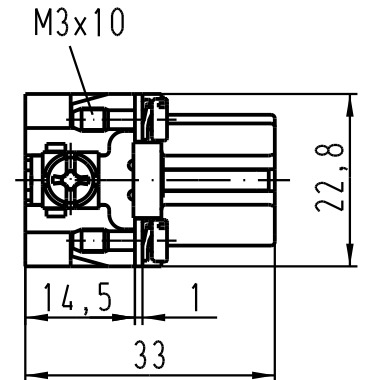
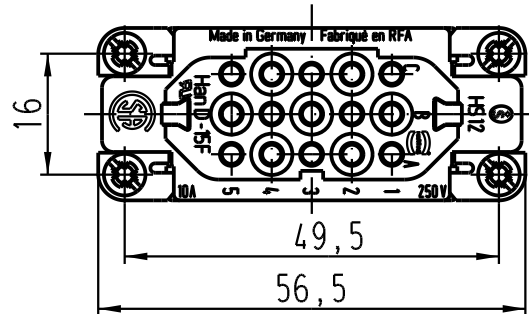
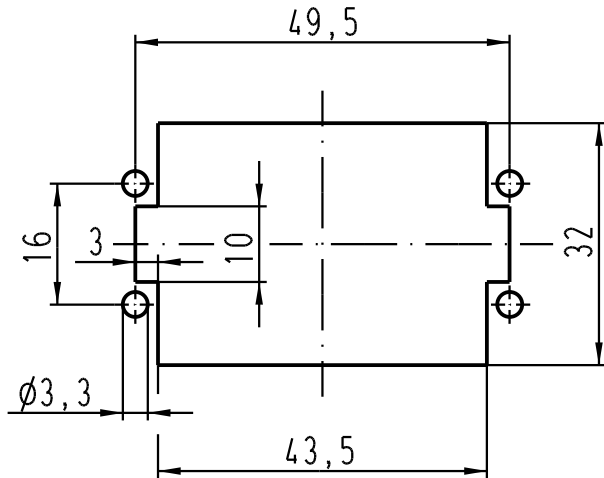
4

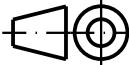

3

2

1

Montageausschnitt/
panel cut out



 All Dimensions in mm Original Size DIN A 4			Techn. Character.			Nicht tolerierte Masse / Free size tolerances			
Mod.	Dat.	Name	Detail.	Dat.	Name	Massstab / Scale	Han 15D-F-c Buchsenträger / female insert		
			Insp.		SDT.			1:1	
411417	18.01.05	Loe.	Stand.						
410526	18.07.03	Ho	HARTING Electric GmbH & Co. KG				TB 09 21 015 3101 Sub. TB 09 21 0.. 3101 Bl.1/2 v. 01.03.93		
25626			D-32339 Espelkamp						