

Switch Language

English

Need Assistance?

Contact Us
Find a Distributor
Order Samples
Tech Library

Printer-friendly page

Email this page

[Home](#) [Crimp Housings](#) [Datasheet](#)

Part Number: 0039012121

Status: Active **Overview:** [Mini-Fit Jr.™](#)

Description: 4.20mm (.165") Pitch Mini-Fit Jr.™ Plug Housing, Dual Row, with and without Panel Mount Ears, UL 94V-2, Panel Mount, 12 Circuits

Documents:

Note - Please disable browser pop-up blockers for documents on www.molex.com

- [Drawing \(PDF\)](#) [Product Specification PS-5557-003 \(PDF\)](#)
- [Product Specification PS-5557-012 \(PDF\)](#) [Product Specification PS-5557-013 \(PDF\)](#)
- [Product Specification PS-5557-016 \(PDF\)](#) [Product Specification PS-5557-042 \(PDF\)](#)
- [3D Model](#) [Related Catalog Page \(PDF\)](#)

Order Products:

[Check Distributor Inventory](#) [Add to My Parts](#)
[Request Samples](#)

Part Detail: [\(show all\)](#)

[General](#) [Physical](#) [Electrical](#) [Material Info](#)

General

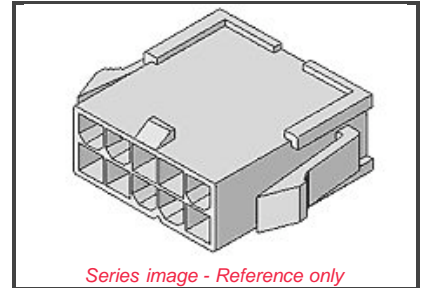
Product Family Crimp Housings
Series [5559](#)
Comments Glow Wire Equivalent Part Number [50361869BR](#)> Not for use with Strain Relief
Overview [Mini-Fit Jr.™](#)
Product Name Mini-Fit Jr.™

Physical

Breakaway No
Circuits (maximum) 12
Color - Resin Natural
Flammability 94V-2
Gender Male
Material - Resin Nylon
Number of Rows 2
Packaging Type Bag
Panel Mount Yes
Pitch - Mating Interface (in) 0.165 In
Pitch - Mating Interface (mm) 4.20 mm
Pitch - Term. Interface (in) 0.165 In
Pitch - Term. Interface (mm) 4.20 mm
Polarized to Mating Part Yes
Stackable No
Temperature Range - Operating -40°C to +105°C

Electrical

CSA LR19980
TUV R75142
UL E29179



EU RoHS **China RoHS**
ELV and RoHS Compliant



Need more information on product compliance?

Email productcompliance@molex.com

Please visit the [Contact Us](#) section for any non-product compliance questions.

Search Parts in this Series

[5559](#) Series

Mates With

[5557d](#) Receptacle Housing

Use With

[5558](#), [44478](#), [30490](#), [41995](#)

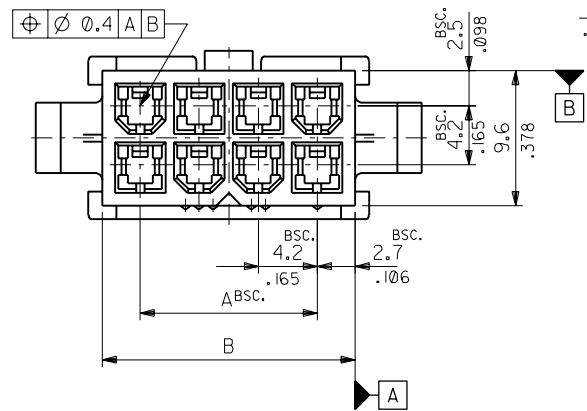
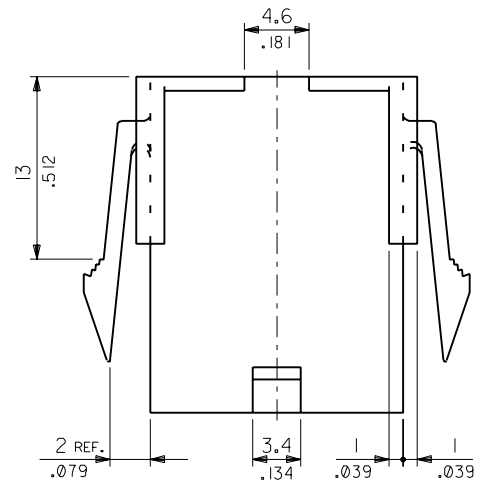
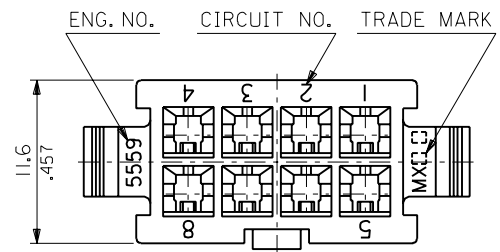
Material Info

Old Part Number 5559-12P

Reference - Drawing Numbers

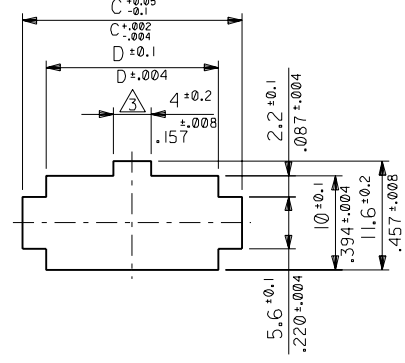
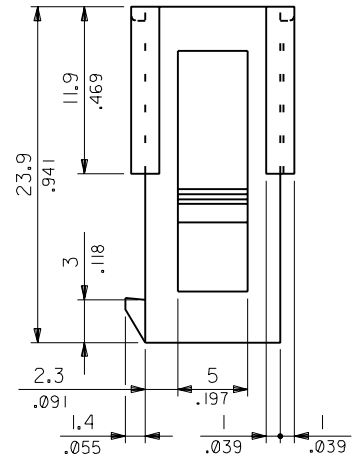
Product Specification	PS-5557-003
Product Specification	PS-5557-012
Product Specification	PS-5557-013
Product Specification	PS-5557-016
Product Specification	PS-5557-042
Sales Drawing	SD-5559-NP

ENG. NO. SD-5559-NP
 EDP NO. 39-01-2**1
 DIMENSIONS IN METRIC DO NOT SCALE DRAWING

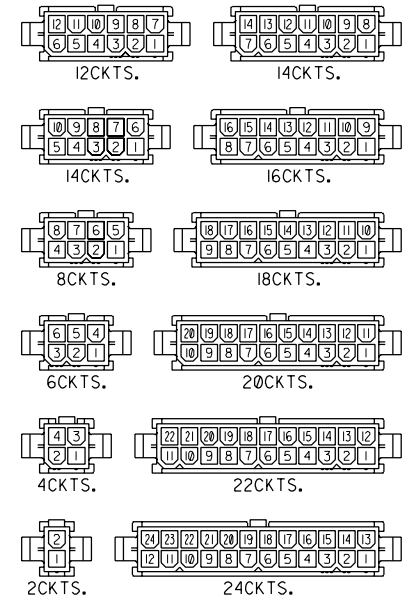


NOTES

1. TERMINAL : 5558 SERIES
2. MATES WITH : 5557-NR
- △ THIS DIMENSION IS ALLOWABLE UP TO "D" DIMENSION IN CASE OF 2 CIRCUITS.
4. PANEL HOLE TO BE PUNCHED OUT IN THE SAME DIRECTION AS INSERTION INTO THE PANEL.



RECOMMENDED PANEL HOLE DIMENSION
(THICKNESS : 0.8-2.0/.032-.079)



CIRCUIT SIZE LAYOUT (SCALE : 1-1)

52.1/2.051	57.0/2.244	51.6/2.031	46.2/1.819	39-01-2241	5559-24P	24
47.9/1.886	52.8/2.079	47.4/1.866	42.0/1.654	▲ -2221	▲ -22P	22
43.7/1.720	48.6/1.913	43.2/1.701	37.8/1.488	-2201	-20P	20
39.5/1.555	44.4/1.748	39.0/1.535	33.6/1.323	-2181	-18P	18
35.3/1.390	40.2/1.583	34.8/1.370	29.4/1.158	-2161	-16P	16
31.1/1.224	36.0/1.417	30.6/1.205	25.2/0.992	-2141	-14P	14
26.8/1.055	31.8/1.252	26.4/1.039	21.0/0.827	-2121	-12P	12
22.6/0.890	27.6/1.087	22.2/0.874	16.8/0.661	-2101	-10P	10
18.4/0.724	23.4/0.921	18.0/0.709	12.6/0.496	-2081	-08P	8
14.2/0.559	19.2/0.756	13.8/0.543	8.4/0.331	-2061	-06P	6
10.0/0.394	15.0/0.591	9.6/0.378	4.2/0.165	▼ -2041	▼ -04P	4
5.8/0.228	10.8/0.425	5.4/0.213	—	—	—	2
				39-01-2021	5559-02P	2
	D	C	B	A	EDP NO.	ENG. NO.
						CIRCUIT

角 度 ANGLE		±3°			材 料 MATERIAL	MOLEX-JAPAN CO.,LTD. 日本モレックス株式会社
30以上 OVER		±0.4			NYLON 66, UL94V-2	
10以上 30未滿 UNDER		±0.3			仕上げ FINISH	EDP. NO.
10未滿 UNDER		±0.2			—	39-01-2**1
一般公差 GENERAL TOLERANCES					適用電線範囲 WIRE RANGE	ENG. NO.
					—	SD-5559-NP
					被覆外径 INS. RANGE	REV
					—	G
記号 LTR		変更内容 REVISION RECORD	H.H. Y.y	88/10/11	DRAWN BY 88/10/14 H.HIRAMOTO	TITLE 名称 NEW MINI.FIT CONNECTOR CRIMP PIN HOUSING
			DR. CHK.	日付 DATE	CHK'D BY 88/10/21 Y.YAMADA	
					APP'D BY 88/10/24 M.ENOMOTO	

THIS DRAWING CONTAINS INFORMATION THAT IS PROPRIETARY TO MOLEX(JAPAN) AND SHOULD NOT BE USED WITHOUT WRITTEN PERMISSION
 本図面は日本モレックス(株)の所有する情報を含むもので 当社の許可なく複製を禁止する。 MXJ-8