

Switch Language

English

Need Assistance?

- Contact Us
- Find a Distributor
- Order Samples
- Tech Library

[Printer-friendly page](#)

[Email this page](#)

[Home](#) [Crimp Housings](#) [Datasheet](#)

Part Number: 0039012086

Status: Active **Overview: [Mini-Fit Jr.™](#)**

Description: 4.20mm (.165") Pitch Mini-Fit Jr.™ Plug Housing, Dual Row, with and without Panel Mount Ears, UL 94V-0, Panel Mount, 8 Circuits

Documents:

Note - Please disable browser pop-up blockers for documents on www.molex.com

- [Drawing \(PDF\)](#)
- [Product Specification PS-5557-003 \(PDF\)](#)
- [Product Specification PS-5557-012 \(PDF\)](#)
- [Product Specification PS-5557-013 \(PDF\)](#)
- [Product Specification PS-5557-016 \(PDF\)](#)
- [Product Specification PS-5557-042 \(PDF\)](#)
- [3D Model](#)
- [Related Catalog Page \(PDF\)](#)

Order Products:

- [Check Distributor Inventory](#)
- [Request Samples](#)
- [Add to My Parts](#)

Part Detail: ([show all](#))

[General](#) [Physical](#) [Electrical](#) [Material Info](#)

General

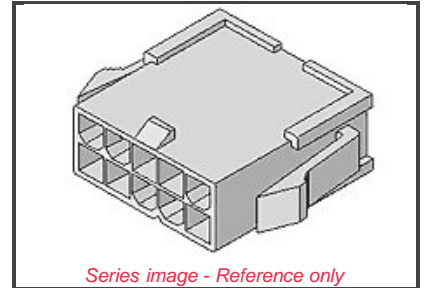
Product Family	Crimp Housings
Series	5559
Comments	Glow Wire Equivalent Part Number 50361716 Not for use with Strain Relief
Overview	Mini-Fit Jr.™
Product Name	Mini-Fit Jr.™

Physical

Breakaway	No
Circuits (maximum)	8
Color - Resin	Ivory
Flammability	94V-0
Flammability	94V-2
Gender	Male
Material - Resin	Nylon
Number of Rows	2
Packaging Type	Bag
Panel Mount	Yes
Pitch - Mating Interface (in)	0.165 In
Pitch - Mating Interface (mm)	4.20 mm
Pitch - Term. Interface (in)	0.165 In
Pitch - Term. Interface (mm)	4.20 mm
Polarized to Mating Part	Yes
Stackable	No
Temperature Range - Operating	-40°C to +105°C

Electrical

CSA	LR19980
TUV	R75142
UL	E29179



EU RoHS
ELV and RoHS Compliant



Need more information on product compliance?

Email productcompliance@molex.com

Please visit the [Contact Us](#) section for any non-product compliance questions.

Search Parts in this Series

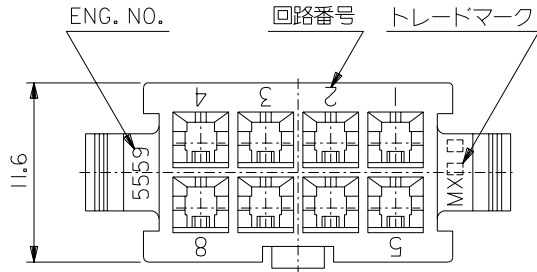
[5559](#) Series

Mates With

[5557d](#) Receptacle Housing

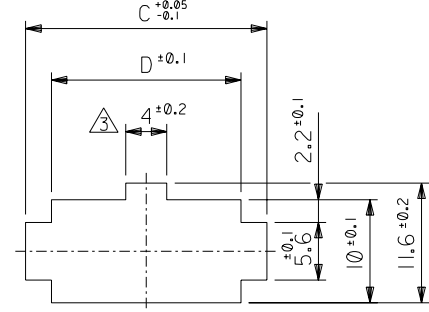
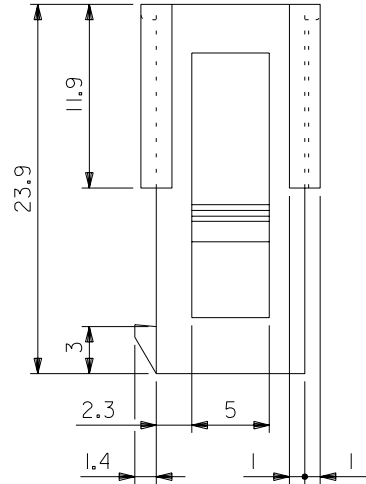
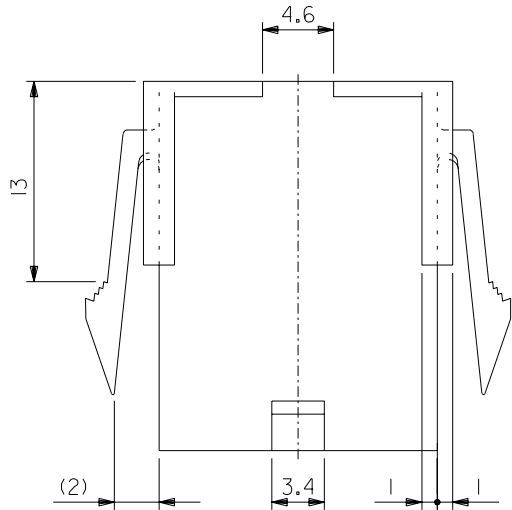
Use With

[5558](#), [44478](#), [30490](#), [41995](#)

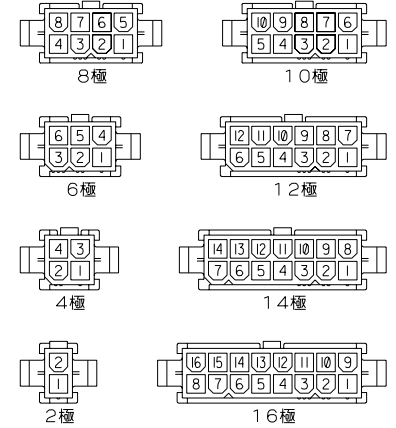


注記

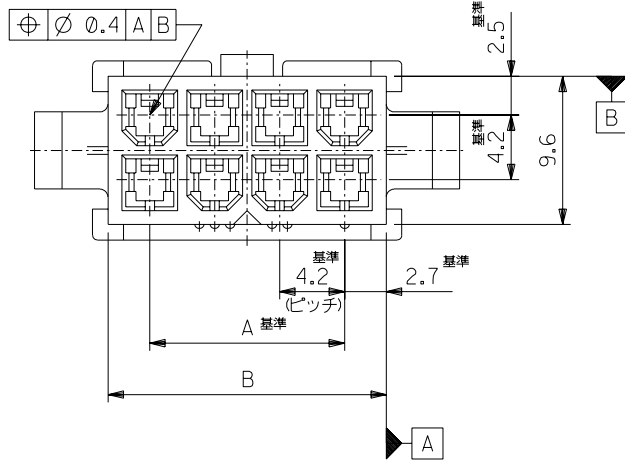
1. 適用ターミナル : 5558 シリーズ
2. 嵌合相手 : 5557-NR-210
3. 2極に限り4mm 寸法はD寸法にても可とする。
4. パネルスロットの打抜き方向はハウジングの挿入方向と同一のこと。



パネルスロット寸法 (パネル厚 0.8 - 2.0)



極数別レイアウト図 (SCALE : 1-1)



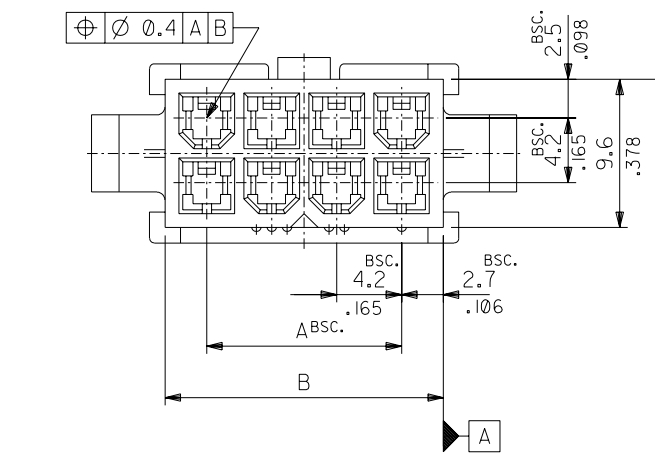
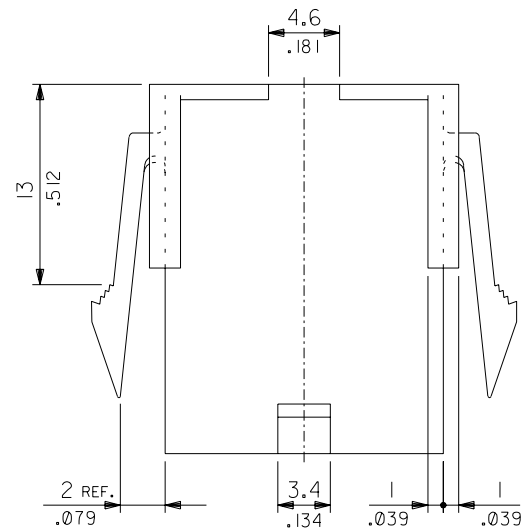
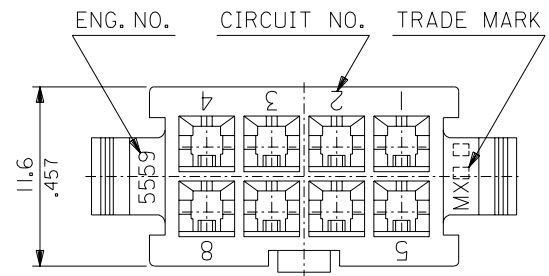
35.3	40.2	34.8	29.4	39-01-2166	5559-16P-210	16
31.1	36	30.6	25.2	▲ -2146	▲ -14P-210	14
26.8	31.8	26.4	21	-2126	-12P-210	12
22.6	27.6	22.2	16.8	-2106	-10P-210	10
18.4	23.4	18	12.6	-2086	-08P-210	8
14.2	19.2	13.8	8.4	-2066	-06P-210	6
10	15	9.6	4.2	▼ -2046	▼ -04P-210	4
5.8	10.8	5.4	—	39-01-2026	5559-02P-210	2
D	C	B	A	EDP NO.	ENG. NO.	極数

角度 ANGLE	±3°				材料 MATERIAL ナイロン66, UL94V-0 色: オフホワイト
30以上 OVER	+0.4 ±0.3				仕上げ FINISH —
10以上 OVER 30未下 UNDER	+0.3 ±0.25				適用電線範囲 WIRE RANGE —
未下 UNDER	+0.2				被覆外径 INS. RANGE —
一般公差 GENERAL TOLERANCES		D 変更 (J20850)	H.H. M.F. '92/9/19		DRAWN BY '88/10/14 H.HIRAMOTO
記号 LTR	変更内容 REVISION RECORD	C 再作図 (J80832)	H.H. Y.Y. '88/10/17		CHK'D BY '92/09/19 M.HIRAMOTO
			DR. DATE		尺度 SCALE 3 - 1

MOLEX-JAPAN CO.,LTD. 日本モレックス株式会社	
REVISE ONLY ON CAD SYSTEM	
TITLE 名称 NEW MINI.FIT CONNECTOR CRIMP PIN HOUSING	
DWG. NO.	REV
SD-5559-NP-210	D

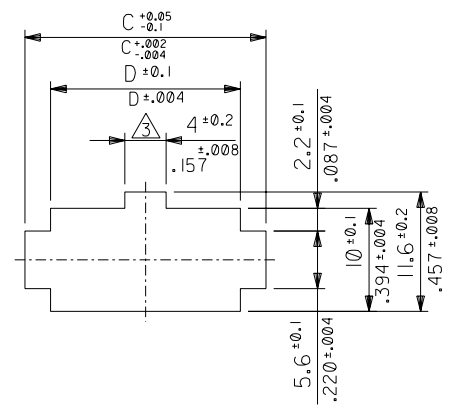
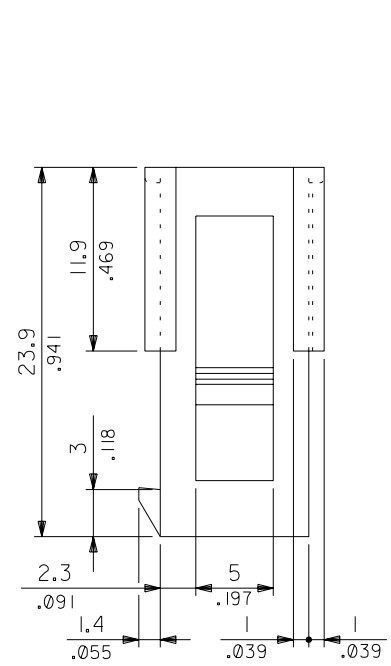
:MM DIMENSIONS IN METRIC DO NOT SCALE DRAWING

ENG. NO. SD-5559-NP-210
EDP NO. 39-01-2**6

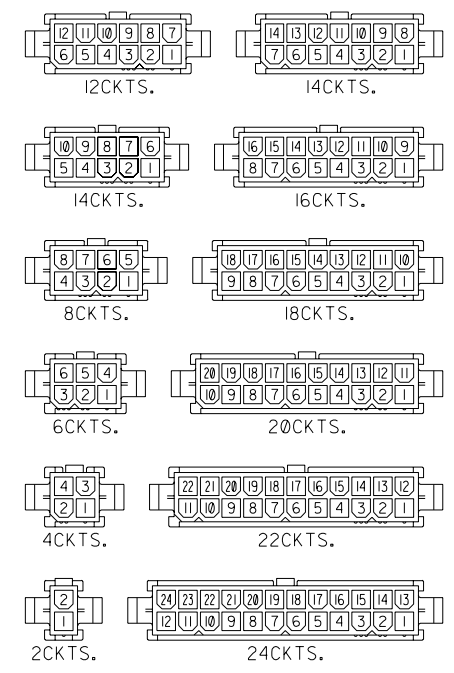


NOTES

1. TERMINAL : 5558 SERIES
2. MATES WITH : 5557-NR-210
3. THIS DIMENSION IS ALLOWABLE UP TO "D" DIMENSION IN CASE OF 2 CIRCUITS.
4. PANEL HOLE TO BE PUNCHED OUT IN THE SAME DIRECTION AS INSERTION INTO THE PANEL.



RECOMMENDED PANEL HOLE DIMENSION
(THICKNESS : 0.8-2.0/.032-.079)



CIRCUIT SIZE LAYOUT (SCALE : 1-1)

52.1/2.051	57.0/2.244	51.6/2.031	46.2/1.819	39-01-2246	5559-24P-210	24
47.9/1.886	52.8/2.079	47.4/1.866	42.0/1.654	-2226	-22P-210	22
43.7/1.720	48.6/1.913	43.2/1.701	37.8/1.488	-2206	-20P-210	20
39.5/1.555	44.4/1.748	39.0/1.535	33.6/1.323	-2186	-18P-210	18
35.3/1.390	40.2/1.583	34.8/1.370	29.4/1.158	-2166	-16P-210	16
31.1/1.224	36.0/1.417	30.6/1.205	25.2/.992	-2146	-14P-210	14
26.8/1.055	31.8/1.252	26.4/1.039	21.0/.827	-2126	-12P-210	12
22.6/.890	27.6/1.087	22.2/.874	16.8/.661	-2106	-10P-210	10
18.4/.724	23.4/.921	18.0/.709	12.6/.496	-2086	-08P-210	8
14.2/.559	19.2/.756	13.8/.543	8.4/.331	-2066	-06P-210	6
10.0/.394	15.0/.591	9.6/.378	4.2/.165	-2046	-04P-210	4
5.8/.228	10.8/.425	5.4/.213	—	39-01-2026	5559-02P-210	2
D	C	B	A	EDP NO.	ENG. NO.	CIRCUIT

材料 MATERIAL		NYLON 66, UL94V-0		molex MOLEX-JAPAN CO.,LTD. 日本モレックス株式会社	
仕上げ FINISH		—		EDP. NO. 39-01-2**6	
適用電線範囲 WIRE RANGE		—		ENG. NO. SD-5559-NP-210	
被覆外径 INS. RANGE		—		REV C	
角度 ANGLE	±3°	記号	REVISD & REDRAWN (J80832)	H.H.	88/10/17
30以上 OVER	±0.4	TR	変更内容 REVISION RECORD	H.H.	DR. 日付 DATE
10以上 OVER 30未滿 UNDER	±0.3	C	REVISION RECORD	H.H.	DR. 日付 DATE
10未滿 UNDER	±0.2	記号	REVISION RECORD	H.H.	DR. 日付 DATE
一般公差 GENERAL TOLERANCES	REVISION RECORD	REVISION RECORD	REVISION RECORD	REVISION RECORD	REVISION RECORD

DRAWN BY 88/10/14 H.HIRAMOTO
CHK'D BY 88/10/21 M. YAMASHITA
APP'D BY 88/10/24 H.HIRAMOTO
SCALE 3-1

TITLE 名称 NEW MINI.FIT CONNECTOR CRIMP PIN HOUSING