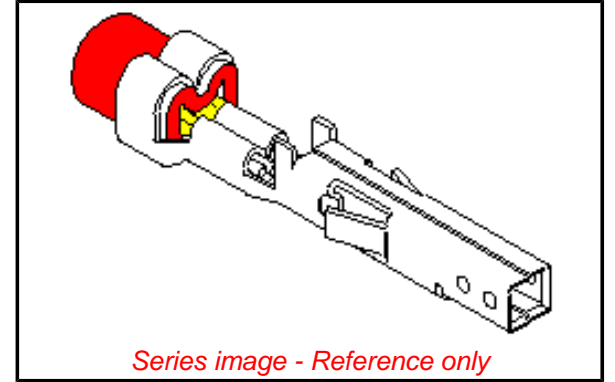


Part Number: [0039000166](#)
Status: **Active**
Description: 4.20mm (.165") Pitch Mini-Fit™ Crimp Terminal, Female, Brass, Gold (Au), 22-28 AWG, Bag



Series image - Reference only

General

Product Family	Crimp Terminals
Series	5556
Product Name	Mini-Fit®

Physical

Durability (mating cycles) min	100 cycles
Gender	Female
Material - Metal	Brass
Material - Plating Mating	Gold
Material - Plating Termination	Nickel
Packaging Type	Bag
Plating min: Mating (µin)	30
Plating min: Mating (µm)	0.76
Plating min: Termination (µin)	30
Plating min: Termination (µm)	0.76
Termination Interface: Style	Crimp or Compression
Wire Insulation Diameter	0.90-1.80mm (.035-.071")
Wire Size AWG	22
Wire Size AWG	24
Wire Size AWG	26
Wire Size AWG	28
Wire Size mm²	N/A

Electrical

Voltage - Maximum	600V
-------------------	------

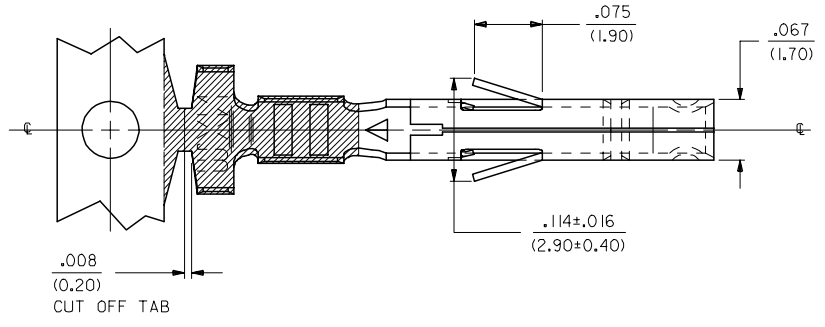
Material Info

Old Part Number	5556-GS2PL
-----------------	------------

EU RoHS
ELV and RoHS
Compliant

China RoHS

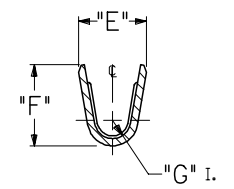
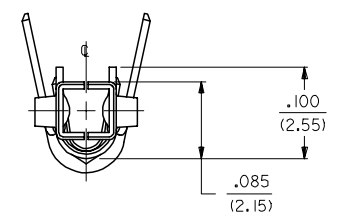
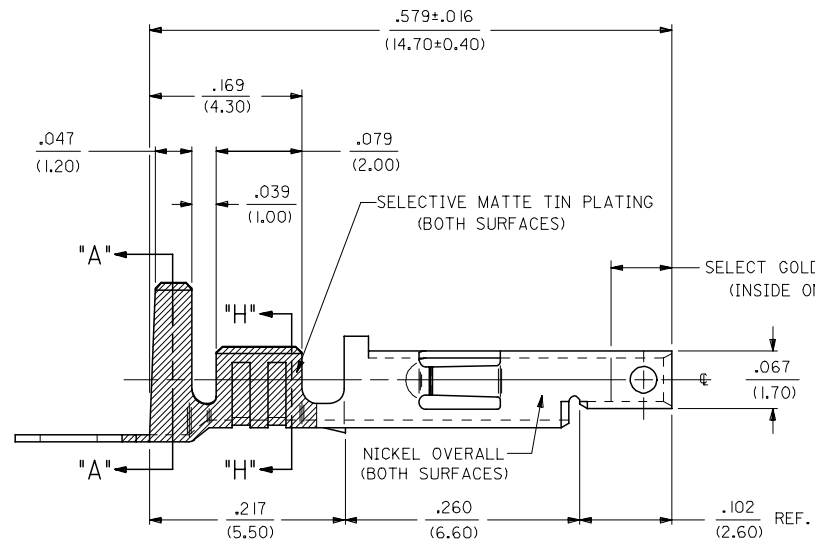




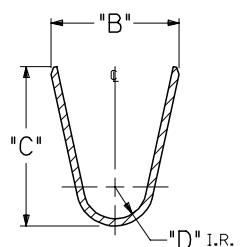
- NOTES:**
1. PART DESIGNED IN METRIC.
 2. TERMINAL FOR USE WITH 5557 SERIES HOUSINGS.
 3. MATES WITH 5558, 5566 AND 5569 SERIES CONNECTORS.
 4. REFER TO DWG. NO. CS-5556*/5558* FOR CRIMP SPECIFICATIONS.
 5. PRODUCT SPECIFICATION AND PROCESSING PARAMETERS SEE: PS-5556-001, PS-5556-002, PS-5556-003

- MATERIAL:**
- A. CDA 260 BRASS, .0080±.0004/(0.203±0.010) THICK.
 - B. CDA 510 PHOS. BRONZE .0080±.0004/(0.203±0.010) THICK.

- PLATING:**
- *A. SELECTIVE GOLD PLATE .000030/(0.00076) MIN., AND SELECTIVE MATTE TIN .000100/(0.00254) OVER .000050/(0.00127) NICKEL OVERALL.
 - *B. SELECTIVE GOLD PLATE .000015/(0.00038) MIN., AND SELECTIVE MATTE TIN .000100/(0.00254) OVER .000050/(0.00127) NICKEL OVERALL.
 - *C. SELECTIVE GOLD PLATE .000050/(0.00127) MIN., AND SELECTIVE MATTE TIN .000100/(0.00254) OVER .000050/(0.00127) NICKEL OVERALL.
 - *THE PRIMARY SHIPPING CARTON WILL BE LABELED "COMPLIANT TO RoHS DIRECTIVE 2002/95/EC AND ELV ANNEX II OF DIRECTIVE 2000/53/EC." CARTONS WITHOUT THIS LABEL MAY CONTAIN PRODUCT WITH TIN-LEAD PLATING.



SECT. "H-H"



SECT. "A-A"

REMOVE 28-30 GAGE EC NO: UCP2006-1559 DRAWNDUNNE 2006/01/11 CHKD: GPOLGAR 2006/01/12 APPR: ICOMERCI 2006/01/16	QUALITY SYMBOLS =0 =0 R.	GENERAL TOLERANCES (UNLESS SPECIFIED)		DIMENSION STYLE IN/MM		SCALE 10:1	DESIGN UNITS METRIC	THIRD ANGLE PROJECTION			
		4 PLACES ± --- ± ---	4 PLACES ± --- ± ---	DRAWN BY GEP	DATE 5/17/90	TITLE TERMINAL, MINI-FIT JR., FEMAE CRIMP, SELECT GOLD BLANK PLATE FORM					
		3 PLACES ± --- ± .010	3 PLACES ± --- ± .010	CHECKED BY RJF	DATE 5/17/90	MATERIAL NO.					
		2 PLACES ± 0.25 ± .014	2 PLACES ± 0.25 ± .014	APPROVED BY RAS	DATE 5/17/90	DOCUMENT NO.					
1 PLACE ± 0.36 ± ---	1 PLACE ± 0.36 ± ---	ANGULAR ±1/2°		SEE SHT. 2		SD-5556-GSP*		SHEET NO. 1 OF 2			
DRAFT WHERE APPLICABLE MUST REMAIN WITHIN DIMENSIONS				THIS DRAWING CONTAINS INFORMATION THAT IS PROPRIETARY TO MOLEX INCORPORATED AND SHOULD NOT BE USED WITHOUT WRITTEN PERMISSION							

2	F1
1	F1
SHT.	REV.

	13	12	11	10	9	8	7	6	5	5556	4	3	2	1		
	PART NO.	ENG. NO.	MAT'L.	PLATE	WIRE GAGE	QUANTITY PER REEL	DIM. "B"	DIM. "C"	DIM. "D"	DIM. "E"	DIM. "F"	DIM. "G"				
J	39-00-0163	5556-GSP	A	A	18-24 GA.	4,000	.142±.012	.177±.016	.035	.075±.012	.091±.016	.020	LEGEND: 5556-***GS*P* BASE NO. _____ MATERIAL _____ BLANK= BRASS PB= PHOS. BRONZE GOLD, SELECT _____ PLATING & CRIMP SIZE COMB. _____ BLANK THRU I5 BLANK-PLATE-FORM VERSION _____ CHAIN OR LOOSE _____ BLANK= CHAIN L= LOOSE			
	39-00-0164	5556-GSPL					(3.60±0.30)	(4.50±0.40)	(0.90)	(1.90±0.30)	(2.40±0.40)	(0.50)				
	39-00-0165	5556-GS2P					.091±.016	.091±.016	.024	.071±.012	.065±.016	.016				
I	39-00-0166	5556-GS2PL			16 GA.	4,000	22-28 GA.	6,000	(2.30±0.30)	(2.30±0.40)	(0.60)	(1.80±0.30)			(1.65±0.40)	(0.40)
	39-00-0167	5556-GS3P							.142±.012	.177±.016	.035	.091±.012			.106±.016	.024
	39-00-0168	5556-GS3PL							(3.60±0.30)	(4.50±0.40)	(0.90)	(2.30±0.30)			(2.70±0.40)	(0.60)
H	NOT TOOLED	5556-GS10P			14 GA.	4,000	18-24 GA.	4,000	.142±.012	.177±.016	.035	.091±.012			.114±.016	.024
	NOT TOOLED	5556-GS10PL							(3.60±0.30)	(4.50±0.40)	(0.90)	(2.30±0.30)			(2.90±0.40)	(0.60)
	39-00-0169	5556-GS4P							.142±.012	.177±.016	.035	.075±.012			.091±.016	.020
G	39-00-0170	5556-GS4PL			16 GA.	4,000	22-28 GA.	6,000	(3.60±0.30)	(4.50±0.40)	(0.90)	(1.90±0.30)			(2.40±0.40)	(0.50)
	39-00-0171	5556-GS5P							.091±.012	.091±.016	.024	.071±.012			.065±.016	.016
	39-00-0172	5556-GS5PL							(2.30±0.30)	(2.30±0.40)	(0.60)	(1.80±0.30)			(1.65±0.40)	(0.40)
F	39-00-0173	5556-GS6P	16 GA.	4,000	18-24 GA.	4,000	.142±.012	.177±.016	.035	.091±.012	.106±.016	.024				
	39-00-0174	5556-GS6PL					(3.60±0.30)	(4.50±0.40)	(0.90)	(2.30±0.30)	(2.70±0.40)	(0.60)				
	NOT TOOLED	5556-GS11P					.142±.012	.177±.016	.035	.091±.012	.114±.016	.024				
E	NOT TOOLED	5556-GS11PL	14 GA.	4,000	22-28 GA.	6,000	(3.60±0.30)	(4.50±0.40)	(0.90)	(2.30±0.30)	(2.90±0.40)	(0.60)				
	39-00-0175	5556-GS7P					.142±.012	.177±.016	.035	.075±.012	.091±.016	.020				
	39-00-0176	5556-GS7PL					(3.60±0.30)	(4.50±0.40)	(0.90)	(1.90±0.30)	(2.40±0.40)	(0.50)				
D	39-00-0177	5556-GS8P	16 GA.	4,000	18-24 GA.	4,000	.091±.012	.091±.016	.024	.071±.012	.065±.016	.016				
	39-00-0178	5556-GS8PL					(2.30±0.30)	(2.30±0.40)	(0.60)	(1.80±0.30)	(1.65±0.40)	(0.40)				
	39-00-0179	5556-GS9P					.142±.012	.177±.016	.035	.091±.012	.106±.016	.024				
C	39-00-0180	5556-GS9PL	14 GA.	4,000	22-28 GA.	6,000	(3.60±0.30)	(4.50±0.40)	(0.90)	(2.30±0.30)	(2.70±0.40)	(0.60)				
	NOT TOOLED	5556-GS12P					.142±.012	.177±.016	.035	.091±.012	.114±.016	.024				
	NOT TOOLED	5556-GS12PL					(3.60±0.30)	(4.50±0.40)	(0.90)	(2.30±0.30)	(2.90±0.40)	(0.60)				
B	39-00-0181	5556-PBGS	16 GA.	4,000	18-24 GA.	4,000	.142±.012	.177±.016	.035	.075±.012	.091±.016	.020				
	39-00-0182	5556-PBGSPL					(3.60±0.30)	(4.50±0.40)	(0.90)	(1.90±0.30)	(2.40±0.40)	(0.50)				
	39-00-0183	5556-PBGS2P					.091±.012	.091±.016	.024	.071±.012	.065±.016	.016				
A	39-00-0184	5556-PBGS2PL	14 GA.	4,000	22-28 GA.	6,000	(2.30±0.30)	(2.30±0.40)	(0.60)	(1.80±0.30)	(1.65±0.40)	(0.40)				
	39-00-0185	5556-PBGS3P					.142±.012	.177±.016	.035	.091±.012	.106±.016	.024				
	39-00-0186	5556-PBGS3PL					(3.60±0.30)	(4.50±0.40)	(0.90)	(2.30±0.30)	(2.70±0.40)	(0.60)				
A	NOT TOOLED	5556-PBGS10P	16 GA.	4,000	18-24 GA.	4,000	.142±.012	.177±.016	.035	.091±.012	.114±.016	.024				
	NOT TOOLED	5556-PBGS10PL					(3.60±0.30)	(4.50±0.40)	(0.90)	(2.30±0.30)	(2.90±0.40)	(0.60)				
	39-00-0194	5556-PBGS4P					.142±.012	.177±.016	.035	.075±.012	.091±.016	.020				
A	39-00-0195	5556-PBGS4PL	16 GA.	4,000	22-28 GA.	6,000	(3.60±0.30)	(4.50±0.40)	(0.90)	(1.90±0.30)	(2.40±0.40)	(0.50)				
	39-00-0196	5556-PBGS5P					.091±.012	.091±.016	.024	.071±.012	.065±.016	.016				
	39-00-0197	5556-PBGS5PL					(2.30±0.30)	(2.30±0.40)	(0.60)	(1.80±0.30)	(1.65±0.40)	(0.40)				
A	39-00-0198	5556-PBGS6P	14 GA.	4,000	18-24 GA.	4,000	.142±.012	.177±.016	.035	.091±.012	.106±.016	.024				
	39-00-0199	5556-PBGS6PL					(3.60±0.30)	(4.50±0.40)	(0.90)	(2.30±0.30)	(2.70±0.40)	(0.60)				
	NOT TOOLED	5556-PBGS11P					.142±.012	.177±.016	.035	.091±.012	.114±.016	.024				
A	NOT TOOLED	5556-PBGS11	16 GA.	4,000	22-28 GA.	6,000	(3.60±0.30)	(4.50±0.40)	(0.90)	(2.30±0.30)	(2.90±0.40)	(0.60)				
	39-00-0200	5556-PBGS7P					.142±.012	.177±.016	.035	.075±.012	.091±.016	.020				
	39-00-0201	5556-PBGS7PL					(3.60±0.30)	(4.50±0.40)	(0.90)	(1.90±0.30)	(2.40±0.40)	(0.50)				
A	39-00-0202	5556-PBGS8P	16 GA.	4,000	18-24 GA.	4,000	.091±.012	.091±.016	.024	.071±.012	.065±.016	.016				
	39-00-0203	5556-PBGS8PL					(2.30±0.30)	(2.30±0.40)	(0.60)	(1.80±0.30)	(1.65±0.40)	(0.40)				
	39-00-0204	5556-PBGS9P					.142±.012	.177±.016	.035	.091±.012	.106±.016	.024				
A	39-00-0205	5556-PBGS9PL	14 GA.	4,000	22-28 GA.	6,000	(3.60±0.30)	(4.50±0.40)	(0.90)	(2.30±0.30)	(2.70±0.40)	(0.60)				
	NOT TOOLED	5556-PBGS12P					.142±.012	.177±.016	.035	.091±.012	.114±.016	.024				
	NOT TOOLED	5556-PBGS12PL					(3.60±0.30)	(4.50±0.40)	(0.90)	(2.30±0.30)	(2.90±0.40)	(0.60)				

LEGEND:
 5556-***GS*P*
 BASE NO. _____
 MATERIAL _____
 BLANK= BRASS
 PB= PHOS. BRONZE
 GOLD, SELECT _____
 PLATING & CRIMP SIZE COMB. _____
 BLANK THRU I5
 BLANK-PLATE-FORM VERSION _____
 CHAIN OR LOOSE _____
 BLANK= CHAIN
 L= LOOSE

SEE SHEET 1 EC NO: UCP2006-1559 DRAWNDUNNE 2006/01/12 CHKD: GPOL GAR 2006/01/12 APPR: ICOMERC 2006/01/16 DESCRIPTION	QUALITY SYMBOLS	GENERAL TOLERANCES (UNLESS SPECIFIED)	DIMENSION STYLE	SCALE	DESIGN UNITS	THIRD ANGLE PROJECTION
	$\nabla=0$ $\nabla=0$	mm INCH	IN/MM	---	METRIC	
		4 PLACES ± --- ± ---	DRAWN BY DATE	TITLE		
		3 PLACES ± --- ± ---	CHECKED BY DATE	TERMINAL, MINI-FIT JR., FEMALE, CRIMP, SELECT GOLD BLANK-PLATE-FORM		
	2 PLACES ± --- ± ---	APPROVED BY DATE	MOLEX MOLEX INCORPORATED			
	1 PLACE ± --- ± ---	MATERIAL NO.	DOCUMENT NO.			
	ANGULAR ±1/2°	SEE CHART	SD-5556-GSP*			
	DRAFT WHERE APPLICABLE MUST REMAIN WITHIN DIMENSIONS	THIS DRAWING CONTAINS INFORMATION THAT IS PROPRIETARY TO MOLEX INCORPORATED AND SHOULD NOT BE USED WITHOUT WRITTEN PERMISSION		SHEET NO. 2 2		