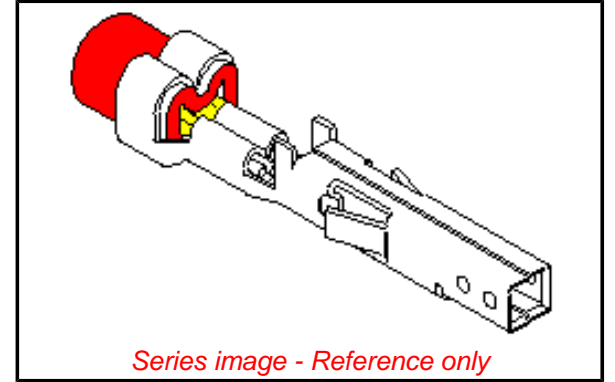


Part Number: [0039000078](#)
Status: **Active**
Description: 4.20mm (.165") Pitch Mini-Fit™ Crimp Terminal, Female, with Tin (Sn) over Copper (Cu) Plated Brass, 16 AWG, Bag



Series image - Reference only

General

Product Family	Crimp Terminals
Series	5556
Product Name	Mini-Fit®

Physical

Durability (mating cycles) min	75 cycles
Gender	Receptacle
Material - Metal	Brass
Material - Plating Mating	Tin
Material - Plating Termination	Tin
Packaging Type	Bag
Plating min: Mating (µin)	35
Plating min: Mating (µm)	0.88
Plating min: Termination (µin)	35
Plating min: Termination (µm)	0.88
Termination Interface: Style	Crimp or Compression
Wire Insulation Diameter	1.80-3.10mm (.071-.122")
Wire Size AWG	16
Wire Size mm²	N/A

Electrical

Voltage - Maximum	600V
-------------------	------

Material Info

Old Part Number	5556T3L
-----------------	---------

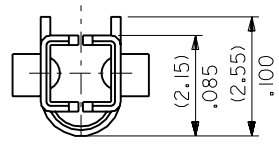
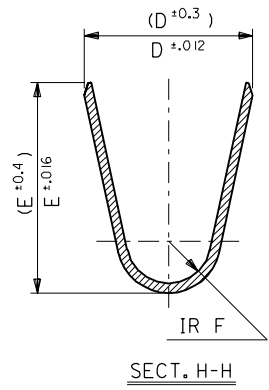
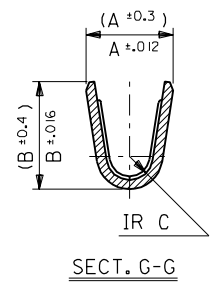
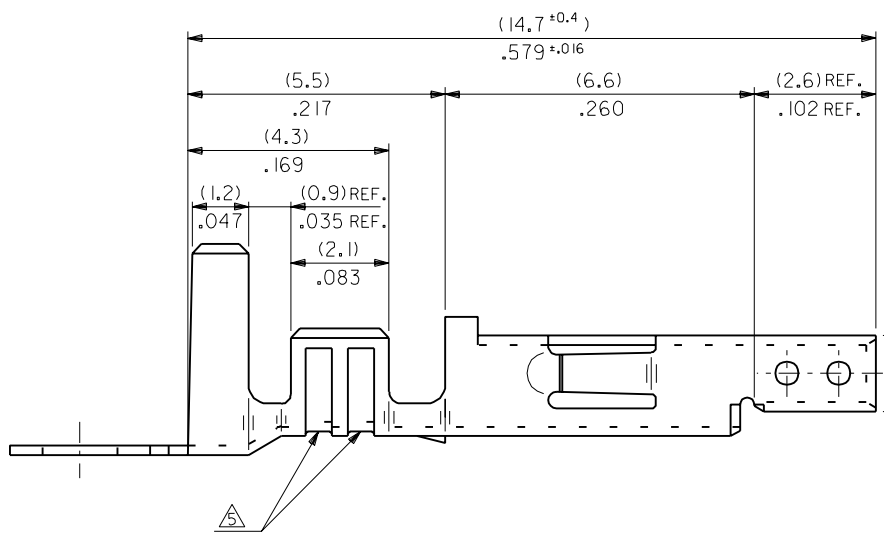
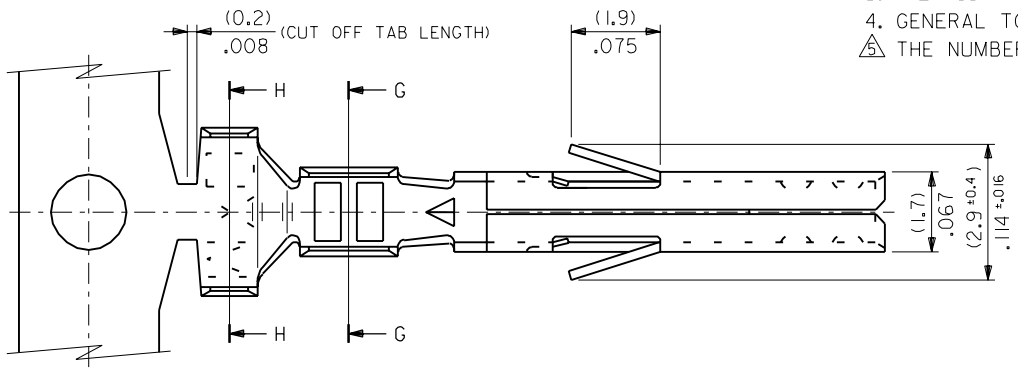
EU RoHS
ELV and RoHS
Compliant

China RoHS



NOTES

1. APPLICABLE HOUSING : 5557 SERIES.
 2. MATES WITH TERMINAL : 5558, 5566, 5569 SERIES.
 3. (METRIC) VALUES SHOWN GOVERN OVER ENGLISH CONVERSION VALUES.
 4. GENERAL TOLERANCES OF ENGLISH CONVERSION VALUES : ±.008 INCH.
- △ THE NUMBER OF SERRATIONS TO BE ONE FOR WIRE RANGE #22-28.



		材料 MATERIAL	SEE SHEET 2 OF 2	MOLEX-JAPAN CO.,LTD. 日本モレックス株式会社	
J	REVISED (JC90279)	Y.K. S.K.	'98/11/6	仕上げ FINISH	SEE SHEET 2 OF 2
H	REVISED (JC90012)	Y.K. S.K.	'98/7/6	適用電線範囲 WIRE RANGE	SEE SHEET 2 OF 2
G	REVISED (JC80619)	Y.K. S.K.	'98/5/6	被覆外径 INS. RANGE	SEE SHEET 2 OF 2
F	REVISED & REDRAWN (J1038D)	H.H.	'91/6/25	DRAWN BY '91/5/18	CHK'D BY '98/11/9
	記号 LTR	変更内容 REVISION RECORD	DR. DATE	H.HIRAMOTO	K.T. S.KUNISHI
一般公差 GENERAL TOLERANCES			REVISION RECORD	APP'D BY '98/11/9	尺 度 SCALE 10 - 1
REVISION RECORD			DR. DATE	M.FUKUSHIMA	

THIS DRAWING CONTAINS INFORMATION THAT IS PROPRIETARY TO MOLEX(JAPAN) AND SHOULD NOT BE USED WITHOUT WRITTEN PERMISSION
 本図面は日本モレックス(株)の所有する情報を含むもので 当社の許可なく複製を禁止する。

ENC. NO SHEET 2 OF 2
SD-5556*****

EDP NO. SEE CHART

MM DIMENSIONS IN METRIC DO NOT SCALE DRAWING

8 7 6 5 4 3 2 1

F
E
D
C
B

MATERIAL	F	E	D	C	B	A	INS. RANGE	WIRE RANGE	EDP NO.	ENG. NO.	FORM
TIN OVER NICKEL PLATED PHOSPHOR BRONZE	(0.9) .035	(4.5) .177	(3.6) .142	(0.6) .024	(2.7) .106	(2.3) .091	∅ (3.1) .122 MAX.	# 16	39-00-0119 ▲ -0118	5556 PBS3L ▲ PBS3	LOOSE CHAIN
	(0.6) .024	(2.3) .091	(2.3) .091	(0.4) .016	(1.65) .065	(1.8) .071	∅ (0.9-1.8) .035-.071	#22-28	-0117 -0116	PBS2L PBS2	LOOSE CHAIN
	(0.9) .035	(4.5) .177	(3.6) .142	(0.5) .020	(2.3) .091	(1.9) .075	∅ (1.3-3.1) .051-.122	# 18-24	-0115 -0114	PBSL PBS	LOOSE CHAIN
	(0.9) .035	(4.5) .177	(3.6) .142	(0.6) .024	(2.7) .106	(2.3) .091	∅ (3.1) .122 MAX.	# 16	-0080 -0079	PBT3L PBT3	LOOSE CHAIN
TIN PLATED PHOSPHOR BRONZE	(0.6) .024	(2.3) .091	(2.3) .091	(0.4) .016	(1.65) .065	(1.8) .071	∅ (0.9-1.8) .035-.071	#22-28	-0066 -0065	PBT2L PBT2	LOOSE CHAIN
	(0.9) .035	(4.5) .177	(3.6) .142	(0.5) .020	(2.3) .091	(1.9) .075	∅ (1.3-3.1) .051-.122	# 18-24	-0060 -0059	PBTL PBT	LOOSE CHAIN
	(0.9) .035	(4.5) .177	(3.6) .142	(0.6) .024	(2.7) .106	(2.3) .091	∅ (3.1) .122 MAX.	# 16	-0113 -0112	S3L S3	LOOSE CHAIN
	(0.6) .024	(2.3) .091	(2.3) .091	(0.4) .016	(1.65) .065	(1.8) .071	∅ (0.9-1.8) .035-.071	#22-28	-0111 -0110	S2L S2	LOOSE CHAIN
TIN OVER NICKEL PLATED BRASS	(0.9) .035	(4.5) .177	(3.6) .142	(0.5) .020	(2.3) .091	(1.9) .075	∅ (1.3-3.1) .051-.122	# 18-24	-0109 -0108	SL S	LOOSE CHAIN
	(0.9) .035	(4.5) .177	(3.6) .142	(0.6) .024	(2.7) .106	(2.3) .091	∅ (3.1) .122 MAX.	# 16	-0078 -0077	T3L T3	LOOSE CHAIN
	(0.6) .024	(2.3) .091	(2.3) .091	(0.4) .016	(1.65) .065	(1.8) .071	∅ (0.9-1.8) .035-.071	#22-28	-0047 -0046	T2L T2	LOOSE CHAIN
	(0.9) .035	(4.5) .177	(3.6) .142	(0.5) .020	(2.3) .091	(1.9) .075	∅ (1.3-3.1) .051-.122	# 18-24	▼ -0039 39-00-0038	▼ TL 5556 T	LOOSE CHAIN

材料 MATERIAL		SEE CHART	moLEX MOLEX-JAPAN CO.,LTD. 日本モレックス株式会社
THICKNESS : (0.203)/.008			
仕上げ FINISH		SEE CHART	EDP. NO.
適用電線範囲 WIRE RANGE		SEE CHART	SEE CHART
被覆外径 INS. RANGE		SEE CHART	ENG. NO. SHEET 2 OF 2 REV
DRAWN BY 9/15/18 H.HIRAMOTO		CHK'D BY 98/11/9 K.T. S.KUNISHI	SD-5556***** J
APPR'D BY 98/11/9 M.FUKUSHIMA		尺度 SCALE 10 - 1	TITLE 名称 NEW MINI. FIT CONN. CRIMP RECEPTACLE

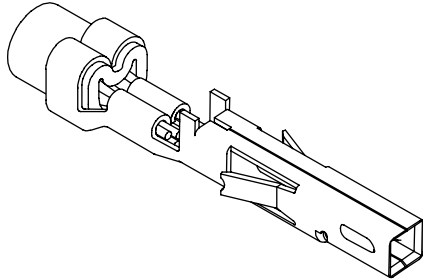
角度 ANGLE	+3°	J SEE SHEET 1 OF 2	Y.K. S.K. 98/11/6
30 以上 OVER	+0.3	H SEE SHEET 1 OF 2	Y.K. S.K. 98/11/6
10 以上 30 未満 UNDER	+0.25	G SEE SHEET 1 OF 2	Y.K. S.K. 98/5/6
10 未満 UNDER	+0.2	F SEE SHEET 1 OF 2	H.H. 9/16/25
一般公差 GENERAL TOLERANCES		記号 LTR 変更内容 REVISION RECORD	DR. CHK. DATE

THIS DRAWING CONTAINS INFORMATION THAT IS PROPRIETARY TO MOLEX(JAPAN) AND SHOULD NOT BE USED WITHOUT WRITTEN PERMISSION
本図面は日本モレックス(株)の所有する情報を含むもので 当社の許可なく複製を禁止する。 MXJ-8

5556.S32

4.20mm (.165") Pitch Mini-Fit Plus™ Terminal

46083
Crimp, Female



Features and Benefits

- Post-plated contacts for superior electrical performance over time
- Reliable 2-point contact design for use in harsh applications or where vibration is expected

Reference Information

Packaging: Reel or bag
Use With: 5557, 30067, 42474 and 44516 housings
Designed In: Millimeters

Electrical

Voltage: 600V
Current: When mating 2-circuit connectors

	16 AWG	18 AWG	20 AWG	22 AWG	24 AWG
Brass	9.0A	9.0A	7.0A	5.0A	4.0A
Phosphor Bronze	8.0A	8.0A	6.0A	4.0A	3.0A

Contact Resistance: 10 milliohms max.
Dielectric Withstanding Voltage: 1500V
Insulation Resistance: 1000 Megohms min.

Mechanical

Contact Insertion Force: 1.5kg max.
Contact Retention to Housing: 3.0kg min.
Wire Pull-Out Force: 9.0kg min.
Normal Force: 200g min.
Durability: Tin—75 cycles
Gold—100 cycles

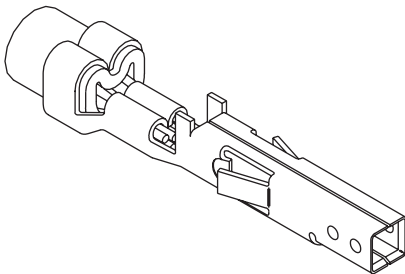
Physical

Contact: Brass or Phosphor Bronze
Plating: Tin or Select Gold
Underplating: Nickel
Operating Temperature: -40 to 105°C

Base Material	Plating Phos Bronze	Insulation Range	Wire Range AWG	Reel	Bag	Lead-free
Brass	Tin	2.20-3.15mm	16	46083-3111	46083-3112	Yes
		1.65-2.95mm	18-20	46083-1111	46083-1112	
		1.20-1.80mm	22-24	46083-2111	46083-2112	
	Select Gold	2.20-3.15mm	16	46083-3211	46083-3212	
		1.65-2.95mm	18-20	46083-1211	46083-1212	
		1.20-1.80mm	22-24	46083-2211	46083-2212	
Phosphor Bronze	Tin	2.20-3.15mm	16	46083-3121	46083-3122	
		1.65-2.95mm	18-20	46083-1121	46083-1122	
		1.20-1.80mm	22-24	46083-2121	46083-2122	
	Select Gold	2.20-3.15mm	16	46083-3221	46083-3222	
		1.65-2.95mm	18-20	46083-1221	46083-1222	
		1.20-1.80mm	22-24	46083-2221	46083-2222	

4.20mm (.165") Pitch Mini-Fit® Family Terminal

5556
Crimp, Female



Features and Benefits

- Four gas-tight points of contact on Tin-plated contacts

Reference Information

Packaging: Reel or bag
Use With: 5557, 30067 and 42474 housings
Designed In: Millimeters

Electrical

Voltage: 600V
Current: 16 AWG—9.0A max.
Contact Resistance: 10 milliohms max.
Dielectric Withstanding Voltage: 1500V
Insulation Resistance: 1000 Megohms min.

Mechanical

Contact Insertion Force: 1.5kg max.
Contact Retention to Housing: 3.0kg min.
Wire Pull-Out Force: 9.0kg min.
Normal Force: 200g min.
Durability: 30 cycles

Physical

Contact: Brass or Phosphor Bronze
Plating: Pre-plated Tin
Underplating: Copper
Operating Temperature: -40 to 105°C

Contact Material	Wire Size (AWG)	Insulation Range	Order No. 5556		Lead-free
			Reel	Bag	
Brass	16	1.80-3.10 (.071-.122)	39-00-0077	39-00-0078	Yes
	18-24	1.30-3.10 (.051-.122)	39-00-0038	39-00-0039	
Phosphor Bronze	16	1.80-3.10 (.071-.122)	39-00-0079	39-00-0080	
	18-24	1.30-3.10 (.051-.122)	39-00-0059	39-00-0060	