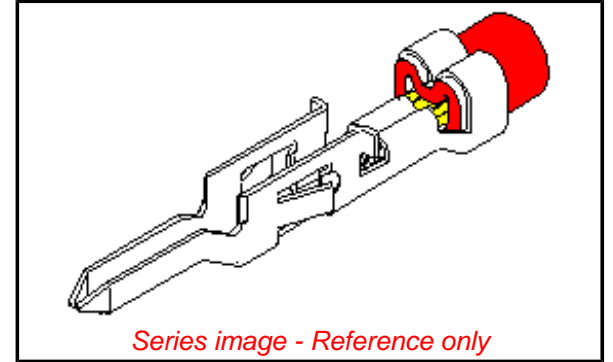


**Part Number:** [0039000062](#)  
**Status:** **Active**  
**Description:** 4.20mm (.165") Pitch Mini-Fit™ Crimp Terminal, Male, Phosphor Bronze, Tin (Sn), 18-24 AWG, Bag



*Series image - Reference only*

**General**

Product Family	Crimp Terminals
Series	5558
Product Name	Mini-Fit®

**Physical**

Durability (mating cycles) min	100 cycles
Gender	Male
Material - Metal	Phosphor Bronze
Material - Plating Mating	Tin
Material - Plating Termination	Tin
Packaging Type	Bag
Plating min: Mating (µin)	36
Plating min: Mating (µm)	0.90
Plating min: Termination (µin)	36
Plating min: Termination (µm)	0.90
Termination Interface: Style	Crimp or Compression
Wire Insulation Diameter	1.30-3.10mm (.051-.122")
Wire Size AWG	18
Wire Size AWG	20
Wire Size AWG	22
Wire Size AWG	24
Wire Size mm²	N/A

**Electrical**

Voltage - Maximum	600V
-------------------	------

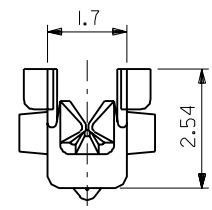
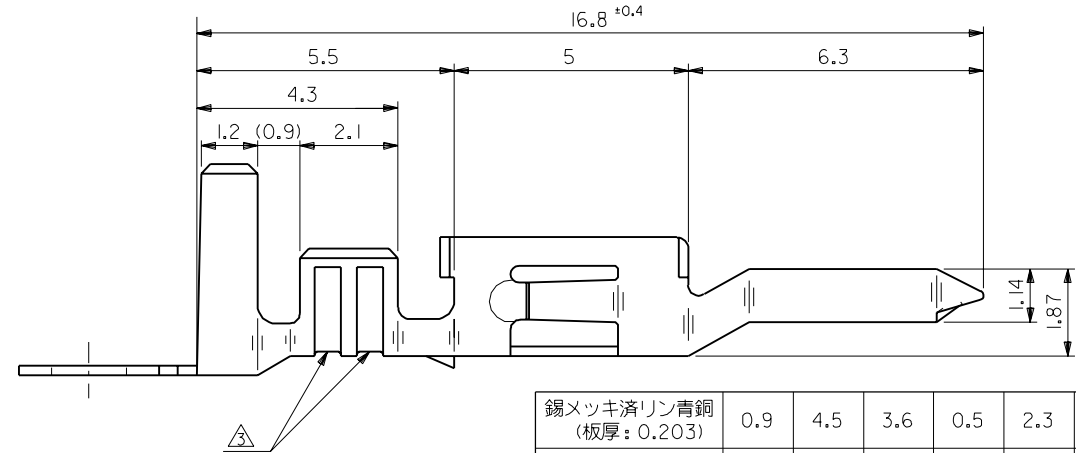
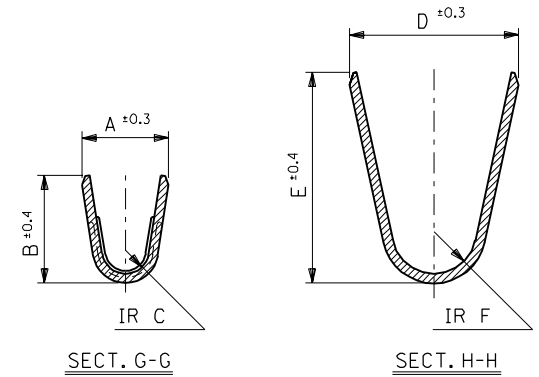
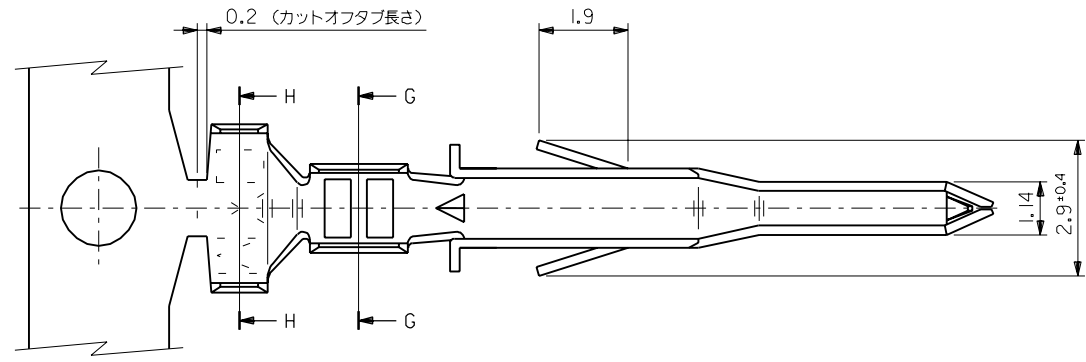
**Material Info**

Old Part Number	5558PBTL
-----------------	----------

**EU RoHS**  
**ELV and RoHS**  
**Compliant**

**China RoHS**





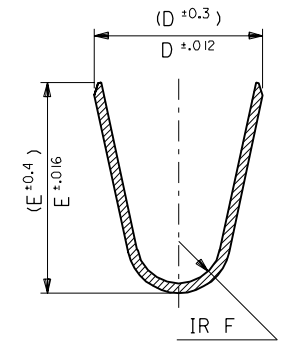
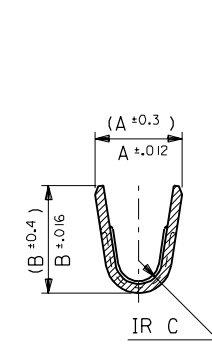
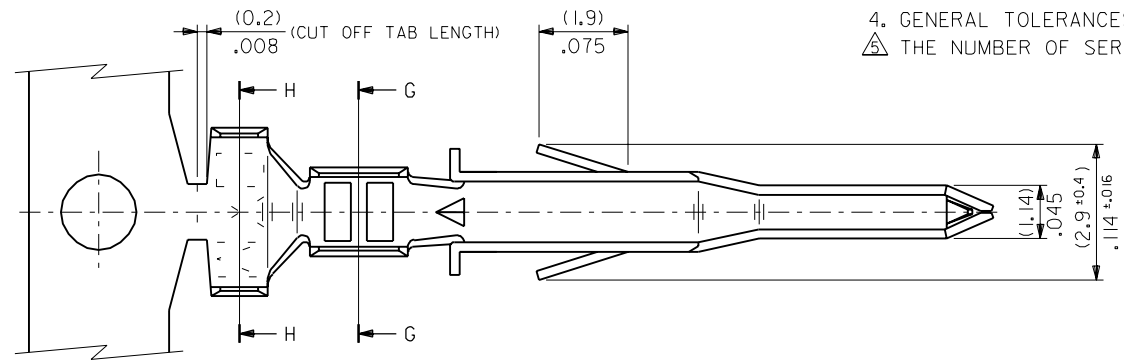
錫メッキ済リン青銅 (板厚: 0.203)	0.9	4.5	3.6	0.5	2.3	1.9	∅ 1.3-3.1	#18-24	39-00-0062	5558 PBTL	バラ状
錫メッキ済黄銅 (板厚: 0.203)	0.6	2.3	2.3	0.4	1.65	1.8	∅ 0.9-1.8	#22-28	-0061	PBT	連鎖状
	0.9	4.5	3.6	0.5	2.3	1.9	∅ 1.3-3.1	#18-24	-0049	T2L	バラ状
									-0048	T2	連鎖状
39-00-0040	5558 T	連鎖状									
材料	F	E	D	C	B	A	被覆外径	適用電線	EDP NO.	ENG. NO.	端子形状

注記  
 1. 適合ハウジング : 5559 シリーズ  
 2. 嵌合相手 : 5556 シリーズ  
 ③ 適用電線が #22-28 の製品のセレーション数は 1 とする。

角度 ANGLE		±3°	F 変更 (JC80619)	Y.K S.K '98/5/6	材料 MATERIAL	表参照	MOLEX MOLEX-JAPAN CO.,LTD. 日本モレックス株式会社
30 以上 OVER	±0.3	E 変更 (J10380)	H.H S.K '91/5/21	仕上げ FINISH	—	EDP. NO.	
10 以上 30 未満 OVER UNDER	±0.25	D 変更&再作図 (J10261)	H.H Y.y '91/4/12	適用電線範囲 WIRE RANGE	表参照	39-00-00**	
10 未満 UNDER	±0.2	記号 LTR	変更内容 REVISION RECORD	被覆外径 INS. RANGE	表参照	ENG. NO.	
一般公差 GENERAL TOLERANCES		REVISION RECORD	DR. CHK. 日付 DATE	DRAWN BY '91/4/5 H.HIRAMOTO	CHK'D BY '98/7/7 K.T S.KUNISHI	SD-5558****	
		REVISION RECORD	DR. CHK. 日付 DATE	APP'D BY '98/7/7 M.FUKUSHIMA	尺度 SCALE 10 - 1	REV G	

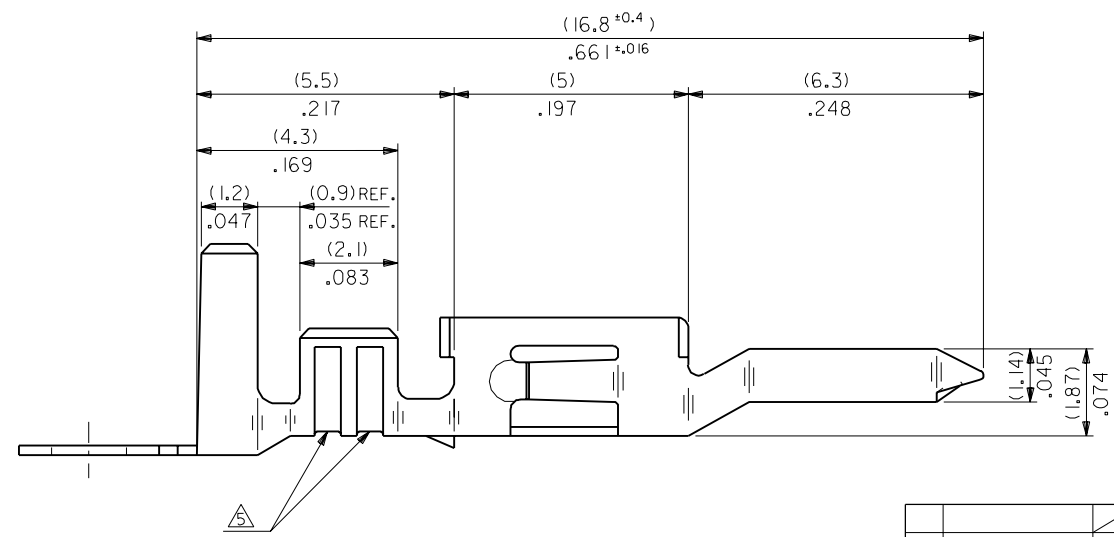
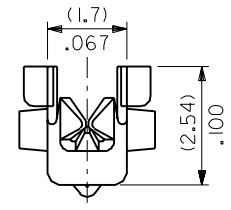
NOTES

1. APPLICABLE HOUSING : 5559 SERIES
  2. MATES WITH TERMINAL : 5556 SERIES
  3. (METRIC) VALUES SHOWN GOVERN OVER ENGLISH CONVERSION VALUES.
  4. GENERAL TOLERANCES OF ENGLISH CONVERSION VALUES : ±.008 INCH
- △ THE NUMBER OF SERRATIONS TO BE ONE FOR WIRE RANGE #22-28.




SECT. G-G

SECT. H-H



角 度		±3°	H	REVISD (J20428)	H.H. Y.Y.	92/5/20	適用電線範圍	SEE SHEET 2 OF 2
30 以上 OVER	±0.3	G	REVISD (J1038 II)	H.H. Y.Y.	9/6/25	被覆外徑	SEE SHEET 2 OF 2	
10 以上 30 未滿 UNDER	±0.25	F	REVISD & REDRAWN (J10202)	H.H. Y.Y.	9/4/27	INS. RANGE	SEE SHEET 2 OF 2	
10 未滿 UNDER	±0.2	記号 LTR 変更内容 REVISION RECORD		DR. CHK.	日付 DATE	DRAWN BY 9/13/02 H.HIRAMOTO		
一般公差 GENERAL TOLERANCES		REVISE ONLY ON CAD SYSTEM					CHK'D BY 98/7/7 K.T.S.KUNISHI	
		MATERIAL SEE SHEET 2 OF 2					MOLEX-JAPAN CO.,LTD. 日本モレックス株式会社	
		FINISH SEE SHEET 2 OF 2					EDP. NO. SEE SHEET 2 OF 2	
		WIRE RANGE SEE SHEET 2 OF 2					ENG. NO. SHEET 1 OF 2 REV K	
		INS. RANGE SEE SHEET 2 OF 2					SD-5558*****	
		APP'D BY 98/7/7 M.FUKUSHIMA					TITLE 名称 NEW MINI. FIT CONN. CRIMP PIN	

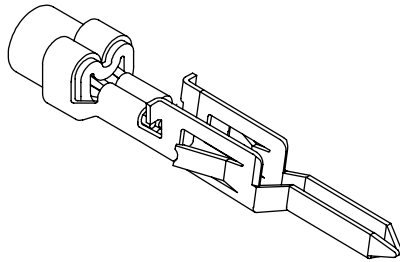
TIN PLATED PHOSPHOR BRONZE	(0.9) .035	(4.5) .177	(3.6) .142	(0.6) .024	(2.7) .106	(2.3) .091	∅ (3.1) .122 MAX.	# 16	39-00-0084	5558 PBT3L	LOOSE
	(0.6) .024	(2.3) .091	(2.3) .091	(0.4) .016	(1.65) .065	(1.8) .071	∅ (0.9-1.8) .035-.071	#22-28	-0083	PBT3	CHAIN
	(0.9) .035	(4.5) .177	(3.6) .142	(0.5) .020	(2.3) .091	(1.9) .075	∅ (1.3-3.1) .051-.122	# 18-24	-0068	PBT2L	LOOSE
TIN OVER COPPER PLATED BRASS	(0.9) .035	(4.5) .177	(3.6) .142	(0.6) .024	(2.7) .106	(2.3) .091	∅ (3.1) .122 MAX.	# 16	-0067	PBT2	CHAIN
	(0.6) .024	(2.3) .091	(2.3) .091	(0.4) .016	(1.65) .065	(1.8) .071	∅ (0.9-1.8) .035-.071	#22-28	-0062	PBTL	LOOSE
	(0.9) .035	(4.5) .177	(3.6) .142	(0.5) .020	(2.3) .091	(1.9) .075	∅ (1.3-3.1) .051-.122	# 18-24	-0061	PBT	CHAIN
MATERIAL	F	E	D	C	B	A	INS. RANGE	WIRE RANGE	EDP NO.	ENG. NO.	FORM

材料 MATERIAL	SEE CHART	 MOLEX-JAPAN CO.,LTD. 日本モレックス株式会社
THICKNESS : (0.203)/.008	SEE CHART	
仕上げ FINISH	SEE CHART	EDP. NO.
適用電線範囲 WIRE RANGE	SEE CHART	SEE CHART
被覆外径 INS. RANGE	SEE CHART	ENG. NO. SHEET 2 OF 2
DRAWN BY '91/3/R H.HIRAMOTO	CHK'D BY '98/7/7 K.T.S.KUNISHI	REV K
APP'D BY '98/7/7 M.FUKUSHIMA	尺度 SCALE 10 - 1	SD-5558*****
角度 ANGLE	±3°	
30以上 OVER	+0.3	
10以上 30未滿 UNDER	+0.25	
10未滿 UNDER	+0.2	
一般公差 GENERAL TOLERANCES		

THIS DRAWING CONTAINS INFORMATION THAT IS PROPRIETARY TO MOLEX/JAPAN AND SHOULD NOT BE USED WITHOUT WRITTEN PERMISSION  
 本図面は日本モレックス(株)の所有する情報を含むもので 当社の許可なく複製を禁止する。

# 4.20mm (.165") Pitch Mini-Fit Plus™ Terminal

**46134**  
Crimp, Male



### Features and Benefits

- Post-plated contacts for superior electrical performance over time
- Locking tangs assure high contact retention to the housing

### Reference Information

Packaging: Reel or bag  
Use With: 5559, 42475 and 30068 housings

### Electrical

Voltage: 600V  
Current: When mating 2-circuit connectors

	16 AWG	18 AWG	20 AWG	22 AWG	24 AWG
Brass	9.0A	9.0A	7.0A	5.0A	4.0A
Phosphor Bronze	8.0A	8.0A	6.0A	4.0A	3.0A

Contact Resistance: 10 milliohms max.  
Dielectric Withstanding Voltage: 1500V  
Insulation Resistance: 1000 Megohms min.

### Mechanical

Contact Insertion Force: 1.5kg max.  
Contact Retention to Housing: 3.0kg min.  
Wire Pull-Out Force: 9.0kg min.  
Durability: Tin—75 cycles  
Gold—100 cycles

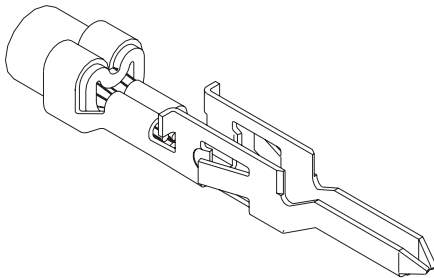
### Physical

Contact: Brass or Phosphor Bronze  
Plating: Tin or Select Gold  
Underplating: Nickel  
Operating Temperature: -40 to +105°C

Base Material	Plating	Insulation Range	Wire Range AWG	Reel	Bag	Lead-free
Brass	Tin	2.20-3.15mm	16	<a href="#">46134-3111</a>	<a href="#">46134-3112</a>	Yes
		1.65-2.95mm	18-20	<a href="#">46134-1111</a>	<a href="#">46134-1112</a>	
		1.20-1.80mm	22-24	<a href="#">46134-2111</a>	<a href="#">46134-2112</a>	
	Select Gold	2.20-3.15mm	16	<a href="#">46134-3211</a>	<a href="#">46134-3212</a>	
		1.65-2.95mm	18-20	<a href="#">46134-1211</a>	<a href="#">46134-1212</a>	
		1.20-1.80mm	22-24	<a href="#">46134-2211</a>	<a href="#">46134-2212</a>	
Phosphor Bronze	Tin	2.20-3.15mm	16	<a href="#">46134-3121</a>	<a href="#">46134-3122</a>	
		1.65-2.95mm	18-20	<a href="#">46134-1121</a>	<a href="#">46134-1122</a>	
		1.20-1.80mm	22-24	<a href="#">46134-2121</a>	<a href="#">46134-2122</a>	
	Select Gold	2.20-3.15mm	16	<a href="#">46134-3221</a>	<a href="#">46134-3222</a>	
		1.65-2.95mm	18-20	<a href="#">46134-1221</a>	<a href="#">46134-1222</a>	
		1.20-1.80mm	22-24	<a href="#">46134-2221</a>	<a href="#">46134-2222</a>	

# 4.20mm (.165") Pitch Mini-Fit® Family Terminal

**5558**  
Crimp, Male



### Features and Benefits

- Four gas-tight points of contact on Tin-plated contacts

### Reference Information

Packaging: Reel or bag  
Use With: 5559, 42475 and 30068 housings  
Designed In: Millimeters

### Electrical

Voltage: 600V  
Current: 16 AWG—9.0A max.  
Contact Resistance: 10 milliohms max.  
Dielectric Withstanding Voltage: 1500V  
Insulation Resistance: 1000 Megohms min.

### Mechanical

Contact Insertion Force: 1.5kg max.  
Contact Retention to Housing: 3.0kg min.  
Wire Pull-Out Force: 9.0kg min.  
Durability: 30 cycles

### Physical

Contact: Brass or Phosphor Bronze  
Plating: Pre-plated Tin  
Underplating: Copper  
Operating Temperature: -40 to +105°C

Contact Material	Wire Size (AWG)	Order No.		Lead-free
		Reel	Bag	
Brass	16	<a href="#">39-00-0081</a>	<a href="#">39-00-0082</a>	Yes
	18-24	<a href="#">39-00-0040</a>	<a href="#">39-00-0041</a>	
Phosphor Bronze	16	<a href="#">39-00-0083</a>	<a href="#">39-00-0084</a>	
	18-24	<a href="#">39-00-0061</a>	<a href="#">39-00-0062</a>	