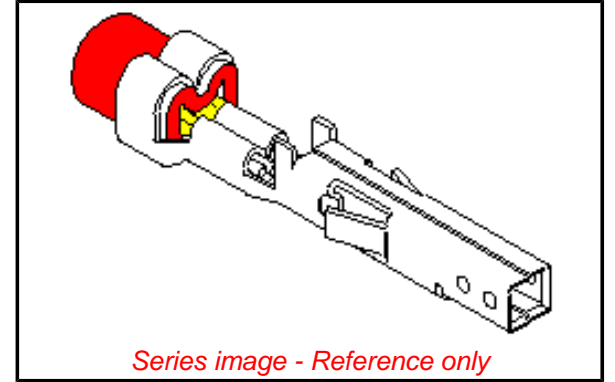


**Part Number:** [0039000060](#)  
**Status:** **Active**  
**Description:** 4.20mm (.165") Pitch Mini-Fit™ Crimp Terminal, Female, Phosphor Bronze, Tin (Sn), 18-24 AWG, Bag



Series image - Reference only

**General**

Product Family	Crimp Terminals
Series	<u>5556</u>
Product Name	Mini-Fit®

**Physical**

Durability (mating cycles) min	75 cycles
Gender	Receptacle
Material - Metal	Phosphor Bronze
Material - Plating Mating	Tin
Material - Plating Termination	Tin
Packaging Type	Bag
Plating min: Mating (µin)	36
Plating min: Mating (µm)	0.90
Plating min: Termination (µin)	36
Plating min: Termination (µm)	0.90
Termination Interface: Style	Crimp or Compression
Wire Insulation Diameter	1.30-3.10mm (.051-.122")
Wire Size AWG	18
Wire Size AWG	20
Wire Size AWG	22
Wire Size AWG	24
Wire Size mm²	N/A

**Electrical**

Voltage - Maximum	600V
-------------------	------

**Material Info**

Old Part Number	5556PBTL
-----------------	----------

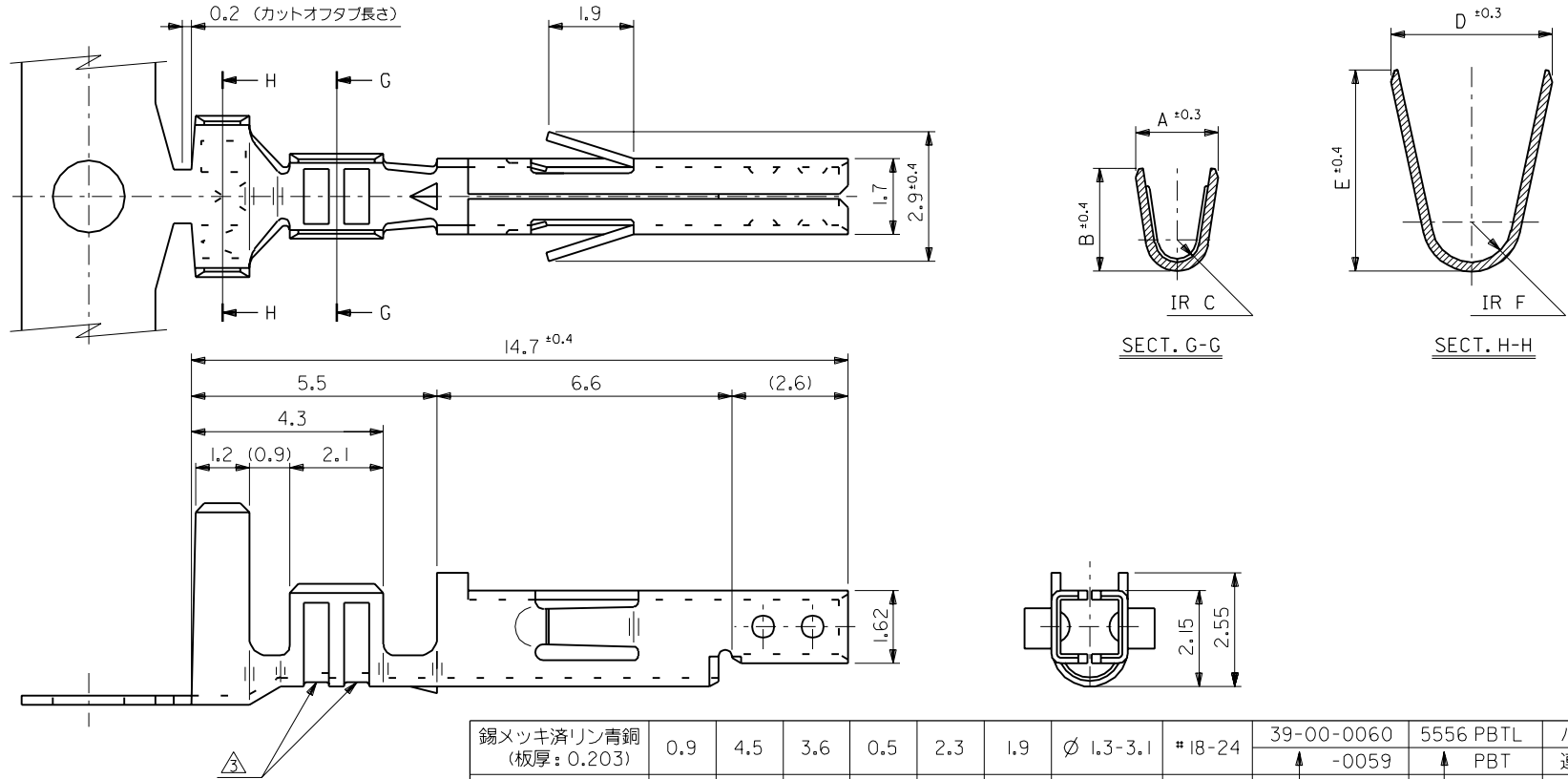
**EU RoHS**  
ELV and RoHS  
Compliant

**China RoHS**



EDP NO. 39-00-00\*\* ENG. NO. SD-5556\*\*\*\*

MM DIMENSIONS IN METRIC DO NOT SCALE DRAWING



錫メッキ済リン青銅 (板厚: 0.203)	0.9	4.5	3.6	0.5	2.3	1.9	∅ 1.3-3.1	# 18-24	39-00-0060	5556 PBTL	バラ状
									↑ -0059	↑ PBT	連鎖状
錫メッキ済黄銅 (板厚: 0.203)	0.6	2.3	2.3	0.4	1.65	1.8	∅ 0.9-1.8	# 22-28	-0047	T2L	バラ状
									-0046	T2	連鎖状
	0.9	4.5	3.6	0.5	2.3	1.9	∅ 1.3-3.1	# 18-24	↓ -0039	↓ TL	バラ状
材料	F	E	D	C	B	A	被覆外径	適用電線	EDP NO.	ENG. NO.	端子形状

注記

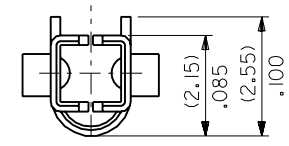
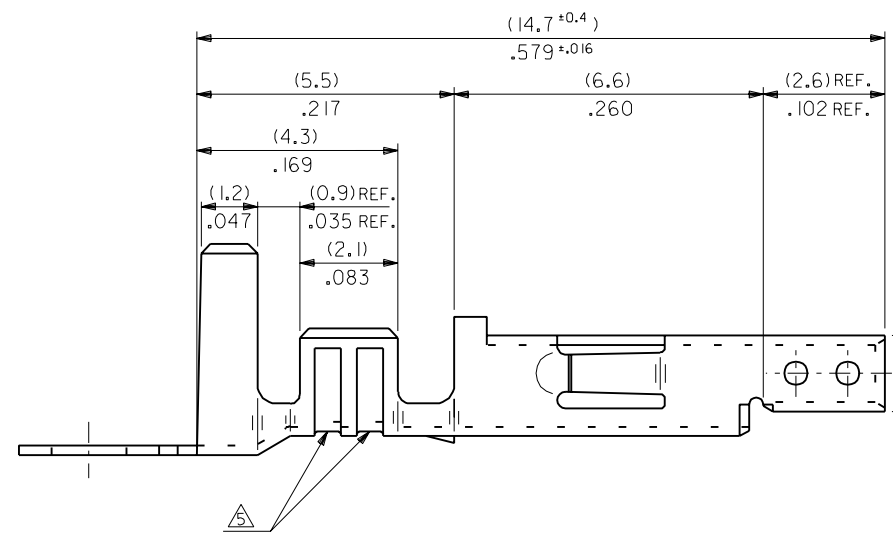
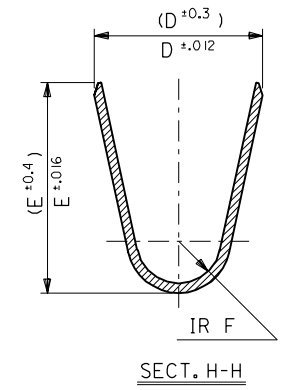
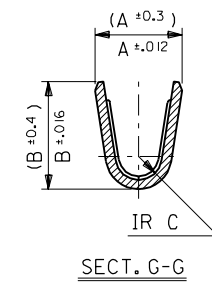
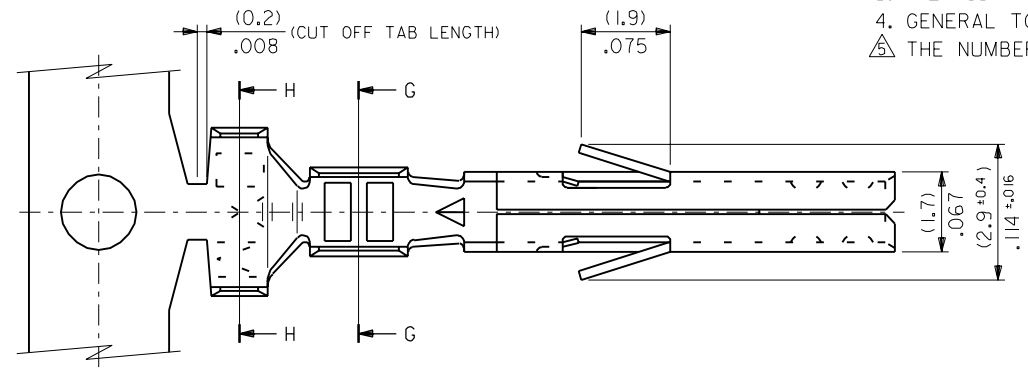
- 適合ハウジング: 5557 シリーズ
  - 嵌合相手: 5558, 5566, 5569 シリーズ
- ⊗ 適用電線が # 22-28 の製品のセレクション数は 1 とする。

材料 MATERIAL		表参照		MOLDEX JAPAN CO., LTD. 日本モレックス株式会社	
仕上げ FINISH		—H—		EDP. NO. 39-00-00**	
適用電線範囲 WIRE RANGE		表参照		ENG. NO. SD-5556****	
被覆外径 INS. RANGE		表参照		REV G	
DRAWN BY '91/5/18 H.HIRAMOTO		CHK'D BY '98/11/9 K.I.S.KUNISHI		TITLE 名称 NEW MINI. FIT CONN. CRIMP RECEPTACLE	
APP'D BY '98/11/9 M.FUKUSHIMA		尺 度 SCALE 10 - 1			
角度 ANGLE	±3°	F 変更	(JC90279)	Y.K.	'98/11/6
30 以上 OVER	+0.3	E 変更	(JC90012)	Y.K.	'98/7/6
10 以上 30 未満 UNDER	+0.25	D 変更&再作図	(J10380)	H.H.	'98/5/6
10 未満 UNDER	+0.2	記号 LTR	変更内容 REVISION RECORD	DR. CHK.	日付 DATE
一般公差 GENERAL TOLERANCES		REVISE ONLY ON CAD SYSTEM			

5556.S21

**NOTES**

1. APPLICABLE HOUSING : 5557 SERIES.
  2. MATES WITH TERMINAL : 5558, 5566, 5569 SERIES.
  3. (METRIC) VALUES SHOWN GOVERN OVER ENGLISH CONVERSION VALUES.
  4. GENERAL TOLERANCES OF ENGLISH CONVERSION VALUES : ±.008 INCH.
- △ THE NUMBER OF SERRATIONS TO BE ONE FOR WIRE RANGE #22-28.



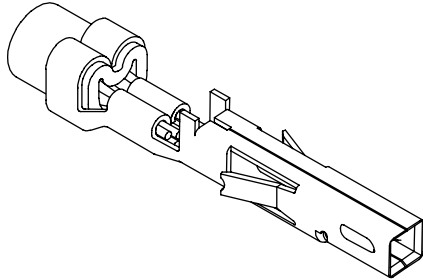
		材料 MATERIAL	SEE SHEET 2 OF 2	MOLEX-JAPAN CO.,LTD. 日本モレックス株式会社	
J	REVISED (JC90279)	Y.K. S.K.	'98/11/6	仕上げ FINISH	SEE SHEET 2 OF 2
H	REVISED (JC90012)	Y.K. S.K.	'98/7/6	適用電線範囲 WIRE RANGE	SEE SHEET 2 OF 2
G	REVISED (JC80619)	Y.K. S.K.	'98/5/6	被覆外径 INS. RANGE	SEE SHEET 2 OF 2
F	REVISED & REDRAWN (J1038D)	H.H.	'91/6/25	DRAWN BY '91/5/18 CHK'D BY '98/11/9 H.HIRAMOTO K.T.S.KUNISHI APP'D BY '98/11/9 M.FUKUSHIMA 尺度 SCALE 10 - 1	
角度 ANGLE ±3° 30以上 OVER ±0.3 10以上 30未満 UNDER ±0.25 10未満 UNDER ±0.2 一般公差 GENERAL TOLERANCES		記号 LTR 変更内容 REVISION RECORD DR. CHK. 日付 DATE		EDP. NO. SEE SHEET 2 OF 2 ENG. NO. SHEET 1 OF 2 REV J SD-5556***** TITLE 名称 NEW MINI. FIT CONN. CRIMP RECEPTACLE	

TIN OVER NICKEL PLATED PHOSPHOR BRONZE	(0.9) .035	(4.5) .177	(3.6) .142	(0.6) .024	(2.7) .106	(2.3) .091	∅ (3.1) MAX. .122	# 16	39-00-0119	5556 PBS3L	LOOSE
									▲ -0118	▲ PBS3	CHAIN
	(0.6) .024	(2.3) .091	(2.3) .091	(0.4) .016	(1.65) .065	(1.8) .071	∅ (0.9-1.8) .035-.071	#22-28	-0116	PBS2L	LOOSE
	(0.9) .035	(4.5) .177	(3.6) .142	(0.5) .020	(2.3) .091	(1.9) .075	∅ (1.3-3.1) .051-.122	# 18-24	-0115	PBSL	LOOSE
									-0114	PBS	CHAIN
TIN PLATED PHOSPHOR BRONZE	(0.9) .035	(4.5) .177	(3.6) .142	(0.6) .024	(2.7) .106	(2.3) .091	∅ (3.1) MAX. .122	# 16	-0080	PBT3L	LOOSE
									-0079	PBT3	CHAIN
	(0.6) .024	(2.3) .091	(2.3) .091	(0.4) .016	(1.65) .065	(1.8) .071	∅ (0.9-1.8) .035-.071	#22-28	-0066	PBT2L	LOOSE
	(0.9) .035	(4.5) .177	(3.6) .142	(0.5) .020	(2.3) .091	(1.9) .075	∅ (1.3-3.1) .051-.122	# 18-24	-0060	PBTL	LOOSE
									-0059	PBT	CHAIN
TIN OVER NICKEL PLATED BRASS	(0.9) .035	(4.5) .177	(3.6) .142	(0.6) .024	(2.7) .106	(2.3) .091	∅ (3.1) MAX. .122	# 16	-0113	S3L	LOOSE
									-0112	S3	CHAIN
	(0.6) .024	(2.3) .091	(2.3) .091	(0.4) .016	(1.65) .065	(1.8) .071	∅ (0.9-1.8) .035-.071	#22-28	-0111	S2L	LOOSE
	(0.9) .035	(4.5) .177	(3.6) .142	(0.5) .020	(2.3) .091	(1.9) .075	∅ (1.3-3.1) .051-.122	# 18-24	-0109	SL	LOOSE
									-0108	S	CHAIN
TIN OVER COPPER PLATED BRASS	(0.9) .035	(4.5) .177	(3.6) .142	(0.6) .024	(2.7) .106	(2.3) .091	∅ (3.1) MAX. .122	# 16	-0078	T3L	LOOSE
									-0077	T3	CHAIN
	(0.6) .024	(2.3) .091	(2.3) .091	(0.4) .016	(1.65) .065	(1.8) .071	∅ (0.9-1.8) .035-.071	#22-28	-0047	T2L	LOOSE
	(0.9) .035	(4.5) .177	(3.6) .142	(0.5) .020	(2.3) .091	(1.9) .075	∅ (1.3-3.1) .051-.122	# 18-24	-0046	T2	CHAIN
								▼ -0039	▼ TL	LOOSE	
									39-00-0038	5556 T	CHAIN
MATERIAL	F	E	D	C	B	A	INS. RANGE	WIRE RANGE	EDP NO.	ENG. NO.	FORM

材料 MATERIAL		SEE CHART	MOLEX JAPAN CO.,LTD. 日本モレックス株式会社
THICKNESS : (0.203)/.008			
J	SEE SHEET 1 OF 2	Y.K S.K '98/11/6	EDP. NO.
仕上げ FINISH		SEE CHART	SEE CHART
角度 ANGLE	±3°	H	適用電線範囲 WIRE RANGE
30以上 OVER		G	SEE CHART
10以上 30未滿 UNDER	±0.25	F	SEE CHART
10未滿 UNDER	±0.2	記号 LTR	變更内容 REVISION RECORD
一般公差 GENERAL TOLERANCES		DR. CHK. DATE	被覆外径 INS. RANGE
			DRAWN BY '91/5/18 H.HIRAMOTO
			CHK'D BY '98/11/9 K.T.S.KUNISHI
			APP'D BY '98/11/9 M.FUKUSHIMA
			尺度 SCALE 10 - 1
REVISE ONLY ON CAD SYSTEM			TITLE 名称 NEW MINI. FIT CONN. CRIMP RECEPTACLE

# 4.20mm (.165") Pitch Mini-Fit Plus™ Terminal

**46083**  
Crimp, Female



### Features and Benefits

- Post-plated contacts for superior electrical performance over time
- Reliable 2-point contact design for use in harsh applications or where vibration is expected

### Reference Information

Packaging: Reel or bag  
Use With: 5557, 30067, 42474 and 44516 housings  
Designed In: Millimeters

### Electrical

Voltage: 600V  
Current: When mating 2-circuit connectors

	16 AWG	18 AWG	20 AWG	22 AWG	24 AWG
Brass	9.0A	9.0A	7.0A	5.0A	4.0A
Phosphor Bronze	8.0A	8.0A	6.0A	4.0A	3.0A

Contact Resistance: 10 milliohms max.  
Dielectric Withstanding Voltage: 1500V  
Insulation Resistance: 1000 Megohms min.

### Mechanical

Contact Insertion Force: 1.5kg max.  
Contact Retention to Housing: 3.0kg min.  
Wire Pull-Out Force: 9.0kg min.  
Normal Force: 200g min.  
Durability: Tin—75 cycles  
Gold—100 cycles

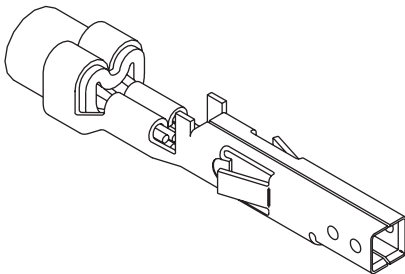
### Physical

Contact: Brass or Phosphor Bronze  
Plating: Tin or Select Gold  
Underplating: Nickel  
Operating Temperature: -40 to 105°C

Base Material	Plating Phos Bronze	Insulation Range	Wire Range AWG	Reel	Bag	Lead-free
Brass	Tin	2.20-3.15mm	16	<a href="#">46083-3111</a>	<a href="#">46083-3112</a>	Yes
		1.65-2.95mm	18-20	<a href="#">46083-1111</a>	<a href="#">46083-1112</a>	
		1.20-1.80mm	22-24	<a href="#">46083-2111</a>	<a href="#">46083-2112</a>	
	Select Gold	2.20-3.15mm	16	<a href="#">46083-3211</a>	<a href="#">46083-3212</a>	
		1.65-2.95mm	18-20	<a href="#">46083-1211</a>	<a href="#">46083-1212</a>	
		1.20-1.80mm	22-24	<a href="#">46083-2211</a>	<a href="#">46083-2212</a>	
Phosphor Bronze	Tin	2.20-3.15mm	16	<a href="#">46083-3121</a>	<a href="#">46083-3122</a>	
		1.65-2.95mm	18-20	<a href="#">46083-1121</a>	<a href="#">46083-1122</a>	
		1.20-1.80mm	22-24	<a href="#">46083-2121</a>	<a href="#">46083-2122</a>	
	Select Gold	2.20-3.15mm	16	<a href="#">46083-3221</a>	<a href="#">46083-3222</a>	
		1.65-2.95mm	18-20	<a href="#">46083-1221</a>	<a href="#">46083-1222</a>	
		1.20-1.80mm	22-24	<a href="#">46083-2221</a>	<a href="#">46083-2222</a>	

# 4.20mm (.165") Pitch Mini-Fit® Family Terminal

**5556**  
Crimp, Female



### Features and Benefits

- Four gas-tight points of contact on Tin-plated contacts

### Reference Information

Packaging: Reel or bag  
Use With: 5557, 30067 and 42474 housings  
Designed In: Millimeters

### Electrical

Voltage: 600V  
Current: 16 AWG—9.0A max.  
Contact Resistance: 10 milliohms max.  
Dielectric Withstanding Voltage: 1500V  
Insulation Resistance: 1000 Megohms min.

### Mechanical

Contact Insertion Force: 1.5kg max.  
Contact Retention to Housing: 3.0kg min.  
Wire Pull-Out Force: 9.0kg min.  
Normal Force: 200g min.  
Durability: 30 cycles

### Physical

Contact: Brass or Phosphor Bronze  
Plating: Pre-plated Tin  
Underplating: Copper  
Operating Temperature: -40 to 105°C

Contact Material	Wire Size (AWG)	Insulation Range	Order No. 5556		Lead-free
			Reel	Bag	
Brass	16	1.80-3.10 (.071-.122)	<a href="#">39-00-0077</a>	<a href="#">39-00-0078</a>	Yes
	18-24	1.30-3.10 (.051-.122)	<a href="#">39-00-0038</a>	<a href="#">39-00-0039</a>	
Phosphor Bronze	16	1.80-3.10 (.071-.122)	<a href="#">39-00-0079</a>	<a href="#">39-00-0080</a>	
	18-24	1.30-3.10 (.051-.122)	<a href="#">39-00-0059</a>	<a href="#">39-00-0060</a>	