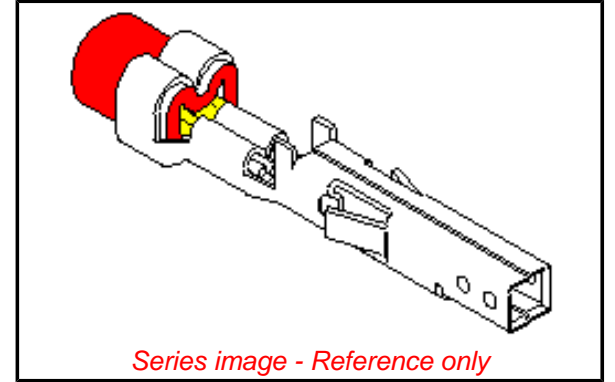


Part Number: [0039000047](#)
Status: **Active**
Description: 4.20mm (.165") Pitch Mini-Fit™ Crimp Terminal, Female, with Tin (Sn) over Copper (Cu) Plated Brass, 22-28 AWG, Bag



Series image - Reference only

General

Product Family	Crimp Terminals
Series	5556
Product Name	Mini-Fit®

Physical

Durability (mating cycles) min	75 cycles
Gender	Receptacle
Material - Metal	Brass
Material - Plating Mating	Tin
Material - Plating Termination	Tin
Packaging Type	Bag
Plating min: Mating (µin)	35
Plating min: Mating (µm)	0.88
Plating min: Termination (µin)	35
Plating min: Termination (µm)	0.88
Termination Interface: Style	Crimp or Compression
Wire Insulation Diameter	0.90-1.80mm (.035-.071")
Wire Size AWG	22
Wire Size AWG	24
Wire Size AWG	26
Wire Size AWG	28
Wire Size mm²	N/A

Electrical

Voltage - Maximum	600V
-------------------	------

Material Info

Old Part Number	5556T2L
-----------------	---------

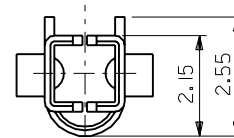
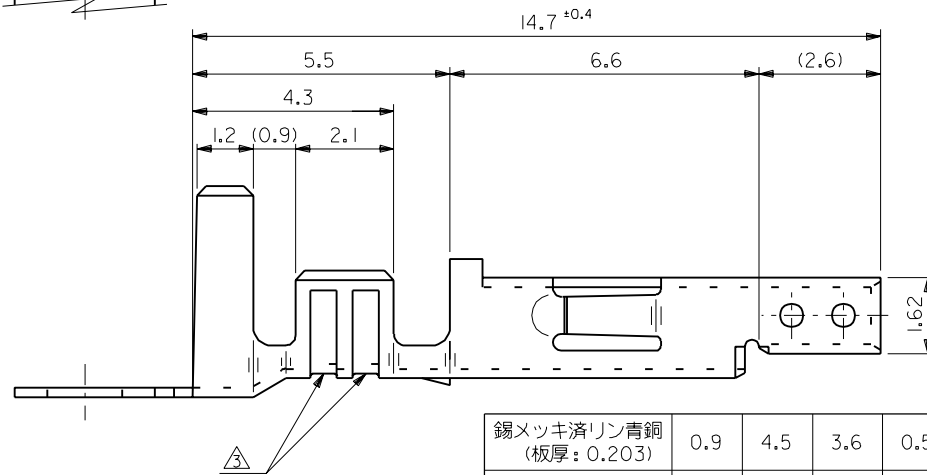
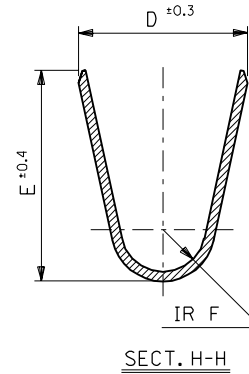
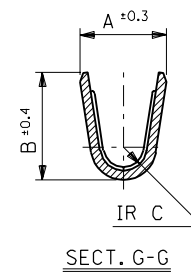
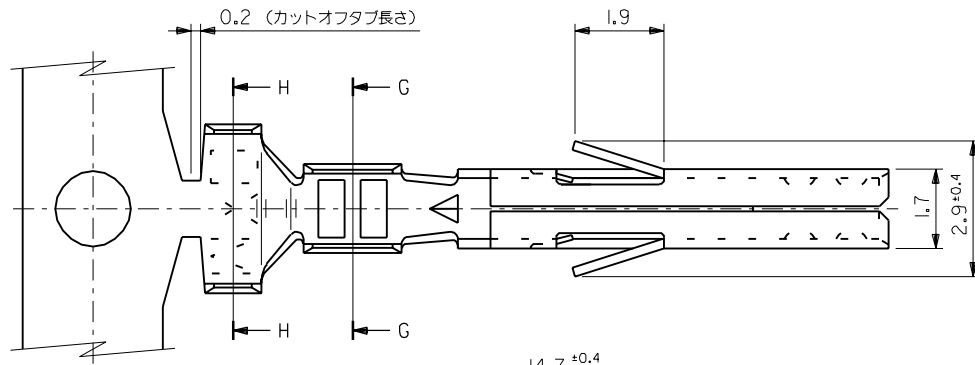
EU RoHS
ELV and RoHS
Compliant

China RoHS



EDP NO. 39-00-00** ENG. NO. SD-5556****

MM DIMENSIONS IN METRIC DO NOT SCALE DRAWING



錫メッキ済リン青銅 (板厚: 0.203)	0.9	4.5	3.6	0.5	2.3	1.9	∅ 1.3-3.1	#18-24	39-00-0060	5556 PBTL	バラ状
錫メッキ済黄銅 (板厚: 0.203)	0.6	2.3	2.3	0.4	1.65	1.8	∅ 0.9-1.8	#22-28	-0059	PBT	連鎖状
	0.9	4.5	3.6	0.5	2.3	1.9	∅ 1.3-3.1	#18-24	-0047	T2L	バラ状
									-0046	T2	連鎖状
39-00-0038	5556 T	連鎖状									
材料	F	E	D	C	B	A	被覆外径	適用電線	EDP NO.	ENG. NO.	端子形状

注記

- 適合ハウジング: 5557 シリーズ
 - 嵌合相手: 5558, 5566, 5569 シリーズ
- ㊦ 適用電線が #22-28 の製品のセレーション数は 1 とする。

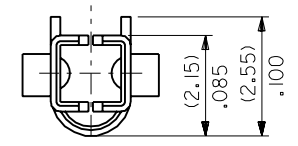
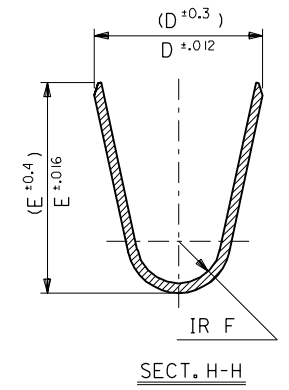
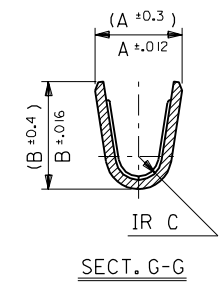
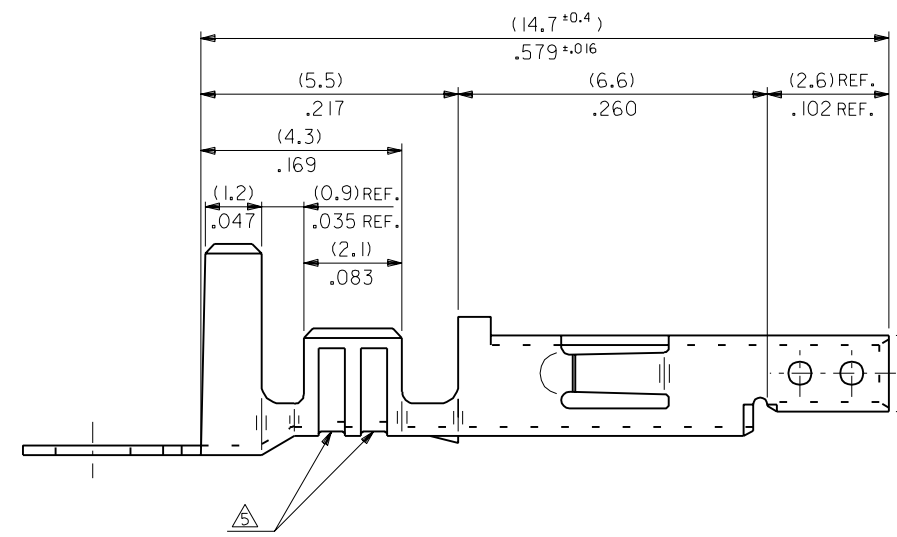
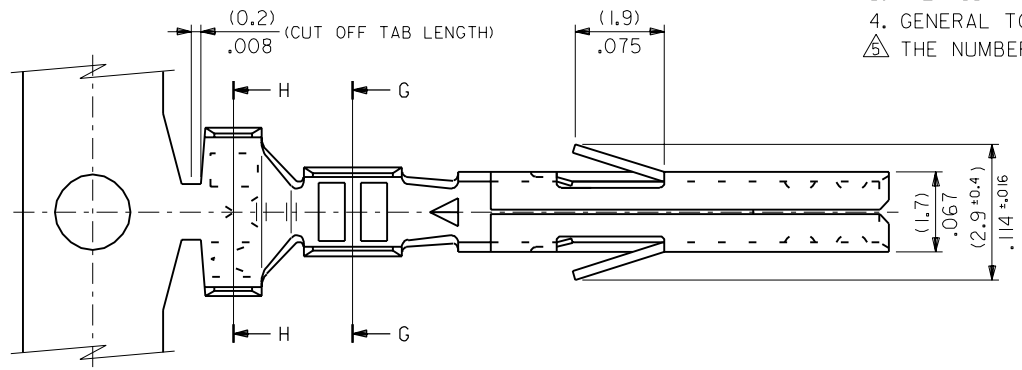
材料 MATERIAL		表参照		MOLDEX JAPAN CO., LTD. 日本モレックス株式会社	
仕上げ FINISH		—H—		EDP. NO. 39-00-00**	
適用電線範囲 WIRE RANGE		表参照		ENG. NO. SD-5556****	
被覆外径 INS. RANGE		表参照		REV G	
DRAWN BY '91/5/18 H.HIRAMOTO		CHK'D BY '98/11/9 K.I.S.KUNISHI		TITLE 名称 NEW MINI. FIT CONN. CRIMP RECEPTACLE	
APP'D BY '98/11/9 M.FUKUSHIMA		尺 度 SCALE 10 - 1			
角度 ANGLE ±3°		F 変更 (JC90279) Y.K '98/11/6			
30 以上 OVER ±0.3		E 変更 (JC90012) Y.K '98/7/6			
10 以上 30 未満 UNDER ±0.25		D 変更 & 再作図 (J10380) H.H '98/5/6			
10 未満 UNDER ±0.2		記号 LTR 変更内容 DR. CHK. 日付 DATE			
一般公差 GENERAL TOLERANCES		REVISE ONLY ON CAD SYSTEM			

THIS DRAWING CONTAINS INFORMATION THAT IS PROPRIETARY TO MOLEX(JAPAN) AND SHOULD NOT BE USED WITHOUT WRITTEN PERMISSION
本図面は日本モレックス(株)の所有する情報を含むもので 当社の許可なく複製を禁止する。

MXJ-8


5556.S21

- NOTES**
1. APPLICABLE HOUSING : 5557 SERIES.
 2. MATES WITH TERMINAL : 5558, 5566, 5569 SERIES.
 3. (METRIC) VALUES SHOWN GOVERN OVER ENGLISH CONVERSION VALUES.
 4. GENERAL TOLERANCES OF ENGLISH CONVERSION VALUES : ±.008 INCH.
- △ THE NUMBER OF SERRATIONS TO BE ONE FOR WIRE RANGE #22-28.



		材料 MATERIAL	SEE SHEET 2 OF 2	MOLEX-JAPAN CO.,LTD. 日本モレックス株式会社
		仕上げ FINISH	SEE SHEET 2 OF 2	
		J REVISED (JC90279)	Y.K. '98/11/6	EDP. NO. SEE SHEET 2 OF 2
		H REVISED (JC90012)	Y.K. S.K. '98/7/16	ENG. NO. SHEET 1 OF 2
		G REVISED (JC80619)	Y.K. S.K. '98/5/16	SD-5556*****
		F REVISED & REDRAWN (J1038D)	H.H. '91/6/25	J
角度 ANGLE	±3°	記号 LTR	変更内容 REVISION RECORD	TITLE 名称 NEW MINI. FIT CONN. CRIMP RECEPTACLE
30以上 OVER	+0.3	DR. DATE	日付	
10以上 30未滿 UNDER	+0.25	APP'D BY	尺 度	
10未滿 UNDER	+0.2	DR. DATE	尺 度	
一般公差 GENERAL TOLERANCES		REVISE ONLY ON CAD SYSTEM		SCALE 10 - 1

TIN OVER NICKEL PLATED PHOSPHOR BRONZE	(0.9) .035	(4.5) .177	(3.6) .142	(0.6) .024	(2.7) .106	(2.3) .091	∅ (3.1) MAX. .122	# 16	39-00-0119	5556 PBS3L	LOOSE
									▲ -0118	▲ PBS3	CHAIN
	(0.6) .024	(2.3) .091	(2.3) .091	(0.4) .016	(1.65) .065	(1.8) .071	∅ (0.9-1.8) .035-.071	#22-28	-0116	PBS2L	LOOSE
	(0.9) .035	(4.5) .177	(3.6) .142	(0.5) .020	(2.3) .091	(1.9) .075	∅ (1.3-3.1) .051-.122	# 18-24	-0115	PBSL	LOOSE
									-0114	PBS	CHAIN
TIN PLATED PHOSPHOR BRONZE	(0.9) .035	(4.5) .177	(3.6) .142	(0.6) .024	(2.7) .106	(2.3) .091	∅ (3.1) MAX. .122	# 16	-0080	PBT3L	LOOSE
									-0079	PBT3	CHAIN
	(0.6) .024	(2.3) .091	(2.3) .091	(0.4) .016	(1.65) .065	(1.8) .071	∅ (0.9-1.8) .035-.071	#22-28	-0066	PBT2L	LOOSE
	(0.9) .035	(4.5) .177	(3.6) .142	(0.5) .020	(2.3) .091	(1.9) .075	∅ (1.3-3.1) .051-.122	# 18-24	-0060	PBTL	LOOSE
									-0059	PBT	CHAIN
TIN OVER NICKEL PLATED BRASS	(0.9) .035	(4.5) .177	(3.6) .142	(0.6) .024	(2.7) .106	(2.3) .091	∅ (3.1) MAX. .122	# 16	-0113	S3L	LOOSE
									-0112	S3	CHAIN
	(0.6) .024	(2.3) .091	(2.3) .091	(0.4) .016	(1.65) .065	(1.8) .071	∅ (0.9-1.8) .035-.071	#22-28	-0111	S2L	LOOSE
	(0.9) .035	(4.5) .177	(3.6) .142	(0.5) .020	(2.3) .091	(1.9) .075	∅ (1.3-3.1) .051-.122	# 18-24	-0109	SL	LOOSE
									-0108	S	CHAIN
TIN OVER COPPER PLATED BRASS	(0.9) .035	(4.5) .177	(3.6) .142	(0.6) .024	(2.7) .106	(2.3) .091	∅ (3.1) MAX. .122	# 16	-0078	T3L	LOOSE
									-0077	T3	CHAIN
	(0.6) .024	(2.3) .091	(2.3) .091	(0.4) .016	(1.65) .065	(1.8) .071	∅ (0.9-1.8) .035-.071	#22-28	-0047	T2L	LOOSE
	(0.9) .035	(4.5) .177	(3.6) .142	(0.5) .020	(2.3) .091	(1.9) .075	∅ (1.3-3.1) .051-.122	# 18-24	-0046	T2	CHAIN
								▼ -0039	▼ TL	LOOSE	
									39-00-0038	5556 T	CHAIN
MATERIAL	F	E	D	C	B	A	INS. RANGE	WIRE RANGE	EDP NO.	ENG. NO.	FORM

材料 MATERIAL		SEE CHART	 MOLEX-JAPAN CO.,LTD. 日本モレックス株式会社
THICKNESS : (0.203)/.008			
J	SEE SHEET 1 OF 2	Y.K. S.K. '98/11/6	EDP. NO.
仕上げ FINISH		SEE CHART	SEE CHART
角度 ANGLE	±3°	H	適用電線範囲 WIRE RANGE
30°以上 OVER	±0.3	G	SEE CHART
10°以上 30°未滿 UNDER	±0.25	F	被覆外径 INS. RANGE
10°未滿 UNDER	±0.2	記号 LTR	SEE CHART
一般公差 GENERAL TOLERANCES		変更内容 REVISION RECORD	DR. CHK. DATE
REVISE ONLY ON CAD SYSTEM		DRAWN BY '91/5/18 H.HIRAMOTO CHK'D BY '98/11/9 K.T.S.KUNISHI APP'D BY '98/11/9 M.FUKUSHIMA 日付 DATE 尺度 SCALE 10 - 1	
		TITLE 名称 NEW MINI.FIT CONN. CRIMP RECEPTACLE	