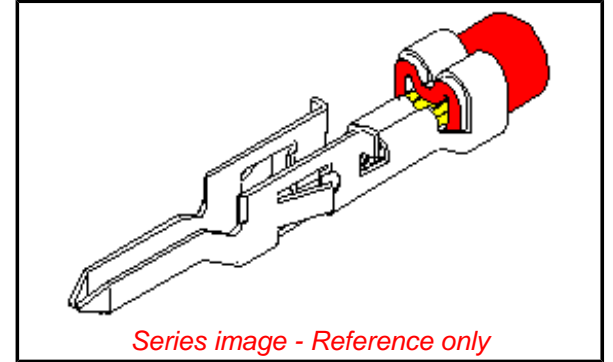


Part Number: [0039000041](#)

Status: **Active**

Description: 4.20mm (.165") Pitch Mini-Fit™ Crimp Terminal, Male, with Tin (Sn) over Copper (Cu) Plated Brass Contact, 18-24 AWG, Bag



Series image - Reference only

General

Product Family	Crimp Terminals
Series	5558
Product Name	Mini-Fit®

Physical

Durability (mating cycles) min	100 cycles
Gender	Male
Material - Metal	Brass
Material - Plating Mating	Tin
Material - Plating Termination	Tin
Packaging Type	Bag
Plating min: Mating (µin)	35
Plating min: Mating (µm)	0.88
Plating min: Termination (µin)	35
Plating min: Termination (µm)	0.88
Termination Interface: Style	Crimp or Compression
Wire Insulation Diameter	1.30-3.10mm (.051-.122")
Wire Size AWG	18
Wire Size AWG	20
Wire Size AWG	22
Wire Size AWG	24
Wire Size mm²	N/A

Electrical

Voltage - Maximum	600V
-------------------	------

Material Info

Old Part Number	5558TL
-----------------	--------

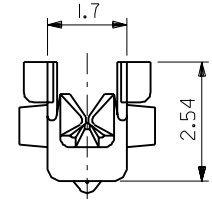
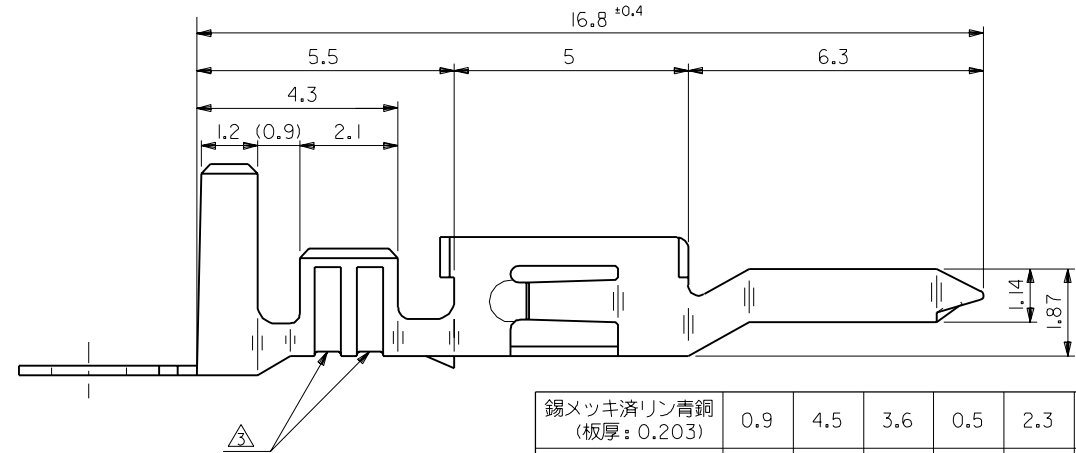
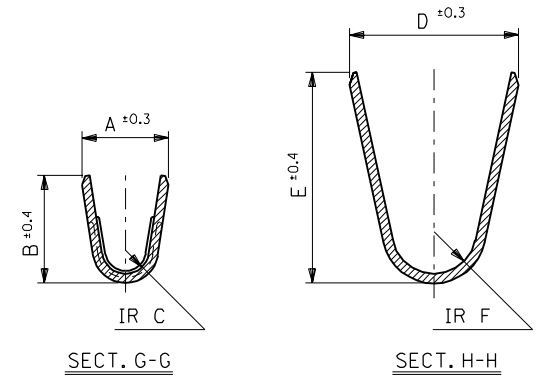
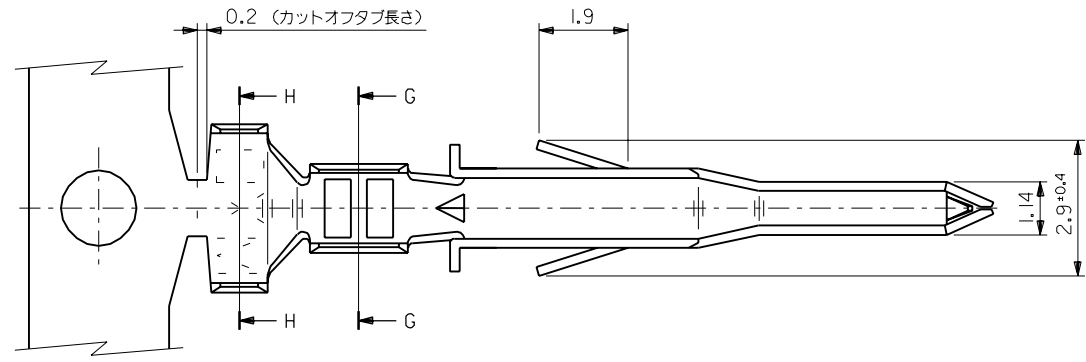
EU RoHS
ELV and RoHS
Compliant

China RoHS



EDP NO. 39-00-00** ENG. NO. SD-5558****

MM DIMENSIONS IN METRIC DO NOT SCALE DRAWING



錫メッキ済リン青銅 (板厚: 0.203)	0.9	4.5	3.6	0.5	2.3	1.9	∅ 1.3-3.1	#18-24	39-00-0062	5558 PBTL	バラ状
錫メッキ済黄銅 (板厚: 0.203)	0.6	2.3	2.3	0.4	1.65	1.8	∅ 0.9-1.8	#22-28	-0061	PBT	連鎖状
	0.9	4.5	3.6	0.5	2.3	1.9	∅ 1.3-3.1	#18-24	-0049	T2L	バラ状
									-0048	T2	連鎖状
39-00-0040	5558 T	バラ状									
材料	F	E	D	C	B	A	被覆外径	適用電線	EDP NO.	ENG. NO.	端子形状

注記

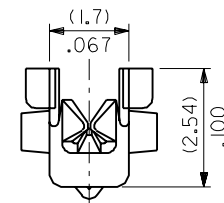
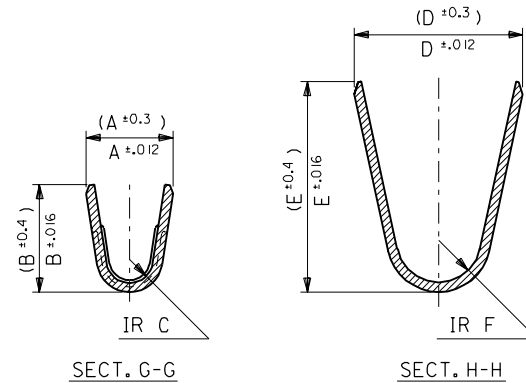
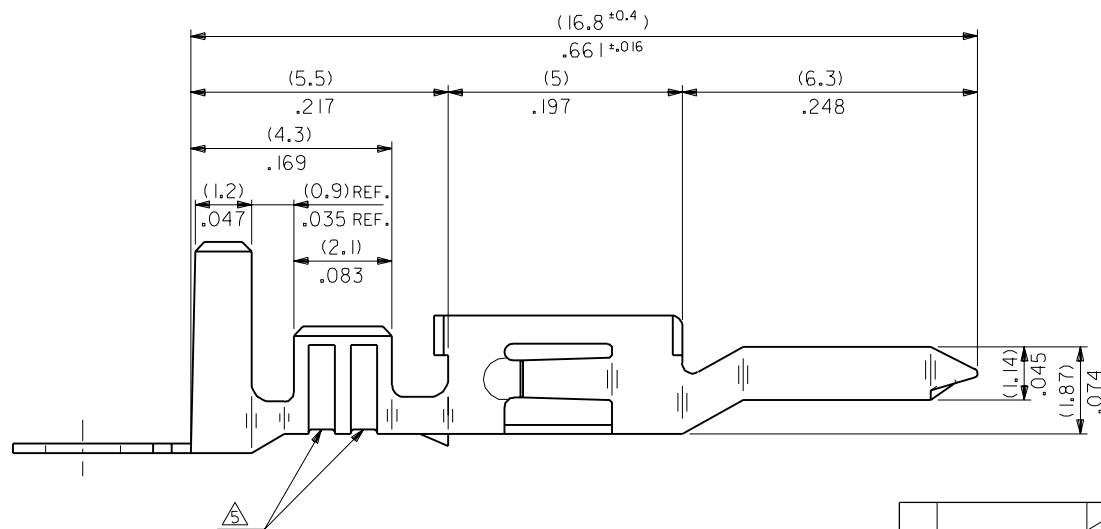
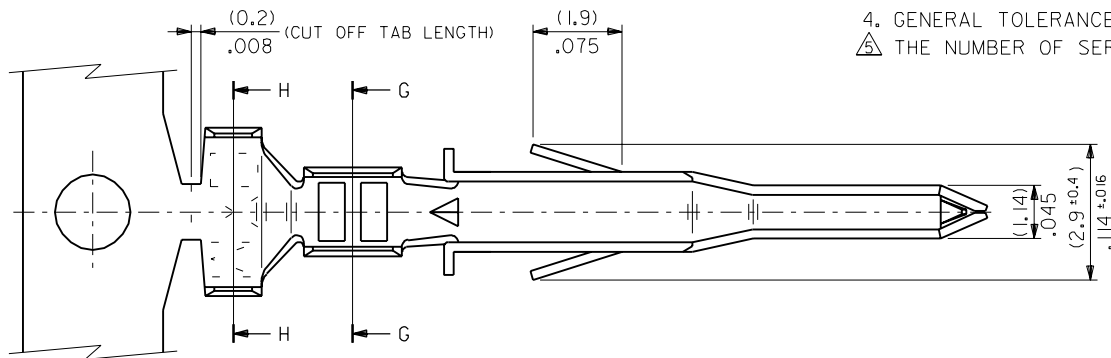
- 適合ハウジング : 5559 シリーズ
 - 嵌合相手 : 5556 シリーズ
- △ 適用電線が #22-28 の製品のセレーション数は 1 とする。

角度 ANGLE		±3°	F 変更 (JC80619)	Y.K S.K '98/5/6	仕上げ FINISH	—	材料 MATERIAL 表参照	MOLDEX MOLEX-JAPAN CO.,LTD. 日本モレックス株式会社
30 以上 OVER	±0.3	E 変更 (J10380)	H.H S.K '91/5/21	適用電線範囲 WIRE RANGE	表参照	EDP. NO. 39-00-00**		
10 以上 30 未満 OVER UNDER	±0.25	D 変更&再作図 (J10267)	H.H Y.y '91/4/12	被覆外径 INS. RANGE	表参照	ENG. NO. SD-5558****	REV G	
10 未満 UNDER	±0.2	記号 LTR	変更内容 REVISION RECORD	DR. CHK. 日付 DATE	DRAWN BY '91/4/5 H.HIRAMOTO	TITLE 名称 NEW MINI. FIT CONN. CRIMP PIN		
一般公差 GENERAL TOLERANCES		REVISE ONLY ON CAD SYSTEM			APP'D BY '98/7/7 M.FUKUSHIMA	尺度 SCALE 10 - 1		

THIS DRAWING CONTAINS INFORMATION THAT IS PROPRIETARY TO MOLEX(JAPAN) AND SHOULD NOT BE USED WITHOUT WRITTEN PERMISSION
本図面は日本モレックス(株)の所有する情報を含むもので 当社の許可なく複製を禁止する。

NOTES

1. APPLICABLE HOUSING : 5559 SERIES
 2. MATES WITH TERMINAL : 5556 SERIES
 3. (METRIC) VALUES SHOWN GOVERN OVER ENGLISH CONVERSION VALUES.
 4. GENERAL TOLERANCES OF ENGLISH CONVERSION VALUES : ±.008 INCH
- △ THE NUMBER OF SERRATIONS TO BE ONE FOR WIRE RANGE #22-28.



		材料 MATERIAL		SEE SHEET 2 OF 2	MOLEX-JAPAN CO.,LTD. 日本モレックス株式会社
K	REVISED (JC90012)	Y.K S.K	98/7/6	仕上げ FINISH	
J	REVISED (JC80619)	Y.K S.K	98/5/6	適用電線範囲 WIRE RANGE	SEE SHEET 2 OF 2
H	REVISED (J20428)	H.H Y.Y	92/5/20	被覆外径 INS. RANGE	SEE SHEET 2 OF 2
G	REVISED (J10381)	H.H Y.Y	91/6/25	DRAWN BY 91/3/12 H.HIRAMOTO	CHK'D BY 98/7/7 K.T.S.KUNISHI
F	REVISED & REDRAWN (J10202)	H.H Y.Y	91/4/27	APP'D BY 98/7/7 M.FUKUSHIMA	尺度 SCALE 10 - 1
角度 ANGLE ±3° 30以上 OVER ±0.3 10以上 30未滿 UNDER ±0.25 10未滿 UNDER ±0.2 一般公差 GENERAL TOLERANCES		記号 LTR 変更内容 REVISION RECORD DR. CHK. 日付 DATE		REVISE ONLY ON CAD SYSTEM	

EDP. NO. SEE SHEET 2 OF 2
 ENG. NO. SHEET 1 OF 2
 SD-5558*****
 TITLE 名称 NEW MINI. FIT CONN. CRIMP PIN

TIN PLATED PHOSPHOR BRONZE	(0.9) .035	(4.5) .177	(3.6) .142	(0.6) .024	(2.7) .106	(2.3) .091	∅ (3.1) .122 MAX.	# 16	39-00-0084	5558 PBT3L	LOOSE
	(0.6) .024	(2.3) .091	(2.3) .091	(0.4) .016	(1.65) .065	(1.8) .071	∅ (0.9-1.8) .035-.071	#22-28	-0083	PBT3	CHAIN
	(0.9) .035	(4.5) .177	(3.6) .142	(0.5) .020	(2.3) .091	(1.9) .075	∅ (1.3-3.1) .051-.122	# 18-24	-0068	PBT2L	LOOSE
TIN OVER COPPER PLATED BRASS	(0.9) .035	(4.5) .177	(3.6) .142	(0.6) .024	(2.7) .106	(2.3) .091	∅ (3.1) .122 MAX.	# 16	-0067	PBT2	CHAIN
	(0.6) .024	(2.3) .091	(2.3) .091	(0.4) .016	(1.65) .065	(1.8) .071	∅ (0.9-1.8) .035-.071	#22-28	-0062	PBTL	LOOSE
	(0.9) .035	(4.5) .177	(3.6) .142	(0.5) .020	(2.3) .091	(1.9) .075	∅ (1.3-3.1) .051-.122	# 18-24	-0061	PBT	CHAIN
MATERIAL	F	E	D	C	B	A	INS. RANGE	WIRE RANGE	EDP NO.	ENG. NO.	FORM

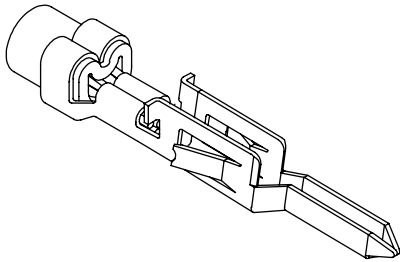
材料 MATERIAL		SEE CHART	MOLEX-JAPAN CO.,LTD. 日本モレックス株式会社
THICKNESS : (0.203)/.008			
仕上げ FINISH		SEE CHART	EDP. NO.
適用電線範囲 WIRE RANGE		SEE CHART	SEE CHART
被覆外径 INS. RANGE		SEE CHART	ENG. NO. SHEET 2 OF 2 REV
DRAWN BY '91/3/R H.HIRAMOTO		CHK'D BY '98/7/7 K.T.S.KUNISHI	SD-5558***** K
APP'D BY '98/7/7 M.FUKUSHIMA		尺度 SCALE 10 - 1	

角度 ANGLE	±3°	H	SEE SHEET 1 OF 2	H.H Y.Y	'92/5/20
30以上 OVER	+0.3	G	SEE SHEET 1 OF 2	H.H Y.Y	'91/6/25
10以上 30未滿 UNDER	+0.25	F	SEE SHEET 1 OF 2	H.H Y.Y	'91/4/27
10未滿 UNDER	+0.2			H.H Y.Y	
一般公差 GENERAL TOLERANCES					

REVISION RECORD
 記号 LTR 変更内容 DR. CHK. 日付 DATE

4.20mm (.165") Pitch Mini-Fit Plus™ Terminal

46134
Crimp, Male



Features and Benefits

- Post-plated contacts for superior electrical performance over time
- Locking tangs assure high contact retention to the housing

Reference Information

Packaging: Reel or bag
Use With: 5559, 42475 and 30068 housings

Electrical

Voltage: 600V
Current: When mating 2-circuit connectors

	16 AWG	18 AWG	20 AWG	22 AWG	24 AWG
Brass	9.0A	9.0A	7.0A	5.0A	4.0A
Phosphor Bronze	8.0A	8.0A	6.0A	4.0A	3.0A

Contact Resistance: 10 milliohms max.
Dielectric Withstanding Voltage: 1500V
Insulation Resistance: 1000 Megohms min.

Mechanical

Contact Insertion Force: 1.5kg max.
Contact Retention to Housing: 3.0kg min.
Wire Pull-Out Force: 9.0kg min.
Durability: Tin—75 cycles
Gold—100 cycles

Physical

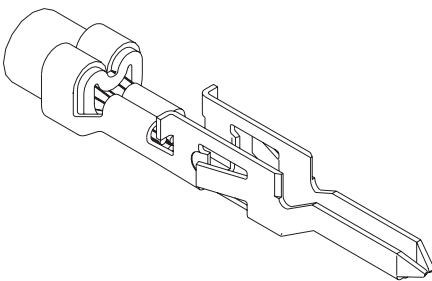
Contact: Brass or Phosphor Bronze
Plating: Tin or Select Gold
Underplating: Nickel
Operating Temperature: -40 to +105°C

Power Connectors

Base Material	Plating	Insulation Range	Wire Range AWG	Reel	Bag	Lead-free
Brass	Tin	2.20-3.15mm	16	46134-3111	46134-3112	Yes
		1.65-2.95mm	18-20	46134-1111	46134-1112	
		1.20-1.80mm	22-24	46134-2111	46134-2112	
	Select Gold	2.20-3.15mm	16	46134-3211	46134-3212	
		1.65-2.95mm	18-20	46134-1211	46134-1212	
		1.20-1.80mm	22-24	46134-2211	46134-2212	
Phosphor Bronze	Tin	2.20-3.15mm	16	46134-3121	46134-3122	
		1.65-2.95mm	18-20	46134-1121	46134-1122	
		1.20-1.80mm	22-24	46134-2121	46134-2122	
	Select Gold	2.20-3.15mm	16	46134-3221	46134-3222	
		1.65-2.95mm	18-20	46134-1221	46134-1222	
		1.20-1.80mm	22-24	46134-2221	46134-2222	

4.20mm (.165") Pitch Mini-Fit® Family Terminal

5558
Crimp, Male



Features and Benefits

- Four gas-tight points of contact on Tin-plated contacts

Reference Information

Packaging: Reel or bag
Use With: 5559, 42475 and 30068 housings
Designed In: Millimeters

Electrical

Voltage: 600V
Current: 16 AWG—9.0A max.
Contact Resistance: 10 milliohms max.
Dielectric Withstanding Voltage: 1500V
Insulation Resistance: 1000 Megohms min.

Mechanical

Contact Insertion Force: 1.5kg max.
Contact Retention to Housing: 3.0kg min.
Wire Pull-Out Force: 9.0kg min.
Durability: 30 cycles

Physical

Contact: Brass or Phosphor Bronze
Plating: Pre-plated Tin
Underplating: Copper
Operating Temperature: -40 to +105°C

Contact Material	Wire Size (AWG)	Order No.		Lead-free
		Reel	Bag	
Brass	16	39-00-0081	39-00-0082	Yes
	18-24	39-00-0040	39-00-0041	
Phosphor Bronze	16	39-00-0083	39-00-0084	
	18-24	39-00-0061	39-00-0062	