



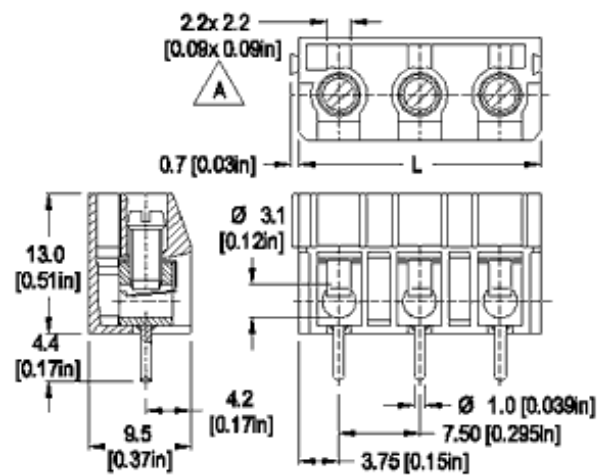
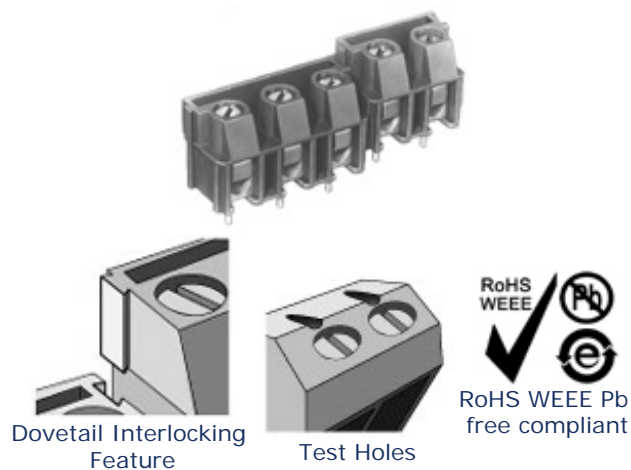
## Screw Connectors for Printed Circuit Boards

### TYPE 977-T (-DS)

7.5 mm spacing - 2 and 3 poles

[Distributor Stock Check](#)

<a href="#">Series</a>	<a href="#">Download PDF</a>	<a href="#">3D Model</a>	<a href="#">Can plug with</a>	<a href="#">How to order</a>	<a href="#">Color specifications</a>	<a href="#">Print</a>
------------------------	------------------------------	--------------------------	-------------------------------	------------------------------	--------------------------------------	-----------------------



Dimensions: mm (in.)

Length of Connector (L)

L = No. of Poles x Center to Center Spacing

(A) Test hole

**When locating connector, allow 0.5 mm clearance around it for process-induced variations.**

### Description

- Dovetail version
- Wire entrance parallel to PC Board
- With test holes
- Can be factory, field or distributor assembled to almost any length

### Technical Data

**Center to Center Spacing:** 7.5 mm (0.295 in.)

**Nominal Cross Section:**

2.5 mm<sup>2</sup> (3874 mils<sup>2</sup>)

**Wire Stripping Length:** 7 mm (0.28 in.)

**Recommended Hole Diameter in PC Board:**

1.3 mm (0.051 in.)

### Approval Information

UL File No.E69841

CSA File No.LR24322

Rating	Current(A)	Voltage(V)	Application group	AWG
UL	15	300	B,C	26-12
CSA	15	300	B,D,E	22-10

\* Version DS is CSA certified for 26-10 AWG.

UL: 24-26 AWG range for factory wiring only.

### Screw Tightening Torque:

UL: 4.5 lbf·in

CSA: 0.51 Nm

### International Approvals:



**Rated Impulse Withstand Voltage: 6000 V**

## Material

**Molding:** Polyamide, self extinguishing UL 94, V-0, color grey

**Temperature limits:**

**Short Time:** 140°C (284°F)

**Continuous:** RTI 105°C (221°F)

**Low Limit:** -40°C (-40°F)

**Comparative Tracking Index:** CTI > 600

**Oxygen Index Rating:** 32%

**Terminal Body:** Tin plated copper alloy

**Wire Protector:** Tin plated copper alloy

**Screw:** M3, Slotted head, zinc plated blue passivated, steel substrate

**Solder Pin:** Ø 1.0 mm (0.04 in.), Tin plated copper alloy

  
Top of page

## How to order

**Item** 977-T (-DS)

### Options

CN: Consecutive Numbering (hot stamped numbers)

SM: Special Marking (please provide sketch)

PS: Clear Chromate Passivated, zinc plated, Steel Screws

G05: Gold Plating (5 micro inches)

G30: Gold Plating (30 micro inches)

S30: Silver Plating (30 micro inches)

XXMM: Longer solder Pins up to 75 mm (3 in.)

Protruding length of pins, in millimeters:

BS: Copper Alloy Screw

**Note:** Plated component: terminal body

WIRE PROTECTOR:  
with: - DS

POLES:  
02 and 03

977-T

/

[Request sample](#)

[Request quote](#)

Quantity

### Accessories

[BST Self Adhesive Marking Strips.](#)

[Consecutively numbered.](#)

[Add to shopping cart](#)