

Switch Language

English

Need Assistance?

- Contact Us
- Find a Distributor
- Order Samples
- Tech Library

Printer-friendly page

Email this page

[Home](#) [Datasheet](#)

**Part Number:** 0380020331

**Status:** Active

**Description:** JTERM HOLE NI -1831

**Documents:**

*Note - Please disable browser pop-up blockers for documents on www.molex.com*

[Drawing \(PDF\)](#)

**Order Products:**

[Check Distributor Inventory](#)  [Add to My Parts](#)

**Part Detail:** [\(show all\)](#)

**Material Info**

Product Family	Molex Parts
Series	<a href="#">38002</a>

**Material Info**

Old Part Number	1831
-----------------	------



**EU RoHS**

**ELV and RoHS Compliant**

**China RoHS**



**Need more information on product compliance?**

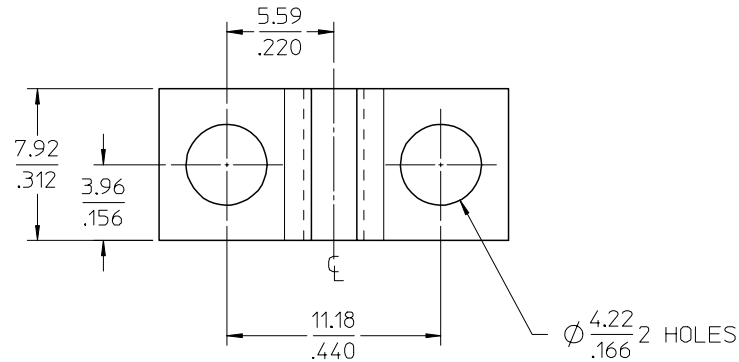
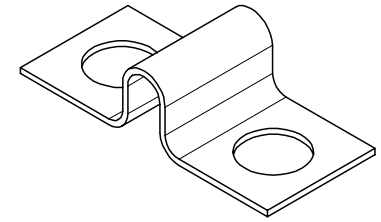
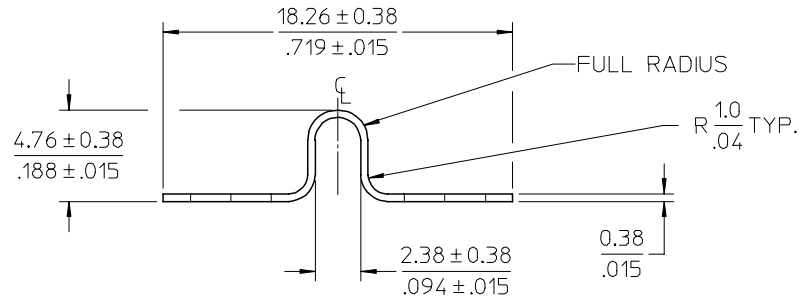
Email [productcompliance@molex.com](mailto:productcompliance@molex.com)

Please visit the [Contact Us](#) section for any non-product compliance questions.

Lead-free Process Capability	Wave Capable (TH only)
------------------------------	------------------------

**Search Parts in this Series**

[38002](#) Series



NOTES:

1. MATERIAL: BRASS
2. FINISH: NICKEL PLATE.
3. ALL COMPONENTS ARE ROHS COMPLIANT.

INITIAL RELEASE EC NO: ETC2006-0450 DRWN: CYORK 2006/05/23 CHKD: JMACNEIL 2006/05/24 APPR: RDEROSS 2006/05/24	QUALITY SYMBOLS ▽=0 ▽=0	GENERAL TOLERANCES (UNLESS SPECIFIED)		DIMENSION STYLE	SCALE	DESIGN UNITS	THIRD ANGLE PROJECTION		
			mm	INCH	MM/IN	4:1	INCH		
		4 PLACES	± ---	± ---	DRAWN BY	DATE	TITLE		
		3 PLACES	± ---	± .005	C. YORK	2006/05/17	JUMPER TERMINAL, HOLE TYPE (CAT# 1831)		
2 PLACES	± 0.13	± .01	CHECKED BY	DATE	MATERIAL NO.				
1 PLACE	± 0.25	± ---	J. MACNEIL	2006/05/17	380020331				
ANGULAR ± 2 °		APPROVED BY		DATE	DOCUMENT NO.				
		R. DEROSS		2006/05/17	SD-38002-047				
DRAFT WHERE APPLICABLE MUST REMAIN WITHIN DIMENSIONS		SIZE	THIS DRAWING CONTAINS INFORMATION THAT IS PROPRIETARY TO MOLEX INCORPORATED AND SHOULD NOT BE USED WITHOUT WRITTEN PERMISSION						
		B							
				SHEET NO.		1 OF 1			