

Switch Language

English

Need Assistance?

- Contact Us
- Find a Distributor
- Order Samples
- Tech Library

Printer-friendly page

Email this page

[Home](#) [Datasheet](#)

Part Number: 0380020157

Status: Active

Description: SOLDER TAB DBL END 2 HOLE TIN PLTD

Documents:

Note - Please disable browser pop-up blockers for documents on www.molex.com

[Drawing \(PDF\)](#)

Order Products:

[Check Distributor Inventory](#) [Add to My Parts](#)

Part Detail: [\(show all\)](#)

Material Info

Product Family	Molex Parts
Series	38002

Material Info

Old Part Number	142
-----------------	-----



EU RoHS

ELV and RoHS Compliant

China RoHS



Need more information on product compliance?

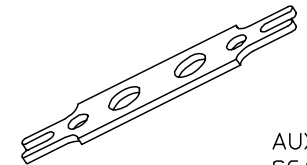
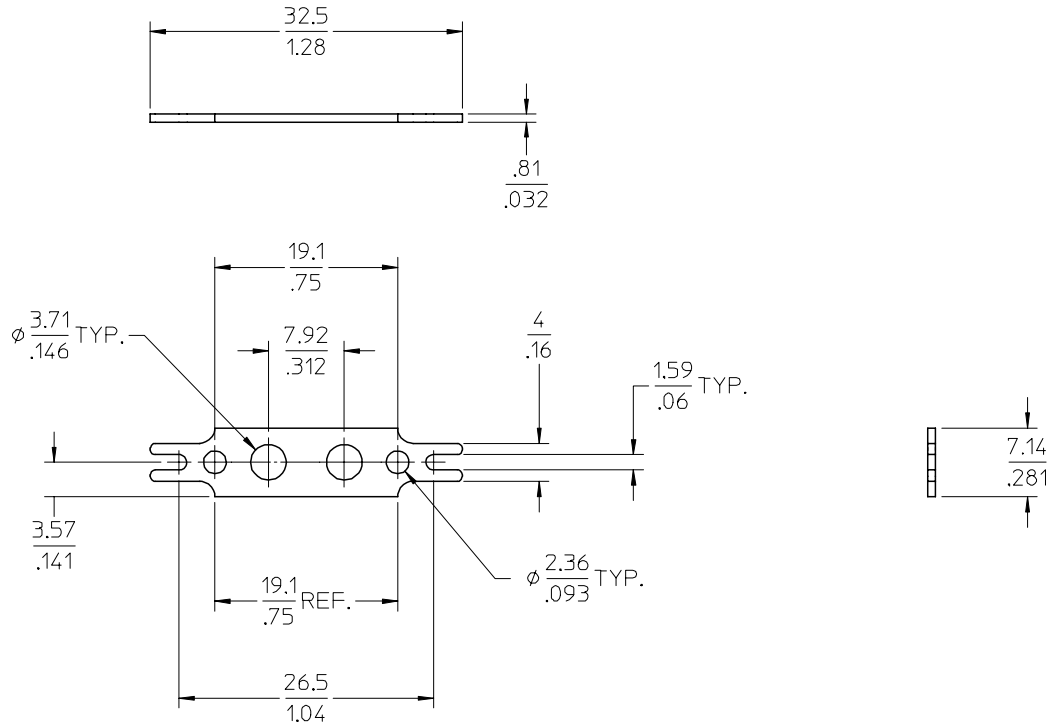
Email productcompliance@molex.com

Please visit the [Contact Us](#) section for any non-product compliance questions.

Lead-free Process Capability	Wave Capable (TH only)
------------------------------	------------------------

Search Parts in this Series

[38002](#) Series



AUX.VIEW
SCALE: 2X

NOTES:

1. MATERIAL: SEE TABLE
2. FINISHES: SEE TABLE
3. PRODUCT SPECIFICATION: NOT REQUIRED
4. MATES WITH: NONE

1	1	TERMINAL	BRASS	TIN PLATED
ITEM	QTY.	DESCRIPTION	MATERIAL	FINISH

tb_frame_B
rev. B1 2000/08/01

EC NO: NEO2004-0507
 DRWN:RSTONE 2004/02/03
 CHKD:RK 2004/02/10
 APPR: GROBERT S2004/02/16

REV	DESCRIPTION
A	

QUALITY SYMBOLS	GENERAL TOLERANCES (UNLESS SPECIFIED)	
	mm	INCH
▽ = 0	4 PLACES ± ---	±.0015
	3 PLACES ± 0.038	±.005
	2 PLACES ± 0.13	±.010
	1 PLACE ± 0.3	± ---
∇ = 0	ANGULAR ±1/2°	
	DRAFT WHERE APPLICABLE	
	MUST REMAIN WITHIN DIMENSIONS	

SCALE 2:1	DESIGN UNITS INCH
DIMENSION STYLE MM/IN	
DRAWN BY R.STONE	DATE 08-19-03
CHECKED BY RK	DATE 2-5-04
APPROVED BY G.ROBERT	DATE 2-26-04

THIRD ANGLE PROJECTION	REVISE ON CAD ONLY
TITLE TERMINAL,SOLDER, W CAT.# 142	
MOLEX INCORPORATED	
MATERIAL NO. 380020157	DOCUMENT NO. SD-38002-004
SHEET NO. 1 OF 1	
THIS DRAWING CONTAINS INFORMATION THAT IS PROPRIETARY TO MOLEX INCORPORATED AND SHOULD NOT BE USED WITHOUT WRITTEN PERMISSION	

B