

Switch Language

English

Need Assistance?

- Contact Us
- Find a Distributor
- Order Samples
- Tech Library

[Printer-friendly page](#)

[Email this page](#)

[Home](#)   [I/O Connectors](#)   [Datasheet](#)

**Part Number: 0743232051**

**Status: Active**

**Description:** MicroCross™ DVI Digital Single Link, High Volume Plug Connector Sub- assembly, ESD Type, Gold (Au) Flash, Vertical, with key, 18 Circuits, Lead Free

**Documents:**

*Note - Please disable browser pop-up blockers for documents on www.molex.com*

[Drawing \(PDF\)](#)

[Product Specification PS-74320-001 \(PDF\)](#)

[Related Catalog Page \(PDF\)](#)

**Order Products:**

[Check Distributor Inventory](#)

[Add to My Parts](#)

[Request Samples](#)

**Part Detail: [\(show all\)](#)**

[General](#)   [Physical](#)   [Electrical](#)   [Material Info](#)

**General**

Product Family	I/O Connectors
Series	<a href="#">74323</a>
Application	Wire-to-Board
Comments	DDWG (Digital Display Working Group) Standard
Component Type	I/O Plug Connector Subassembly
Product Name	MicroCross™ DVI
Type	N/A

**Physical**

Boot Color	N/A
Circuits (Loaded)	18
Circuits (maximum)	24
Circuits Detail	Circuits 1-3, 6-8, 9-11, 14-16, 17-19, 22-24 are loaded; with key
Color - Resin	Black
Durability (mating cycles) min	100 cycles
Flammability	94V-0
Keying to mating part	Yes
Lock to Mating Part	Yes
Material - Metal	Copper Alloy
Material - Plating Mating	Gold
Material - Plating Termination	Tin
Material - Resin	High Temperature Thermoplastic
Number of Rows	3
Orientation	Vertical
PCB Retention	None
Packaging Type	Tray
Panel Mount	N/A
Pitch - Mating Interface (in)	0.075 In
Pitch - Mating Interface (in)	0.100 In
Pitch - Mating Interface (mm)	1.90 mm



**EU RoHS**

**ELV and RoHS Compliant**

**China RoHS**



**Need more information on product compliance?**

Email [productcompliance@molex.com](mailto:productcompliance@molex.com)

Please visit the [Contact Us](#) section for any non-product compliance questions.

**Search Parts in this Series**

[74323](#) Series

**Mates With**

Other receptacle components, [74320](#) DVI Receptacle, [67351](#) DVI Receptacle

Pitch - Mating Interface (mm)	2.54 mm
Pitch - Term. Interface (in)	0.075 In
Pitch - Term. Interface (in)	0.100 In
Pitch - Term. Interface (mm)	1.90 mm
Pitch - Term. Interface (mm)	2.54 mm
Plating min: Mating (uin)	10
Plating min: Mating (um)	0.25
Plating min: Termination (uin)	150
Plating min: Termination (um)	3.80
Polarized to Mating Part	Yes
Polarized to PCB	Yes
Ports	1
Temperature Range - Operating	-20°C to +85°C
Termination Interface: Style	Solder or Weld
Waterproof / Dustproof	No
Wire Size AWG	N/A

**Electrical**

CSA	LR19980
Current - Maximum	3.000 Amp
Grounding to Panel	Yes
Shield Type	Full Shield
Shielded	Yes
UL	E29179
Voltage - Maximum	40V AC (RMS)

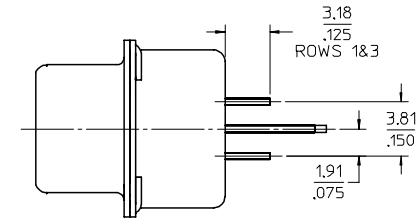
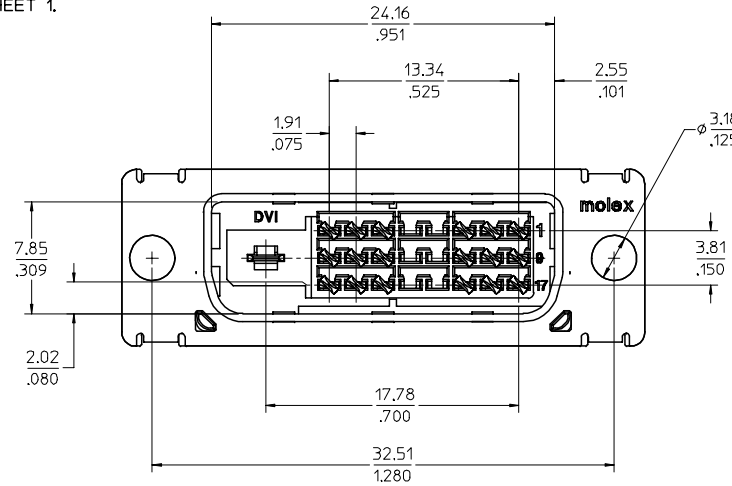
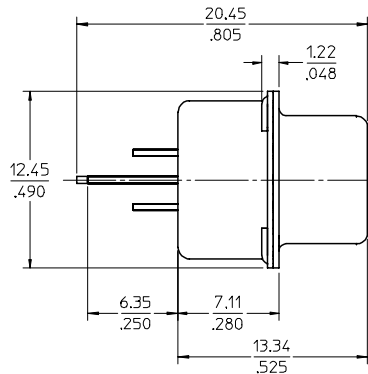
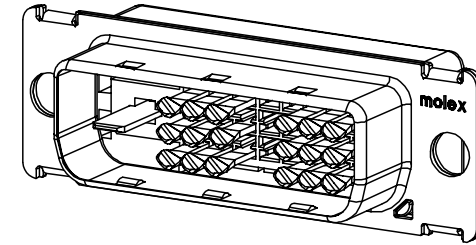
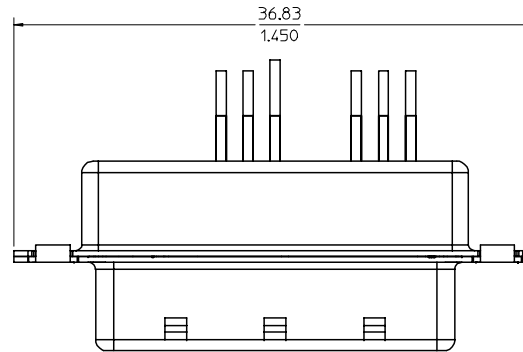
**Material Info**

**Reference - Drawing Numbers**

Product Specification	PS-74320-001
Sales Drawing	SD-74323-006

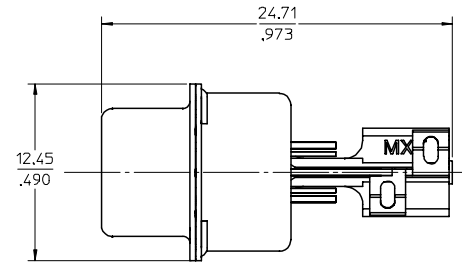
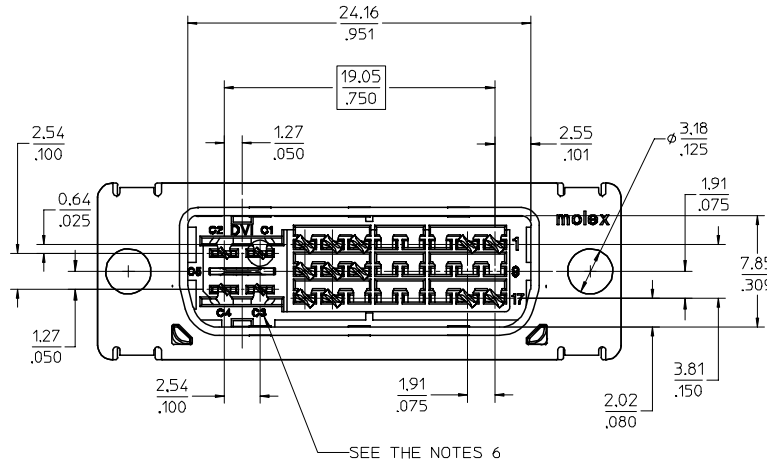
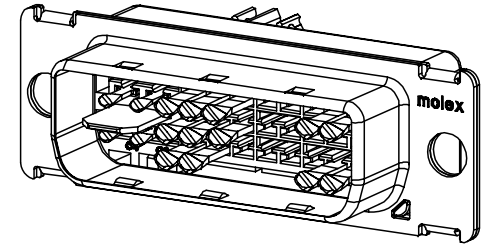
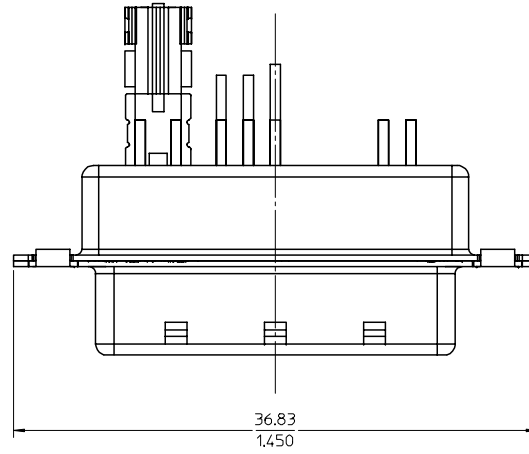
NOTES:

- MATERIALS: HOUSING: HIGH TEMPERATURE PLASTIC  
UL 94V-0, COLOR: BLACK  
TERMINAL: COPPER ALLOY  
SHIELD: STEEL ALLOY
- FINISH: TERMINAL: SEE THE CHART FOR GOLD PLATING OVER 1.27 MICROMETER (50 μ') NICKEL IN CONTACT AREA AND 3.81 MICROMETER (150 μ') PURE TIN OVER 1.27 MICROMETER (50 μ') NICKEL AT SOLDERING AREA.  
SHIELD: 3.81 MICROMETER (150 μ') BRIGHT TIN OVER 1.27 MICROMETER (50 μ') NICKEL OVERALL.
- PRODUCT SPECIFICATION: PS-74320-001 .
- PACKAGING: PARTS ARE TO BE PACKAGED 40 PCS PER TRAY.
- THE LOADED CIRCUITS SEE THE CHART.
- THE TEXTS ARE SHOWN FOR REFERENCE ONLY.
- THE DIMENSION SHOWN ON SHEET 1 REFLECT THE DVI-D SINGLE AND DUAL LINK SUB-ASSEMBLY.  
THE DIMENSION SHOWN ON SHEET 2 REFLECT THE DVI-A AND DVI-I SUB-ASSEMBLY, FOR ALL OTHER DIMENSIONS REFER TO SHEET 1.



LEAD-FREE EC NO: SH2005-0067 DRWN: DXUE 2004/09/02 CHK: YTYA004/09/03 APPR: JZHOU	DESCRIPTION	QUALITY SYMBOLS	GENERAL TOLERANCES (UNLESS SPECIFIED)		SCALE 4:1	DESIGN UNITS INCH	THIRD ANGLE PROJECTION	REVISE ON CAD ONLY		
		▽ - 0 ◻ - 0	mm	INCH	DIMENSION STYLE IN/MM		DVI HIGH VOLUME PLUG CONNECTOR SUB-ASSEMBLY FOR ESD TYPE			
			4 PLACES ± --- ± ---	3 PLACES ± --- ± .010	DRAWN BY GRACE	DATE 00/08/09				
			2 PLACES ± 0.25 ± ---	1 PLACE ± --- ± ---	CHECKED BY JASON	DATE 00/08/21				
DRAFT WHERE APPLICABLE MUST REMAIN WITHIN DIMENSIONS			APPROVED BY MEGA	DATE	MATERIAL NO. SEE CHART	DOCUMENT NO. SD-74323-006	SHEET NO. 1 OF 2			
THIS DRAWING CONTAINS INFORMATION THAT IS PROPRIETARY TO MOLEX INCORPORATED AND SHOULD NOT BE USED WITHOUT WRITTEN PERMISSION										

PART NUMBER	DESCRIPTION	LOADED CIRCUITS REF.
74323-2051	DVI-D Au FLASH SINGLE LINK	1-3,6-8,9-11,14-16,17-19,22-24, WITH KEY
74323-2052	DVI-D 30 u' Au SINGLE LINK	
74323-2053	DVI-D Au FLASH DUAL LINK	1-24, WITH KEY
74323-2054	DVI-D 30 u' Au DUAL LINK	
74323-2061	DVI-A Au FLASH	1-2,6-8,14-16,17-18,23-24, C1,C2,C3,C4,C5
74323-2062	DVI-A 30 u' Au	
74323-2071	DVI-I Au FLASH SINGLE LINK	1-3,6-8,9-11,14-16,17-19,22-24, C1,C2,C3,C4,C5
74323-2072	DVI-I 30 u' Au SINGLE LINK	
74323-2073	DVI-I Au FLASH DUAL LINK	1-24, C1,C2,C3,C4,C5
74323-2074	DVI-I 30 u' Au DUAL LINK	



SEE THE NOTES 6

LEAD-FREE EC NO.: SH2005-0067 DRWN: DXUE 2004/09/02 CHK: YTY 2004/09/03 APPR: JZHOU	QUALITY SYMBOLS ▽ - 0 ◻ - 0	GENERAL TOLERANCES (UNLESS SPECIFIED) mm INCH 4 PLACES ± --- ± --- 3 PLACES ± --- ± .010 2 PLACES ± 0.25 ± --- 1 PLACE ± --- ± --- ANGULAR ± 1 °	SCALE 4:1 DESIGN UNITS INCH DIMENSION STYLE IN/MM DRAWN BY DATE GRACE 00/08/09 CHECKED BY DATE JASON 00/08/21 APPROVED BY DATE MEGA 00/08/21	THIRD ANGLE PROJECTION REVISE ON CAD ONLY
	DRAFT WHERE APPLICABLE MUST REMAIN WITHIN DIMENSIONS			MOLEX INCORPORATED
	MATERIAL NO. SEE CHART		DOCUMENT NO. SD-74323-006	SHEET NO. 2 OF 2
	THIS DRAWING CONTAINS INFORMATION THAT IS PROPRIETARY TO MOLEX INCORPORATED AND SHOULD NOT BE USED WITHOUT WRITTEN PERMISSION			