

▼ Solutions for Electronic Specialty Markets (ESM)

▼ Product Catalog for Electronic Specialty Markets

- 3M™ Electronic Specialty Markets - New Product Releases
- 3M™ Abrasives
- 3M™ Adhesives, Cleaners & Compounds
- 3M™ Breadboards & Test Clips
- 3M™ Cable & Assemblies
- 3M™ Copper Interconnects
- 3M™ Fiber Optics
- 3M™ Fire Protection
- 3M™ Heat Shrink
- 3M™ Identification Systems
- 3M™ Occupational Health & Safety Products
- 3M™ Protective Bumpers
- 3M™ Reclosable Fasteners
- 3M™ Splicing, Terminating & Ducting
- 3M™ Static Control
- 3M™ Tapes
- 3M™ Terminals, Kits & Tools
- 3M™ Vacuums & Accessories
- 3M™ Warehousing & Packaging Supplies
- 3M™ Wire Connectors

[Product Catalog for Electronic Specialty Markets](#) > [3M™ Copper Interconnects](#) > [Plugs](#) > [Plug Connector, .100 in x .100 in, 10 to 64 Position](#) >

[Printer-friendly format](#) **3M™ .100 in. Wiremount Plug, .100" x .100", 10 Contacts, Open End, 4610-6050**



[\[click to enlarge\]](#)

No ejector/latch system, Polarization for notch B, Mounting flange body style. Available option is 3448 Strain Relief ordered separately.

GTIN(UPC/EAN) : 0 00 54007 20493 0
3M Id : 80-6101-7049-2

Additional Information

Learn More . . .

[Packaging Data](#)

[3M™ .100 in. Wiremount Plug, .100" x .100", 4600 Series, TS0086 - Data Sheet \(PDF 248.9 K\)](#)

[46XX Series Plug Connectors-Tooling & Accessories - Mating Tables \(PDF 12.0 K\)](#)

[4610-6050, 3D IGES, rev. 01 - 3D Models \(ZIP 194.9 K\)](#)

[4610-6050, 3D Parasolid, rev. 01 - 3D Models \(ZIP 163.6 K\)](#)

[4610-6050, 3D Step, rev. 01 - 3D Models \(ZIP 102.5 K\)](#)

Please Note:

Adobe® Acrobat® Reader is required to view PDF documents.



Characteristics

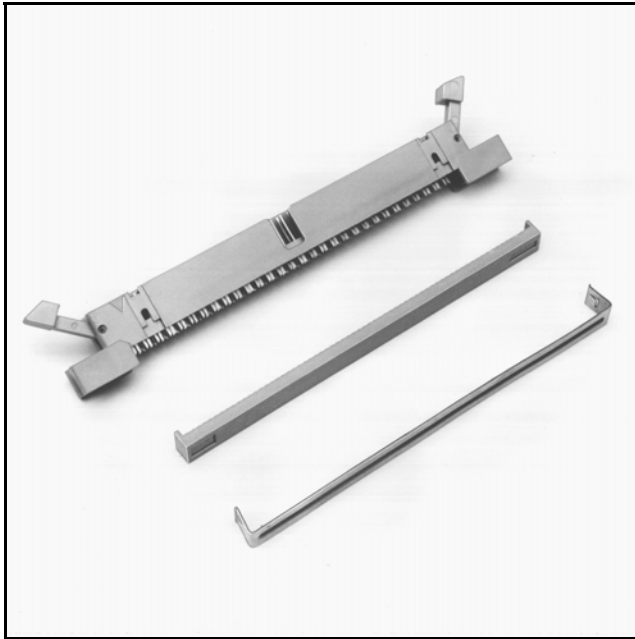
China RoHS - Below MCV	Yes
Conductor Accommodation	26 & 28 AWG Solid or Stranded
Contact Material	Copper Alloy
Contact Termination Area Plating	None
Contact Underplating	100 μ" [2.54 μm] Nickel
Contact Wiping Area Plating	30 μ" [0.76 μm] Gold
Current Rating	1 Ampere
EPC Can View	Public

EU RoHS Compliant	Yes
Insulation Color	Gray
Insulation Flammability Rating	UL 94V-0
Insulation Material	Glass Filled Polyester (PBT)
Insulation Resistance	>1 X 10 ⁹ Ohms @ 500 Vdc
Interface Grid	.100" x .100"
Interface Style	Rectangular Plug
Latch/Ejector Type	None
Markings	3M Logo, Part Identification Number, and Contact Position Numbers
Mounting Option	Mounting Flanges - Slotted
Non-Operating Temperature	-55 to 105 Degree Celsius
Number of Contact Rows	2
Number of Contacts	10
Pitch	0.100 Inch
Polarization	Military & Center Bump
Primary Trademark Name	3M
Separable	Yes
Termination Method	Insulation Displacement
Termination Style	Multiple Wires
Withstanding Voltage	1000 Vrms at Sea Level

3M™ Wiremount Plug

.100" × .100" Connector For .050" Pitch Cable

4600 Series



- Shrouded to protect against physical and chemical pin damage
- Open or closed end covers available
- Optional ejector latches
- Accepts flat cable or discrete wire
- Military (with 3518 polarizing key) and centerbump polarization available
- Optional mounting flanges
- Optional metal strain relief
- RoHS* compliant

Date Modified: January 10, 2007

TS-0086-16
Sheet 1 of 4

Physical

Insulation

Material: Glass Filled Polyester (PBT)

Flammability: UL 94V-0

Color: Gray

Contact

Material: Copper Alloy

Plating:

Underplating and U-Slot: 100 μ" [2.54 μm] Nickel

Wiping Area: 30 μ" [0.76 μm] Gold

Wire Accommodation: 26 and 28 AWG Solid and Stranded

Marking: 3M Logo, Part Identification Number, and Contact Position Numbers

Electrical

Current Rating: 1 A

Insulation Resistance: $> 1 \times 10^9 \Omega$ at 500 V_{DC}

Withstanding Voltage: 1000 V_{rms} at Sea Level

Environmental

Temperature Rating: -55°C to +105°C

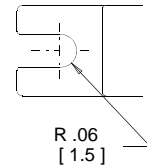
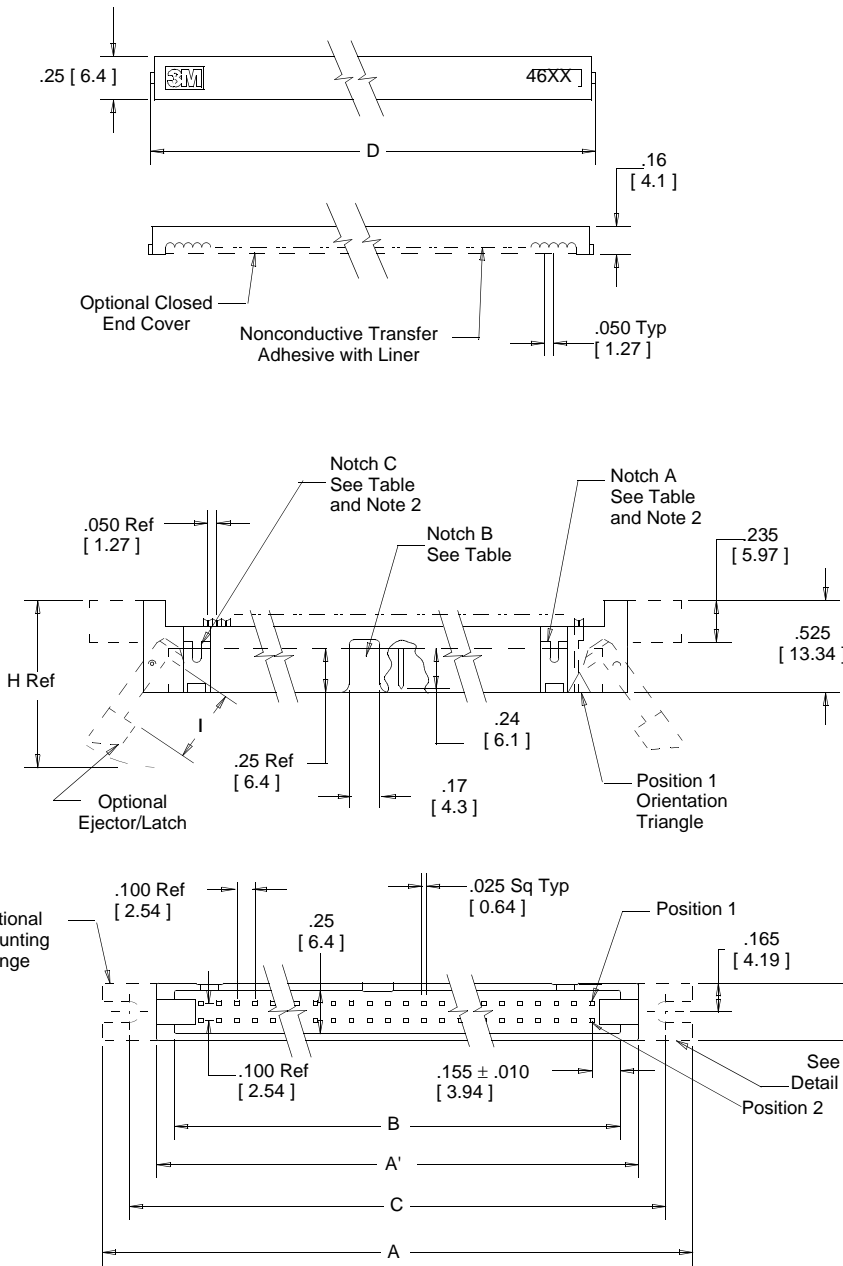
"RoHS compliant" means that the product or part does not contain any of the following substances in excess of the following maximum concentration values in any homogeneous material, unless the substance is in an application that is exempt under RoHS: (a) 0.1% (by weight) for lead, mercury, hexavalent chromium, polybrominated biphenyls or polybrominated diphenyl ethers; or (b) 0.01% (by weight) for cadmium. Unless otherwise stated by 3M in writing, this information represents 3M's knowledge and belief based upon information provided by third party suppliers to 3M.

UL File No.: E68080

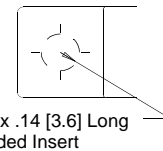
3M™ Wiremount Plug

.100" × .100" Connector For .050" Pitch Cable

4600 Series



Slotted Mounting Flange
46XX-XXX0



Threaded Mounting Flange
46XX-XXX5
Detail A

Inch [mm]

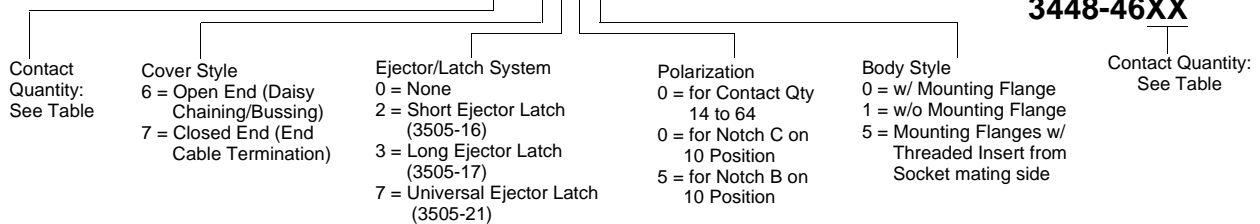
Tolerance Unless Noted			
	.0	.00	.000
inch	±.1	±.01	±.005

[] Dimensions for Reference Only



Ordering Information

46XX-XXXX



Strain Relief
(Order Separately)
3448-46XX

Assembly tools: 3M™ Press, 3640 (or equivalent); 3M™ Locator Plate, 3443-96; 3M™ Platen, 3442-9

TS-0086-16
Sheet 2 of 4

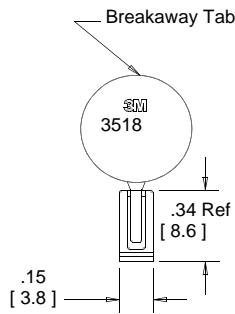
3M™ Wiremount Plug

.100" × .100" Connector For .050" Pitch Cable

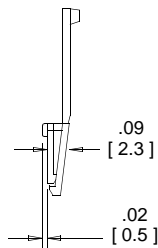
4600 Series

Table 1							
Contact Quantity	Dimensions						Polarizing Notches Provided
	A	A'	B	C	D	E	
10	1.50 [38.1]	0.90 [22.9]	0.71 [18.0]	1.20 [30.5]	0.77 [19.6]	0.85 [21.6]	B or C (See Note 1)
14	1.70 [43.2]	1.10 [27.9]	0.91 [23.1]	1.40 [35.6]	0.97 [24.6]	1.05 [26.7]	BC
16	1.80 [45.7]	1.20 [30.5]	1.01 [25.7]	1.50 [38.1]	1.07 [27.2]	1.15 [29.2]	ABC
20	2.00 [50.8]	1.40 [35.6]	1.21 [30.7]	1.70 [43.2]	1.27 [32.3]	1.35 [34.3]	ABC
24	2.20 [55.9]	1.60 [40.6]	1.41 [35.8]	1.90 [48.3]	1.47 [37.3]	1.55 [41.9]	ABC
26	2.30 [58.4]	1.70 [43.2]	1.51 [38.4]	2.00 [50.8]	1.57 [39.9]	1.65 [46.9]	ABC
30	2.50 [63.5]	1.90 [48.3]	1.71 [43.4]	2.20 [55.9]	1.77 [45.0]	1.85 [47.1]	ABC
34	2.70 [68.6]	2.10 [53.3]	1.91 [48.5]	2.40 [61.0]	1.97 [50.0]	2.05 [52.1]	ABC
36	2.80 [71.1]	2.20 [55.9]	2.01 [51.1]	2.50 [63.5]	2.07 [52.6]	2.15 [54.6]	ABC
40	3.00 [76.2]	2.40 [61.0]	2.21 [56.1]	2.70 [68.6]	2.27 [57.7]	2.35 [59.7]	ABC
50	3.50 [88.9]	2.90 [73.7]	2.71 [68.8]	3.20 [81.3]	2.77 [70.4]	2.85 [72.4]	ABC
60	4.00 [101.6]	3.40 [86.4]	3.21 [81.5]	3.70 [94.0]	3.27 [83.1]	3.35 [85.1]	ABC
64	4.20 [106.7]	3.60 [91.4]	3.41 [86.6]	3.90 [99.1]	3.47 [88.1]	3.55 [90.2]	ABC

Table 2					
Ejector/Latch Option	Part Number	Dimensions			
		F	G	H	I
Short	3505-16	.335 [8.51]	.726 [18.44]	0.92 [23.4]	.41 [10.4]
Long	3505-17	.484 [12.29]	.875 [22.23]	1.07 [27.2]	.56 [14.2]
Universal	3505-21	.484 [12.29]	.809 [20.55]	1.01 [25.65]	.56 [14.2]

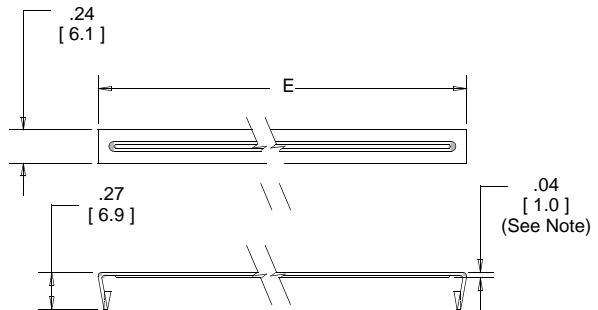


3M Part No 3518



Polarizing Key
(Order Separately)

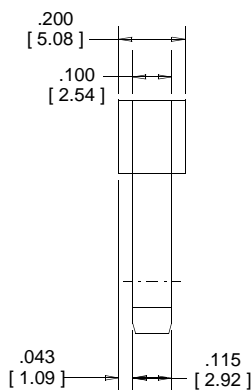
Material: Gray Glass Filled Polyester



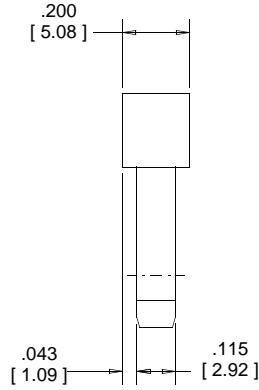
Strain Relief

Material .012" [0.30] Thick
Stainless Steel

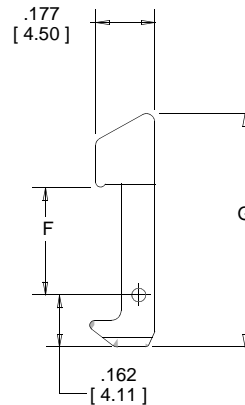
Ejector/Latch
Material: Gray Glass Filled Polyester



3505-21



3505-16
3505-17



Note:
The distance from the strain relief to the connector is equal to .04 [1.0] plus the cable thickness.

TS-0086-16
Sheet 3 of 4

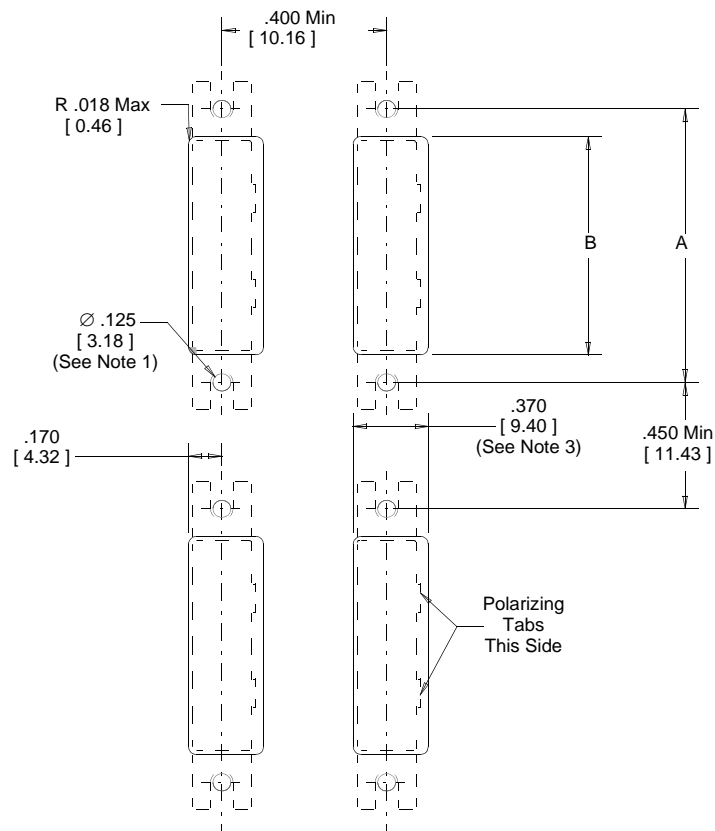
3M™ Wiremount Plug

.100" × .100" Connector For .050" Pitch Cable

4600 Series

Table 3

Contact Quantity	3M Part Number Series	Dimension A	Dimension B
10	4610	1.200 [30.48]	0.945 [24.00]
14	4614	1.400 [35.56]	1.145 [29.08]
16	4616	1.500 [38.10]	1.245 [31.62]
20	4620	1.700 [43.18]	1.445 [36.70]
24	4624	1.900 [48.26]	1.645 [41.78]
26	4626	2.000 [50.80]	1.745 [44.32]
30	4630	2.200 [55.88]	1.945 [49.40]
34	4634	2.400 [60.96]	2.145 [54.48]
36	4636	2.500 [63.50]	2.245 [57.02]
40	4640	2.700 [68.58]	2.445 [62.10]
50	4650	3.200 [81.28]	2.945 [74.80]
60	4660	3.700 [93.98]	3.445 [87.50]
64	4664	3.900 [99.06]	3.645 [92.58]



Rear Mount Panel Cutout

Notes:

1. Accepts #4 pan head machine screw.
2. For a rear mount plug connector with Ejector/Latches the recommended maximum panel thickness is $.125$ [3.18].
3. Without polarizing tabs $.340$ [8.64].

TS-0086-16
Sheet 4 of 4