

Series image - Reference only

EU RoHS	China RoHS				
ELV and RoHS Compliant					
<p>Search Parts in this Series 19164 Series</p> <p>Application Tooling</p> <hr/> <p>Global</p> <table border="1"><thead><tr><th data-bbox="412 1142 808 1182">Description</th><th data-bbox="808 1142 1529 1182">Product #</th></tr></thead><tbody><tr><td data-bbox="412 1182 808 1226">Hand Crimp Tool, UL Approved</td><td data-bbox="808 1182 1529 1226">0640017400</td></tr></tbody></table>		Description	Product #	Hand Crimp Tool, UL Approved	0640017400
Description	Product #				
Hand Crimp Tool, UL Approved	0640017400				

Part Number: 0191640044

Status: Active

Description: Perma-Seal™ Butt Splice for 14-16 AWG Wire

<p>Documents:</p> <ul style="list-style-type: none">Drawing (PDF)Product Literature (PDF)Related Catalog Page (PDF)
<p>Order Products:</p> <ul style="list-style-type: none">Check Distributor InventoryRequest Samples <p>Part Detail: (show all)</p>

- o **General**
- o **Physical**
- o **Electrical**
- o **Material Info**
- o **Reference - Drawing Numbers**

General

Product Family	Splices
Series	19164
Mil-Spec	N/A
Product Name	Butt
Product Name	Perma-Seal™

Physical

Barrel Type	Closed
Flammability	94 V0
Insulation	NiAc(TM)
Packaging Type	Box
Temperature Range - Operating	-55°C to +125°C
Wire Insulation Diameter	5.97mm (.235") max
Wire Size AWG	14
Wire Size AWG	16
Wire Size mm²	1.23 - 1.94

Electrical

CSA	LR18689
UL	E32244
Voltage - Maximum	600V

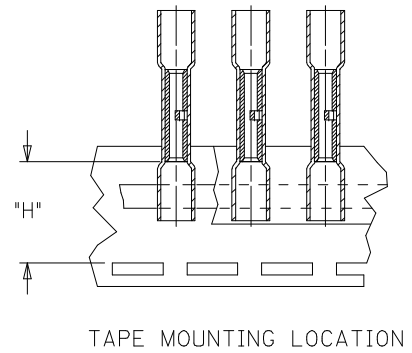
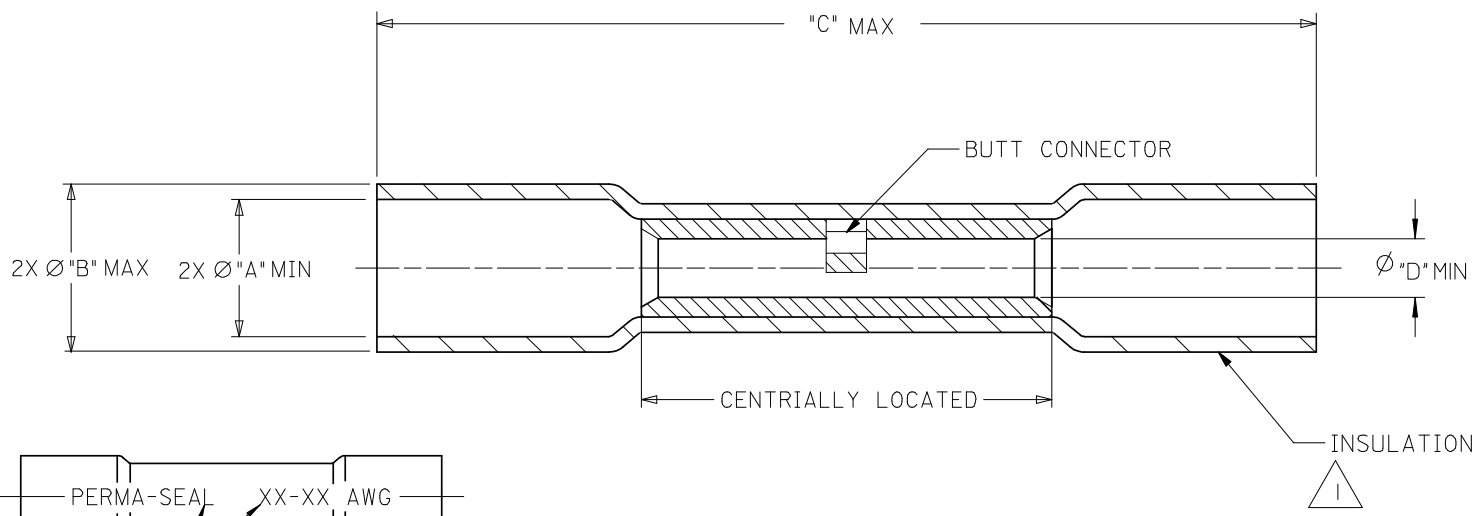
Material Info

Old Part Number	SBB-16-14
-----------------	-----------

Reference - Drawing Numbers

Sales Drawing	SD-19164-017
---------------	--------------

10	9	8	7	6	5	4	3	2	1	
MATERIAL NUMBER	ENGINEERING NUMBER	MYLAR TAPE MATERIAL NUMBER	MYLAR TAPE ENGINEERING NUMBER	PERMA-SEAL COLOR	WIRE AWG 3	"A" (F) MIN	"B" Ø MAX	(F) "C" MAX	"H" ±.010/0.25	"D" MIN
191640013	SAA-22-18	191640014	SAA-22-18T	RED	22-18	.185/4.70	.280/7.11	1.55/39.4	.767/19.48	.059/1.50
191640044	SBB-16-14	191640045	SBB-16-14T	BLUE	16-14	.195/4.95	.308/7.82	1.55/39.4	.727/18.47	.091/2.31
191640056	SC-12-10	191640057	SC-12-10T	YELLOW	12-10	.275/6.99	.383/9.73 (F)	1.80/45.7	.800/23.32	.139/3.53 (F)
191640079	(F) SD-354	---	---	RED	8	.300/7.62	.448/11.38	2.05/52.4	---	.165/4.19



SALES DRAWING

- NOTES,
- 1. INSULATION MATERIAL: HEAT SHRINKABLE TUBING WITH HOTMELT INNER LINER. SEE CHART FOR COLOR.
 - 2. SEAMLESS TIN PLATED COPPER TERMINAL.
 - 3. PRINTED TEXT IN BLACK APPROXIMATELY .12 (3.0) HIGH.
 - (F) 4. PART IS ROHS COMPLIANT.

UPDATE MAX LENGTH EC NO: WNA2008-0006 TIDRWNEHRODAHL 2007/12/20 CHKD: JMAGNE IL 2007/12/29 APPR: JMAGNE IL 2008/01/08	QUALITY SYMBOLS	GENERAL TOLERANCES (UNLESS SPECIFIED)	DIMENSION STYLE	SCALE	DESIGN UNITS	THIRD ANGLE PROJECTION
	▼=0 ▽=0	mm INCH 4 PLACES ± --- ± --- 3 PLACES ± --- ± --- 2 PLACES ± --- ± --- 1 PLACE ± --- ± --- ANGULAR ± ---°	IN/MM	1:1	INCH	DRAWN BY DATE BRE 2002/03/22 CHECKED BY DATE HEB 2002/03/22 APPROVED BY DATE RWD 2002/03/22
	DESCRIPTION	DRAFT WHERE APPLICABLE MUST REMAIN WITHIN DIMENSIONS	MATERIAL NO.	MOLEX INCORPORATED DOCUMENT NO. SD-19164-017		SHEET NO. 1 OF 1
	PERMA-SEAL NIAC BUTT CONNECTORS	SEE CHART	THIS DRAWING CONTAINS INFORMATION THAT IS PROPRIETARY TO MOLEX INCORPORATED AND SHOULD NOT BE USED WITHOUT WRITTEN PERMISSION			