



Series image - Reference only

EU RoHS	China RoHS
ELV and RoHS Compliant	

Search Parts in this Series

19164 Series

Application Tooling

Global

Description

Hand Crimp Tool, UL Approved

Product

0640017400

Part Number: **0191640026**

Status: **Active**

Description: Perma-Seal™ Ring Tongue Terminal for 14-16 AWG Wire, Stud Size 1/4

Documents:

- [Drawing \(PDF\)](#)
- [Product Literature \(PDF\)](#)
- [Related Catalog Page \(PDF\)](#)

Order Products:

- [Check Distributor Inventory](#)
- [Request Samples](#)

Part Detail: (show all)○ **General**○ **Physical**○ **Electrical**○ **Material Info****General**

Product Family	Ring and Spade Terminals
Series	<u>19164</u>
Material - Plating Mating	Tin
Mil-Spec	N/A
Product Name	Perma-Seal™
Type	Ring

Physical

Barrel Type	Closed
Flammability	94 V2
Insulation	NiAc(TM)
Material - Metal	Copper
Packaging Type	Box
Stud Size	1/4" (M6)
Wire Insulation Diameter	5.97mm (.235")
Wire Size AWG	14
Wire Size AWG	16
Wire Size mm²	1.23 - 1.94

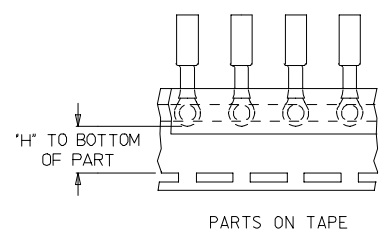
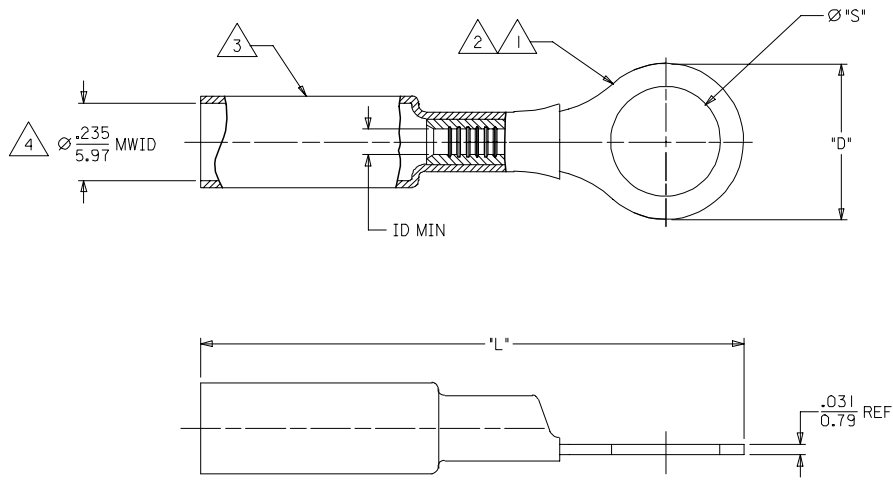
Electrical

CSA	LR18689
UL	E32244

Material Info

Old Part Number	SB-225-14
-----------------	-----------

	13	12	11	10	9	8	7	6	5	4	3	2	1
	MATERIAL NUMBER	ENGINEERING NUMBER	MATERIAL NUMBER ON TAPE	ENGINEERING NUMBER ON TAPE	STUD SIZE	"S" ±.005/0.03	"D" MAX	"H" ±.010/0.25	"L" MAX	ID MIN			
J	191640031	SB-237-04	191640941	SB-237-04T	#4	.119/3.02	.320/8.17	.527/13.39	1.45/36.8	.082/2.08			
	191640032	SB-237-06	191640310	SB-237-06T	#6	.146/3.71	.320/8.17	.527/13.39	1.45/36.8	.082/2.08			
	191640033	SB-237-08	191640311	SB-237-08T	#8	.173/4.39	.320/8.17	.527/13.39	1.45/36.8	.082/2.08			
	191640034	SB-237-10	191640312	SB-237-10T	#10	.198/5.03	.320/8.17	.527/13.39	1.45/36.8	.082/2.08			
I	191640025	SB-225-10	191640940	SB-225-10T	#10	.198/5.03	.475/12.07	.338/8.59	1.63/41.4	.153/3.89			
	191640026	SB-225-14	191640308	SB-225-14T	1/4	.265/6.73	.475/12.07	.338/8.59	1.63/41.4	.153/3.89			
	191640027	SB-225-56	191640309	SB-225-56T	5/16	.328/8.33	.475/12.07	.338/8.59	1.63/41.4	.153/3.89			
	191640020	SB-218-38	191640307	SB-218-38T	3/8	.390/9.91	.475/12.07	.340/8.64	1.63/41.4	.153/3.89			



NOTE:

- 1. TERMINAL MATERIAL: COPPER ALLOY
- 2. FINISH: ELECTRO TIN PLATE.
- 3. INSULATION MATERIAL: HEAT SHRINKABLE TUBING WITH HOTMELT ADHESIVE INNER LINER. COLOR: BLUE
- 4. MWID = MAXIMUM WIRE INSULATION DIAMETER.

SALES DRAWING

REVISED TITLE BLOCK EC NO: ETC2006-0017 DRW: SHADECK 2005/07/25 CHK: RDEROSS 2005/07/26 APPR: RDEROSS 2005/07/27 REVISION DESCRIPTION	QUALITY SYMBOLS	GENERAL TOLERANCES (UNLESS SPECIFIED)	DIMENSION STYLE	SCALE	DESIGN UNITS	THIRD ANGLE PROJECTION															
	$\nabla=0$ $\nabla=0$	<table border="1"> <thead> <tr> <th></th> <th>mm</th> <th>INCH</th> </tr> </thead> <tbody> <tr> <td>4 PLACES</td> <td>± ---</td> <td>± ---</td> </tr> <tr> <td>3 PLACES</td> <td>± ---</td> <td>± ---</td> </tr> <tr> <td>2 PLACES</td> <td>± ---</td> <td>± ---</td> </tr> <tr> <td>1 PLACE</td> <td>± ---</td> <td>± ---</td> </tr> </tbody> </table>		mm	INCH	4 PLACES	± ---	± ---	3 PLACES	± ---	± ---	2 PLACES	± ---	± ---	1 PLACE	± ---	± ---	IN/MM	---	INCH	
		mm	INCH																		
	4 PLACES	± ---	± ---																		
3 PLACES	± ---	± ---																			
2 PLACES	± ---	± ---																			
1 PLACE	± ---	± ---																			
			DRAWN BY: BENDERLE CHECKED BY: HBEITZEL APPROVED BY: RDEROSS	DATE: 2002/08/26 DATE: 2002/08/26 DATE: 2002/08/26	TITLE: RING TONGUE TERMINAL PERMA-SEAL NIAC 16-14 AWG MOLEX INCORPORATED	SHEET NO. 1 OF 1															
		DRAFT WHERE APPLICABLE MUST REMAIN WITHIN DIMENSIONS	SEE CHART		SD-19164-026																