



Series image - Reference only

EU RoHS	China RoHS
ELV and RoHS Compliant	

### Search Parts in this Series

[19164 Series](#)

### Application Tooling

#### Global

#### Description

Hand Crimp Tool, UL Approved

#### Product #

[0640017400](#)

**Part Number:** **0191640004**

**Status:** **Active**

**Description:** Perma-Seal™ Ring Tongue Terminal for 18-22 AWG Wire, Stud Size 1/4

#### Documents:

- [Drawing \(PDF\)](#)
- [Product Literature \(PDF\)](#)
- [Related Catalog Page \(PDF\)](#)

#### Order Products:

- [Check Distributor Inventory](#)
- [Request Samples](#)

**Part Detail: (show all)**○ **General**○ **Physical**○ **Electrical**○ **Material Info****General**

Product Family	Ring and Spade Terminals
Series	<u>19164</u>
Material - Plating Mating	Tin
Mil-Spec	N/A
Product Name	Perma-Seal™
Type	Ring

**Physical**

Barrel Type	Closed
Flammability	94 V2
Insulation	NiAc(TM)
Material - Metal	Copper
Packaging Type	Box
Stud Size	1/4" (M6)
Wire Insulation Diameter	5.97mm (.235")
Wire Size AWG	18
Wire Size AWG	20
Wire Size AWG	22
Wire Size mm <sup>2</sup>	0.38 - 0.96

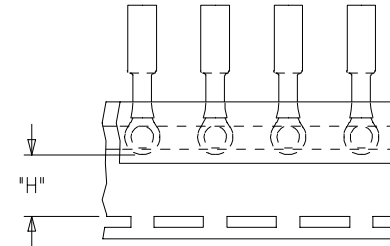
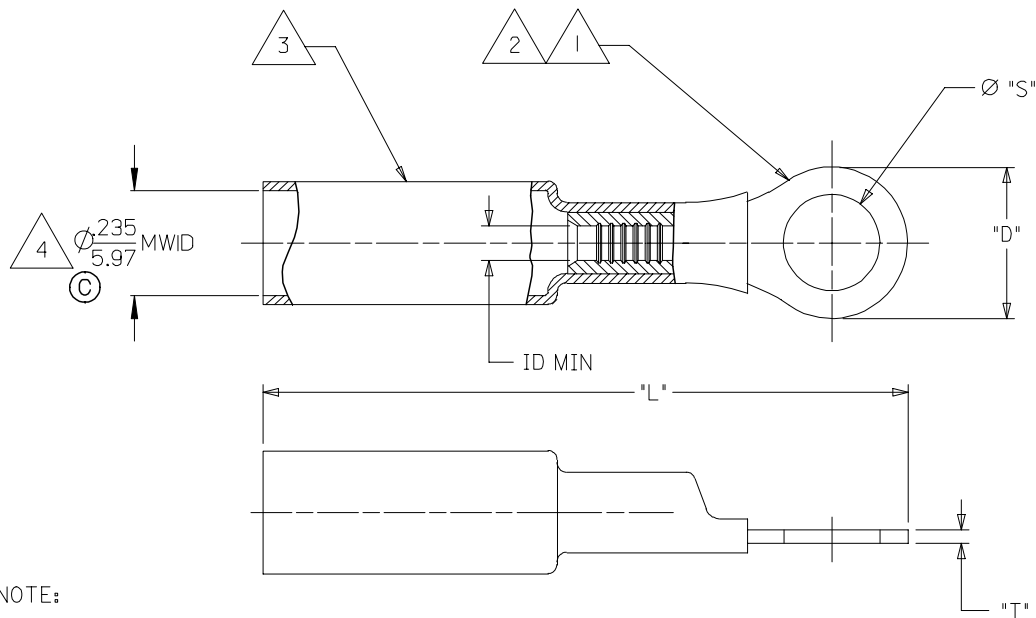
**Electrical**

CSA	LR18689
UL	E32244

**Material Info**

Old Part Number	SA-222-14
-----------------	-----------

	10	9	8	7	6	5	4	3	2	1	
F	MATERIAL NUMBER	ENGINEERING NUMBER	MATERIAL NUMBER ON TAPE	ENGINEERING NUMBER ON TAPE	STUD SIZE	HOLE "S" $\pm 0.005$ $\pm 0.03$	"D" MAX	"H" $\pm 0.10$ $\pm 0.25$	"L" MAX	"T" REF	ID MIN
	191640085	SA-221-06	---	---	#6	$\varnothing .146/3.71$	$\varnothing .32/8.1$	---	1.46/37.1	.028/0.71	.064/1.63
	191640086	SA-221-08	191640419	SA-221-08T	#8	$\varnothing .173/4.39$	$\varnothing .32/8.1$	.534/13.56	1.46/37.1	.028/0.71	.064/1.63
	191640003	SA-221-10	191640306	SA-221-10T	#10	$\varnothing .198/5.03$	$\varnothing .32/8.1$	.534/13.56	1.46/37.1	.028/0.71	.064/1.63
	191640004	SA-222-14	191640844	SA-222-14T	1/4	$\varnothing .265/6.73$	$\varnothing .48/12.2$	.340/8.65	1.66/42.2	.028/0.71	.055/1.40
	191640005	SA-226-38	191640845	SA-226-38T	3/8	$\varnothing .390/9.91$	$\varnothing .54/13.7$	.328/8.33	1.95/49.5	.032/0.81	.055/1.40



PARTS ON TAPE

SALES DRAWING

NOTE:

- 1. TERMINAL MATERIAL: COPPER ALLOY
- 2. FINISH: ELECTRO TIN PLATE.
- 3. INSULATION MATERIAL: HEAT SHRINKABLE TUBING WITH HOTMELT ADHESIVE INNER LINER. COLOR: RED.
- 4. MWID = MAXIMUM WIRE INSULATION DIAMETER.

CHANGED MWID  
 EC NO: ETC2006-0154  
 DRWN:NASAYDEH 2005/12/21  
 CHKD: ILOMASTRO 2005/12/21  
 APPR: JPAMLIK 2005/12/21

QUALITY SYMBOLS  
 ▽=0  
 ▽=0

	GENERAL TOLERANCES (UNLESS SPECIFIED)	
	mm	INCH
4 PLACES	± ---	± ---
3 PLACES	± 0.13	± .005
2 PLACES	± 0.25	± .010
1 PLACE	± ---	± ---
ANGULAR		± ---°

DIMENSION STYLE		SCALE	DESIGN UNITS	THIRD ANGLE PROJECTION
IN/MM		---	INCH	☉
DRAWN BY	DATE	TITLE		
BENDERLE	2005/5/14	RING TONGUE TERMINAL PERMA-SEAL NIAC 22-18 AWG		
CHECKED BY	DATE	MATERIAL NO.		
HBEITZEL	2005/5/14	SEE CHART		
APPROVED BY	DATE	DOCUMENT NO.		
RDEROSS	2005/5/14	SD-19164-006		
MATERIAL NO.		DOCUMENT NO.		SHEET NO.
SEE CHART		SD-19164-006		1 OF 1

THIS DRAWING CONTAINS INFORMATION THAT IS PROPRIETARY TO MOLEX INCORPORATED AND SHOULD NOT BE USED WITHOUT WRITTEN PERMISSION