

Switch Language

English

Need Assistance?

Contact Us
Find a Distributor
Order Samples
Tech Library

Printer-friendly page

Email this page

[Home](#) [Splices](#) [Datasheet](#)

Part Number: 0191600002

Status: Active

Description: Closed-End Insulated Splice for 10-16 AWG Wire

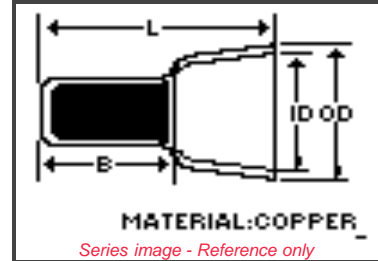
Documents:

Note - Please disable browser pop-up blockers for documents on www.molex.com

[Drawing \(PDF\)](#)

[Product Specification PS-19160-005 \(PDF\)](#)

[Related Catalog Page \(PDF\)](#)



Order Products:

[Check Distributor Inventory](#)

[Add to My Parts](#)

[Request Samples](#)

Part Detail: [\(show all\)](#)

[General](#) [Physical](#) [Electrical](#) [Material Info](#)

General

Product Family	Splices
Series	19160
Mil-Spec	N/A
Product Name	Closed-End Insulated

Physical

Barrel Type	Closed
Flammability	94 V0
Insulation	Nylon (PA)
Packaging Type	Bag
Temperature Range - Operating	105°C
Wire Insulation Diameter	9.65mm (.380") max
Wire Size AWG	10
Wire Size AWG	12
Wire Size AWG	14
Wire Size AWG	16

Electrical

CSA	LR18689
UL	E32244
Voltage - Maximum	600V

Material Info

Old Part Number	NC-1610
-----------------	---------

Reference - Drawing Numbers

Product Specification	PS-19160-005
Sales Drawing	SD-19160-001

EU RoHS

ELV and RoHS Compliant

China RoHS



Need more information on product compliance?

Email productcompliance@molex.com

Please visit the [Contact Us](#) section for any non-product compliance questions.

Search Parts in this Series

[19160 Series](#)

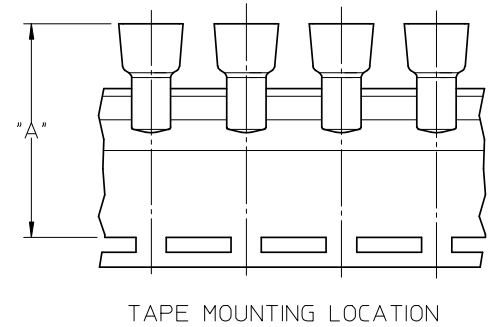
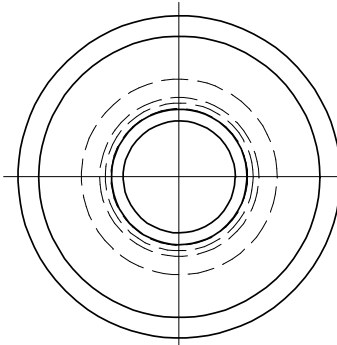
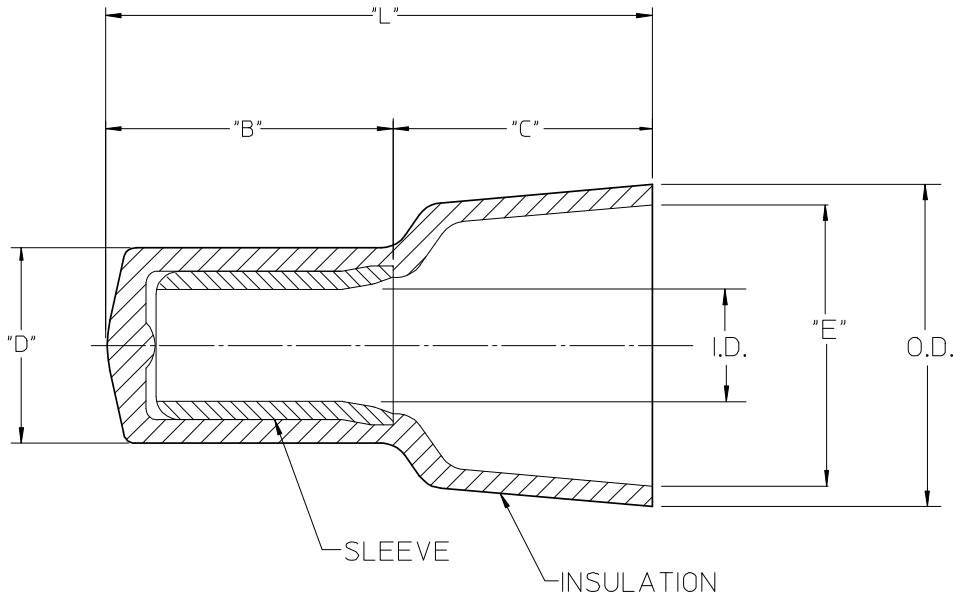
Application Tooling

Tooling specifications and manuals are found by selecting the products below. Crimp Height Specifications are then contained in the Application Tooling Specification document.

Global

Description	Product #
Hand Crimp Tool	0640010600
Crimp Head for the AT-200™ Pneumatic Hand Tool	0640050600
Crimp Head for the AT-200™ Pneumatic Hand Tool, Crimp from Top	0640053500

LOOSE PIECE		TAPE MOUNTED		"L" MAX.	"B" ±.010/0.25	"D" MAX.	"E" MIN.	I.D. MIN.	O.D. MAX.	"A" DIM ±.015/0.38	"C" REF
MATERIAL NO.	ENG. NO.	MATERIAL NO.	ENG. NO.								
191600012	NC-2214	191600070	NC-2214T	.62/15.7Ⓞ	.33/8.4 Ⓞ	.19/4.8	.24/6.1	.09/2.3	.32/8.1	1.543/39.19	.28/7.1 Ⓞ
191600009	NC-2212	191600071	NC-2212T	.76/19.3Ⓞ	.35/8.9 Ⓞ	.23/5.8	.27/6.9	.10/2.5	.36/9.1	1.631/41.43	.39/9.9 Ⓞ
191600002	NC-1610	191600083	NC-1610T	.90/22.8	.39/9.9	.28/7.1	.38/9.6	.15/3.8	.45/11.4	1.750/44.45	.51/13.0
191600024	NC-8	191600028	NC-8T	1.10/27.9Ⓞ	.50/12.7Ⓞ	.36/9.1	.48/12.2	.21/5.3	.57/14.5	1.864/47.35	.60/15.2Ⓞ



NOTES:

- MATERIAL: SLEEVE: TIN-PLATED COPPER
INSULATION: 6/6 NYLON,
NATURAL TRANSLUCENT
- Ⓞ PARTS ARE ROHS COMPLIANT.

SALES DRAWING

CORRECT DIM ERRORS EC NO: WNA2008-0280 DRAWN BY: H.BEITZE CHKD: JMACNEIL APPR: JMACNEIL	QUALITY SYMBOLS	GENERAL TOLERANCES (UNLESS SPECIFIED)	DIMENSION STYLE	SCALE	DESIGN UNITS	THIRD ANGLE PROJECTION	
	▽=0 ▽=0	mm INCH	IN/MM	5:1	INCH		
		4 PLACES ± --- ± --- 3 PLACES ± --- ± --- 2 PLACES ± --- ± --- 1 PLACE ± --- ± ---	DRAWN BY DATE H.BEITZE 04/02/23 CHECKED BY DATE R.DERROSS 04/02/23 APPROVED BY DATE R.DERROSS 04/02/23	TITLE	CLOSED END CONNECTORS NYLON INSULATED		
		ANGULAR ± ---°	MATERIAL NO.	DOCUMENT NO.	MOLEX INCORPORATED		
		DRAFT WHERE APPLICABLE MUST REMAIN WITHIN DIMENSIONS	SEE CHART		SD-19160-001	SHEET NO. 1 OF 1	
			SIZE B	THIS DRAWING CONTAINS INFORMATION THAT IS PROPRIETARY TO MOLEX INCORPORATED AND SHOULD NOT BE USED WITHOUT WRITTEN PERMISSION			