

Switch Language

English

Need Assistance?

- [Contact Us](#)
- [Find a Distributor](#)
- [Order Samples](#)
- [Tech Library](#)

[Printer-friendly page](#)

[Email this page](#)

[Home](#) [Datasheet](#)

Part Number: 0191300009

Status: Active

Description: BLOCK SPADE INSULKRIMP (A-238-06X)

Documents:

Note - Please disable browser pop-up blockers for documents on www.molex.com

[Drawing \(PDF\)](#)

Order Products:

[Check Distributor Inventory](#) [Add to My Parts](#)

Part Detail: [\(show all\)](#)

[Physical](#) [Electrical](#) [Material Info](#)

Product Family Molex Parts
 Series [19130](#)

Physical

Flammability 94-V2

Electrical

CSA LR18689
 UL E32244

Material Info

Old Part Number A-238-06X



EU RoHS

ELV and RoHS Compliant

China RoHS



Need more information on product compliance?

Email productcompliance@molex.com

Please visit the [Contact Us](#) section for any non-product compliance questions.

Search Parts in this Series

[19130](#) Series

NOTES:

① MAT'L: COPPER

PLATING: ELECTRO-TIN (.0003 MIN.)

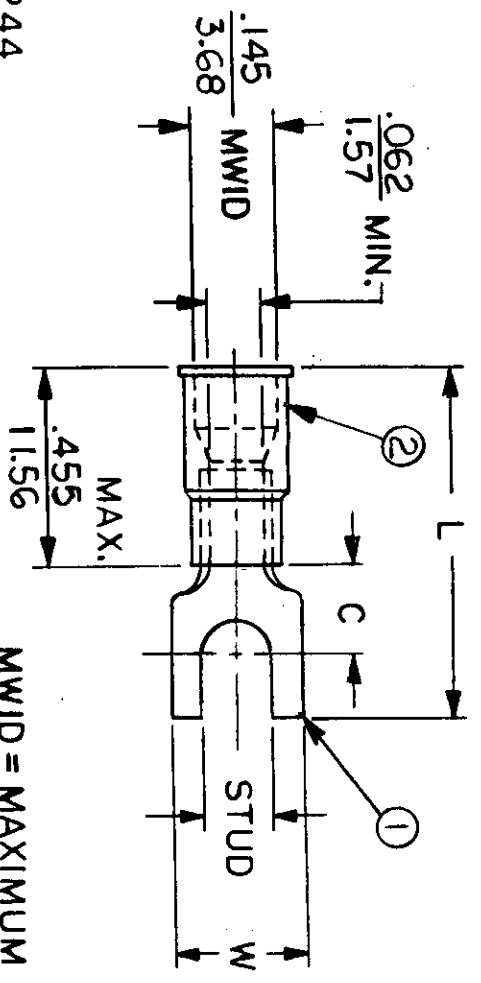
② INSULATION: MOLDED PVC (RED)

STUD SIZES: (+.005)

- 02 = .094
- 04 = .119
- 06 = .146
- 08 = .173
- 10 = .198
- 14 = .265
- 56 = .328
- 38 = .390

"UL" LISTING #E32244
 "CSA" LISTING #18689

ALL DIMENSIONS = INCHES
 M M



MWID = MAXIMUM WIRE
 INSULATION DIAMETER
 WIRE SIZE: 22-18 AWG
 25-1.5 MM²

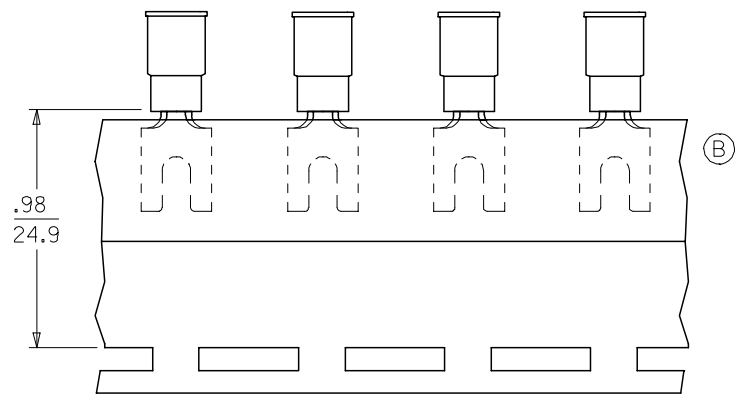
PART NUMBER	"W" ±.010	"C" MIN.	"L" MAX.	"ID" MIN	AVAILABLE STUD SIZES	STOCK THICKNESS
A-234-	$\frac{.291}{7.39}$	$\frac{.207}{5.26}$	$\frac{.835}{21.21}$	$\frac{.062}{1.57}$	04X, 06X, 08X	$\frac{.028^{+.001}}{.71}$
A-238-	$\frac{.245}{6.22}$	$\frac{.207}{5.26}$	$\frac{.835}{21.21}$	$\frac{.062}{1.57}$	04X, 06X	$\frac{.028^{+.001}}{.71}$
A-291-	$\frac{.420}{10.67}$	$\frac{.235}{5.97}$	$\frac{.934}{23.72}$	$\frac{.054}{1.37}$	06X, 08X, 10X	$\frac{.031^{+.001}}{.79}$
A-294-	$\frac{.375}{9.53}$	$\frac{.235}{5.97}$	$\frac{.936}{23.77}$	$\frac{.054}{1.37}$	06X, 08X, 10X	$\frac{.031^{+.001}}{.79}$
A-297-	$\frac{.325}{8.26}$	$\frac{.235}{5.97}$	$\frac{.936}{23.77}$	$\frac{.054}{1.37}$	04X, 06X, 08X	$\frac{.031^{+.001}}{.79}$

DIMENSIONAL TOLERANCES UNLESS OTHERWISE SPECIFIED		REFERENCE	SCALE:	NTS	DATE	TITLE:
FRAC.	DEC.	ANG.	DRWN. BY:	JJ	10-29-84	SPADE TONGUE TERMINAL INSULKRIMP 200-SERIES
±	±	±	CHKD. BY:	GZ	11-9-84	
			APPRD. BY:			

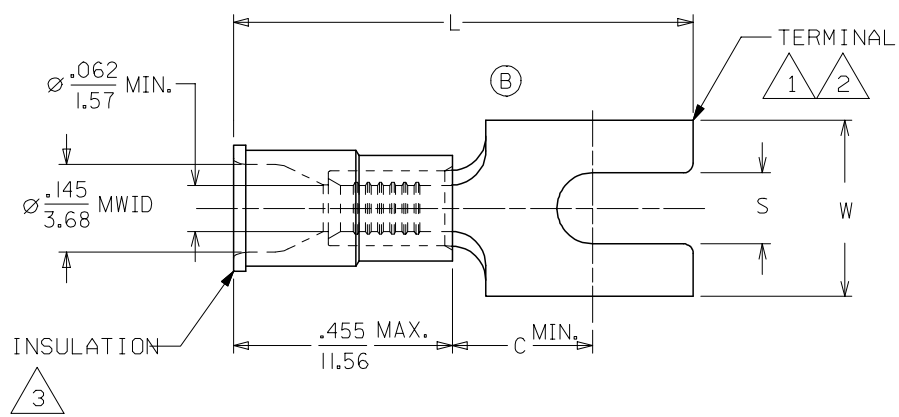
DWG. NO.	A	CUSTOMER DWG.
----------	---	---------------



MATERIAL NUMBER	ENGINEERING NUMBER	STUD SIZE	"S" ±.005/(0.13)	"W" ±.010/(0.25)	"C" MIN.	"L" MAX.	PACKAGING
191300008	A-238-04X	4	.119/(3.02)	.245/(6.22)	.207/(5.26)	.835/(21.21)	LOOSE PIECE
191300009	A-238-06X	6	.146/(3.71)	.245/(6.22)	.207/(5.26)	.835/(21.21)	
191420058	A-238-04XT	4	.119/(3.02)	.245/(6.22)	.207/(5.26)	.835/(21.21)	TAPE MOUNTED
191420009	A-238-06XT	6	.146/(3.71)	.245/(6.22)	.207/(5.26)	.835/(21.21)	



PARTS ON TAPE



- NOTES:
- MATERIAL: COPPER .029/.028(0.74/0.71) THICK.
 - PLATING: ELECTRO-TIN.
 - INSULATION: MOLDED PVC (RED).
 - MWID=MAXIMUM WIRE INSULATION DIAMETER.

REVISED TO BLOCK SPADE
 EC NO: ETC2006-0125
 DRW:NEHLE 2005/12/02
 CHK:DROESS 2005/12/06
 APPR:RDEROSS 2005/12/06

REV	DESCRIPTION
1	QUALITY SYMBOLS
2	QUALITY SYMBOLS

GENERAL TOLERANCES (UNLESS SPECIFIED)	
	INCH
4 PLACES	± .005
3 PLACES	± .004
2 PLACES	± .003
1 PLACE	± .002
ANGULAR ±1/2°	

DIMENSION STYLE	
IN/MM	
DRAWN BY	DATE
BRE	2001/08/15
CHECKED BY	DATE
RWD	2001/08/15
APPROVED BY	DATE
RWD	2001/08/15

SCALE	DESIGN UNITS	THIRD ANGLE PROJECTION
---	INCH	☉
TITLE		
BLOCK SPADE TONGUE TERMINAL, INSULKRIMP, 22-18 AWG		
MATERIAL NO. SEE CHART		
DOCUMENT NO. SD-19142-002		
SHEET NO. 1 OF 1		