

Series image - Reference only

<p><u>EU RoHS</u> ELV and RoHS Compliant</p>	<p><u>China RoHS</u></p>
--	--------------------------

Search Parts in this Series

19073 Series

Application Tooling

Global

Description	Product #
Crimp Head for the AT-200™ Pneumatic Hand Tool	<u>0640050100</u>
Hand Crimp Tool	<u>0640010100</u>
Hand Crimp Tool	<u>0640011200</u>
Crimp Head for the AT-200™ Pneumatic Hand Tool	<u>0640051200</u>

Part Number: **0190730011**

Status: **Active**

Description: Avikrimp™ Ring Tongue Terminal for 18 to 22 AWG Wire, Stude Size 6, Length 22.00mm (.866")

Documents:

- [Drawing \(PDF\)](#)
- [Related Catalog Page \(PDF\)](#)

Order Products:

}

- [Check Distributor Inventory](#)
- [Request Samples](#)

{

○

Part Detail: [\(show all\)](#)○ **General**○ **Physical**○ **Electrical**○ **Material Info**○ **Reference - Drawing Numbers****General**

Product Family	Ring and Spade Terminals
Series	19073
Material - Plating Mating	Tin
Mil-Spec	N/A
Plating min: Mating (uin)	100
Plating min: Mating (um)	2.5
Plating min: Termination (uin)	100
Plating min: Termination (um)	2.5
Product Name	Avikrimp™
Type	Ring

Physical

Barrel Type	Closed
Breakaway	No
Flammability	94 V0
Insulation	Nylon (PA)
Material - Metal	Copper
Number of Rows	0
Packaging Type	Box
Stud Size	5-6 (M3-3.5)
Wire Insulation Diameter	3.60mm (.142") max.
Wire Size AWG	18
Wire Size AWG	20
Wire Size AWG	22
Wire Size mm ²	0.35 - 0.80

Electrical

CSA	LR18689
UL	E32244

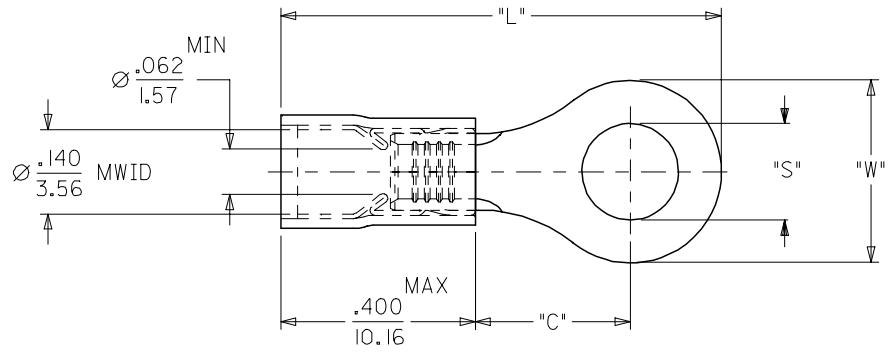
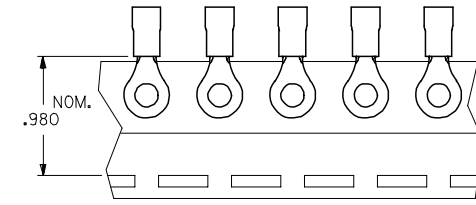
Material Info

Old Part Number	AA-821-06
-----------------	-----------

Reference - Drawing Numbers

Sales Drawing	SD-19073-002
---------------	--------------

MATERIAL NUMBER	ALTERNATE NUMBER	STUD SIZE	"S"	"W"	⊕ "C" MIN	⊕ "L" MAX	PACKAGING
190730005	AA-820-02	2	.094/(2.38)	.23(5.7)	.16(4.0)	.71(18.0)	LOOSE PIECE
190730007	AA-820-04	4	.119/(3.02)	.23(5.7)	.16(4.0)	.71(18.0)	
190730009	AA-820-06	6	.146/(3.71)	.23(5.7)	.16(4.0)	.71(18.0)	
190730011	AA-821-06	6	.146/(3.71)	.31(7.9)	.27(6.9)	.87(22.0)	
190730013	AA-821-08	8	.173/(4.39)	.31(7.9)	.27(6.9)	.87(22.0)	
190730017	AA-821-10	10	.198/(5.03)	.31(7.9)	.27(6.9)	.87(22.0)	TAPE MOUNTED
190730020	AA-821-209	5MM	.209/(5.30)	.31(7.9)	.27(6.9)	.87(22.0)	
190730006	AA-820-02T	2	.094/(2.38)	.23(5.7)	.16(4.0)	.71(18.0)	
190730008	AA-820-04T	4	.119/(3.02)	.23(5.7)	.16(4.0)	.71(18.0)	
190730010	AA-820-06T	6	.146/(3.71)	.23(5.7)	.16(4.0)	.71(18.0)	
190730012	AA-821-06T	6	.146/(3.71)	.31(7.9)	.27(6.9)	.87(22.0)	
190730015	AA-821-08T	8	.173/(4.39)	.31(7.9)	.27(6.9)	.87(22.0)	
190730019	AA-821-10T	10	.198/(5.03)	.31(7.9)	.27(6.9)	.87(22.0)	
190730021	AA-821-209T	5MM	.209/(5.30)	.31(7.9)	.27(6.9)	.87(22.0)	



- NOTES:
 1. MATERIAL: COPPER
 PLATING: ELECTROPLATE TIN
 2. FERRULE: TIN-PLATED BRASS
 3. INSULATION: RED NYLON 94V2.
 4. MWID=MAXIMUM WIRE INSULATION DIA.
 5. ALL DIMENSIONS IN INCHES/(MM).
 6. ASSEMBLY IS ROHS COMPLIANT.

REV	DESCRIPTION
1	REV CHART DIM. C & L
2	EC NO: ETC2007-0223
3	DRW: NEHLE 2006/12/04
4	CHKD: JMACNEIL 2006/12/04
5	APPR: JMACNEIL 2006/12/06

QUALITY SYMBOLS
◀=0
◀=0

GENERAL TOLERANCES (UNLESS SPECIFIED)	
	INCH
4 PLACES	± .005
3 PLACES	± .005
2 PLACES	± .01
1 PLACE	± .025
ANGULAR ±1/2°	

DIMENSION STYLE	
IN/MM	
DRAWN BY	DATE
HEB	2000/09/08
CHECKED BY	DATE
RWD	2000/09/08
APPROVED BY	DATE
RWD	2000/09/08

SCALE	DESIGN UNITS	THIRD ANGLE PROJECTION
4:1	INCH	
TITLE		
RING TONGUE TERMINAL AVIKRIMP 800 SERIES		
MATERIAL NO. DATE		
SEE CHART 2000/09/08		
DOCUMENT NO.		SHEET NO.
SD-19073-002		1 OF 1
THIS DRAWING CONTAINS INFORMATION THAT IS PROPRIETARY TO MOLEX INCORPORATED AND SHOULD NOT BE USED WITHOUT WRITTEN PERMISSION		